

PRODUCT NO.	CUSTOMER P/N.
10083495-001LF	925001252
10083495-002LF	100749735



NOTES:

1. MATERIALS:

A. HOUSING:

HIGH TEMPERATURE THERMOPLASTIC MATERIAL (LCP), UL 94V-0,  
COLOR: BLACK.

B. CONTACTS : PHOSPHOR BRONZE, BRASS C2600 OR BRASS C26800.

2. FINISH:

2.1) SATA SIGNAL PINS: (MATING SIDE)

1.27μm MINIMUM, 2.54μm MAXIMUM NICKEL UNDER  
PLATE WITH 0.38μm MINIMUM GOLD IN CONTACT AREA AND  
1.91μm MINIMUM 100% MATTE TIN (LEAD FREE) ON SOLDER TAIL.

2.2) 2mm PINS (MATING SIDE)

1.27μm MINIMUM, 2.54μm MAXIMUM NICKEL UNDER  
PLATE WITH 0.076μm MINIMUM GOLD IN CONTACT AREA AND  
1.91μm MINIMUM 100% MATTE TIN (LEAD FREE)  
ON SOLDER TAIL.

3. PART MARKING: DUAL CUSTOMER P/NS., VENDOR ID AND DATE CODE SHALL  
BE MARKED ON THE SURFACE OF THE CONNECTOR APPROXIMATELY WHERE SHOWN.

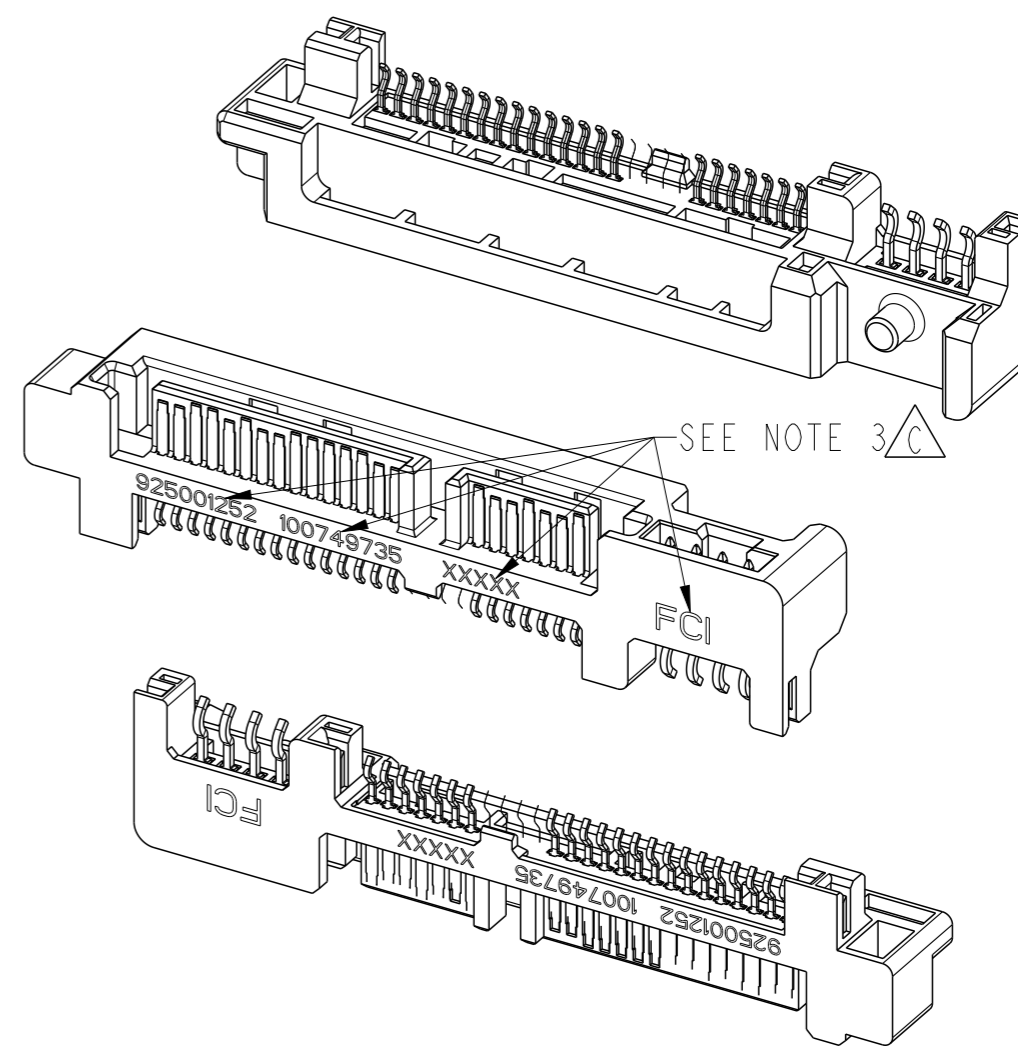
4. PRODUCT SPECIFICATION: GS-12-194

5. PACKAGING SPECIFICATION: GS-14-450

6. THIS PRODUCT MEETS EUROPEAN UNION DIRECTIVES AND OTHER  
COUNTRY REGULATIONS AS DESCRIBED IN GS-47-0004

7. THE HOUSING WILL WITHSTAND EXPOSURE TO 260°C PEAK TEMPERATURE FOR  
10 SECONDS IN A CONVECTION, INFRA-RED OR VAPOR PHASE REFLOW OVEN

8. A SYMBOL WILL BE NEXT TO ANY DIMENSION, VIEW OR NOTE  
WHICH HAS BEEN MODIFIED WITH THE CURRENT DRAWING REVISION.

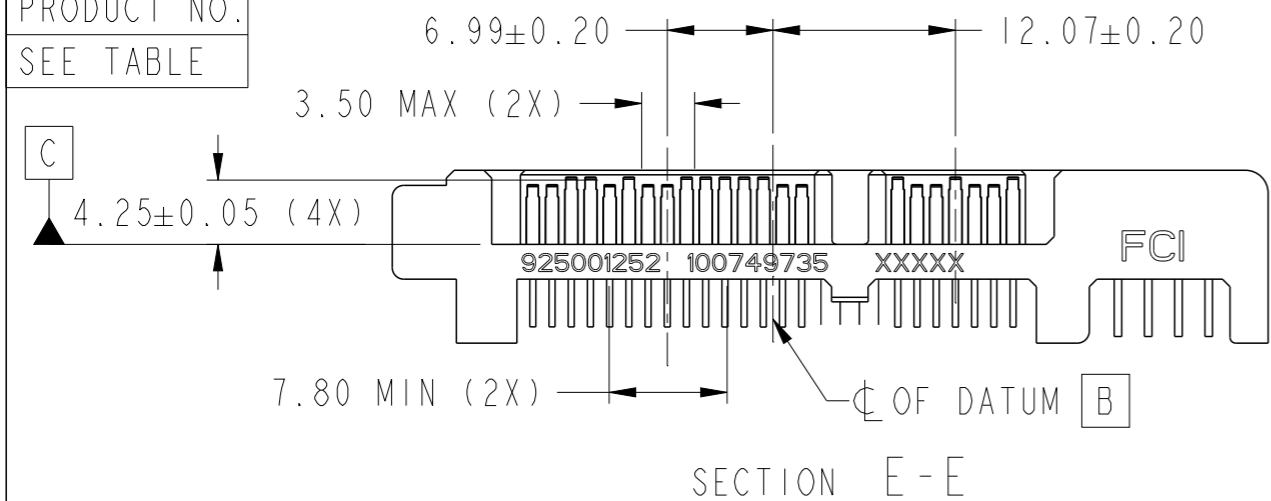


Copyright FCI.

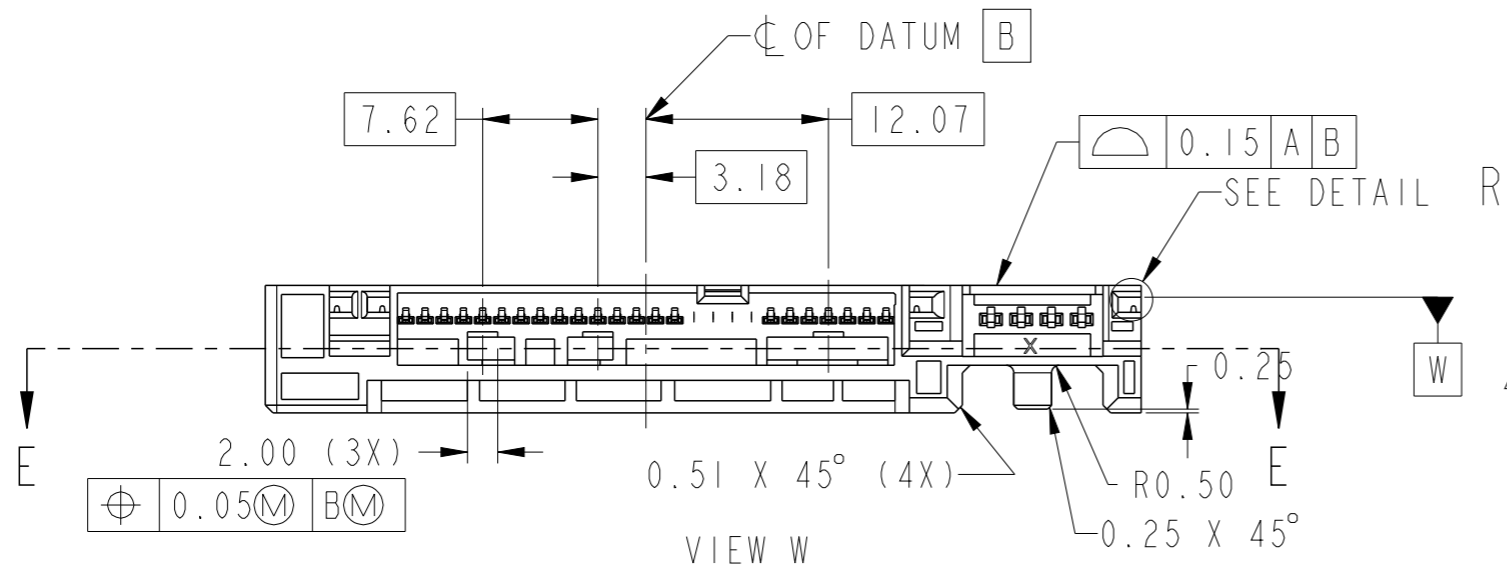
spec ref	-	dr	Jeffrey Lim	2014/07/10	projection	MM	size	A3	scale	2:1	
tolerance std	ISO 406 ISO 1101	eng	Jeffrey Lim	2014/07/15		← →	ecn no	ELX-S-18288-1			
	TOLERANCES UNLESS OTHERWISE SPECIFIED	chr	-	-				rel level	Released		
surface	✓	appr	Chen-Hong Tan	2014/07/17	product family	-	dwg no	10083495		rev	C
	linear				www.fci.com	cat. no.	-	Product - Customer Drw	sheet 1 of 4		
	angular										



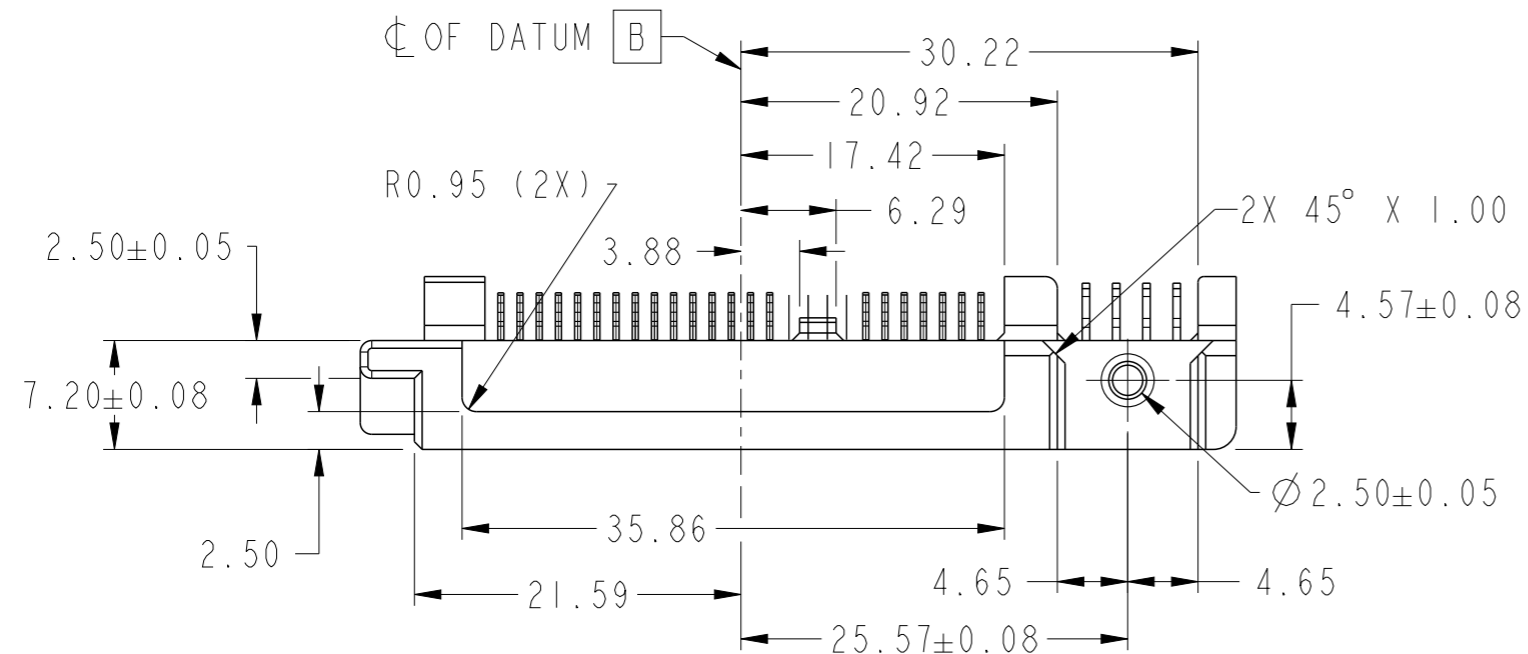
PRODUCT NO.  
SEE TABLE



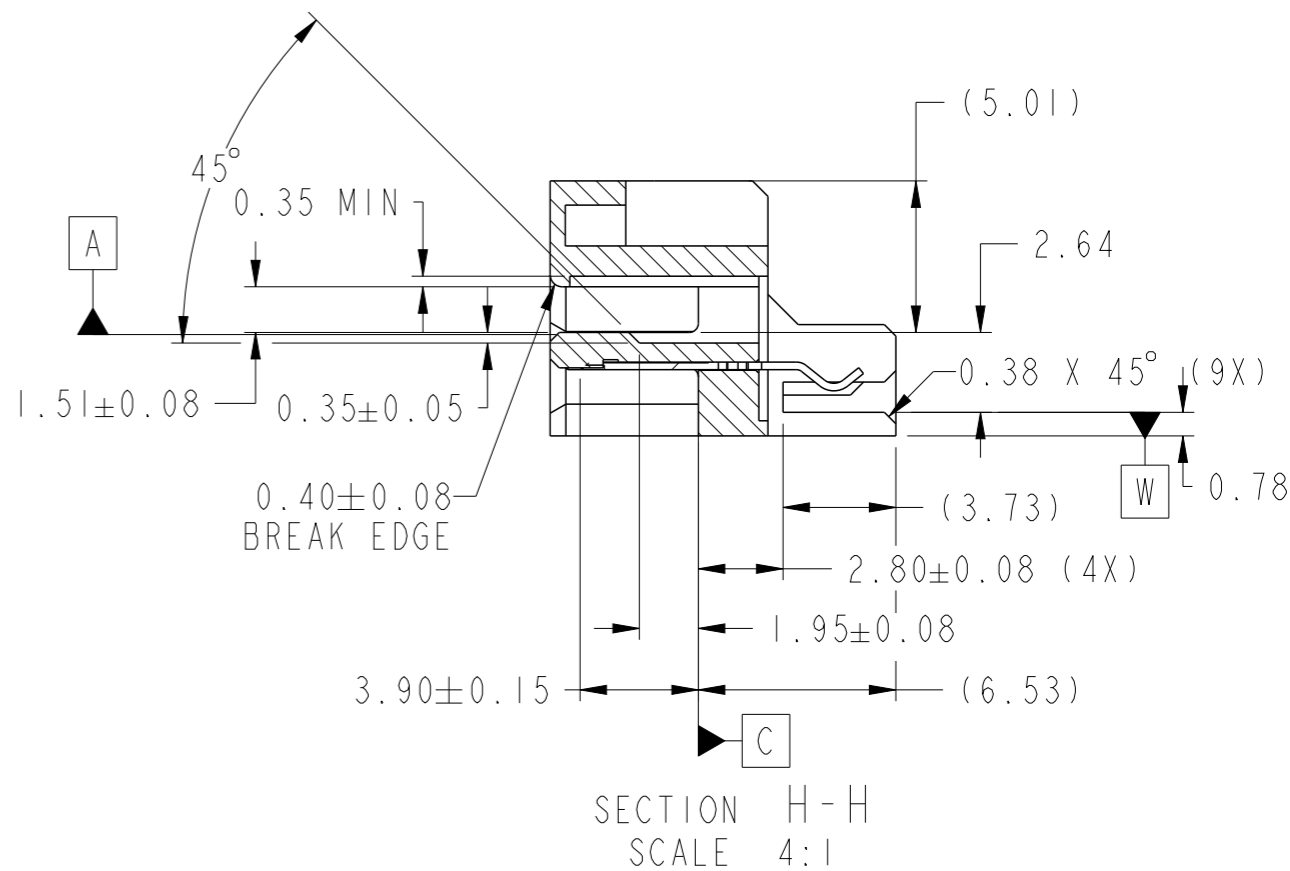
SECTION E-E



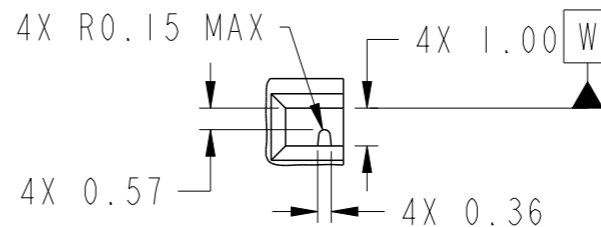
VIEW W



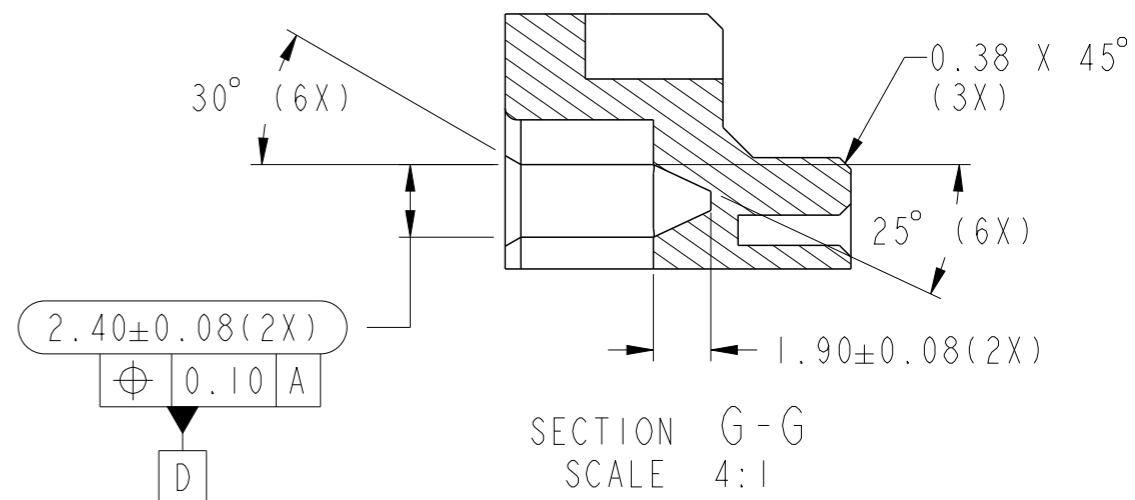
SECTION G-G  
SCALE 4:1



SECTION H-H  
SCALE 4:1



DETAIL R  
SCALE 5:1



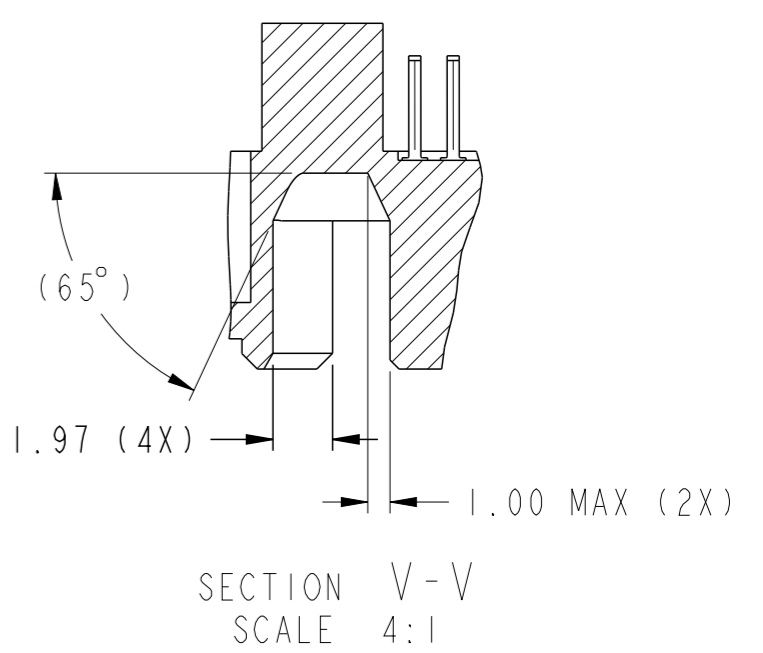
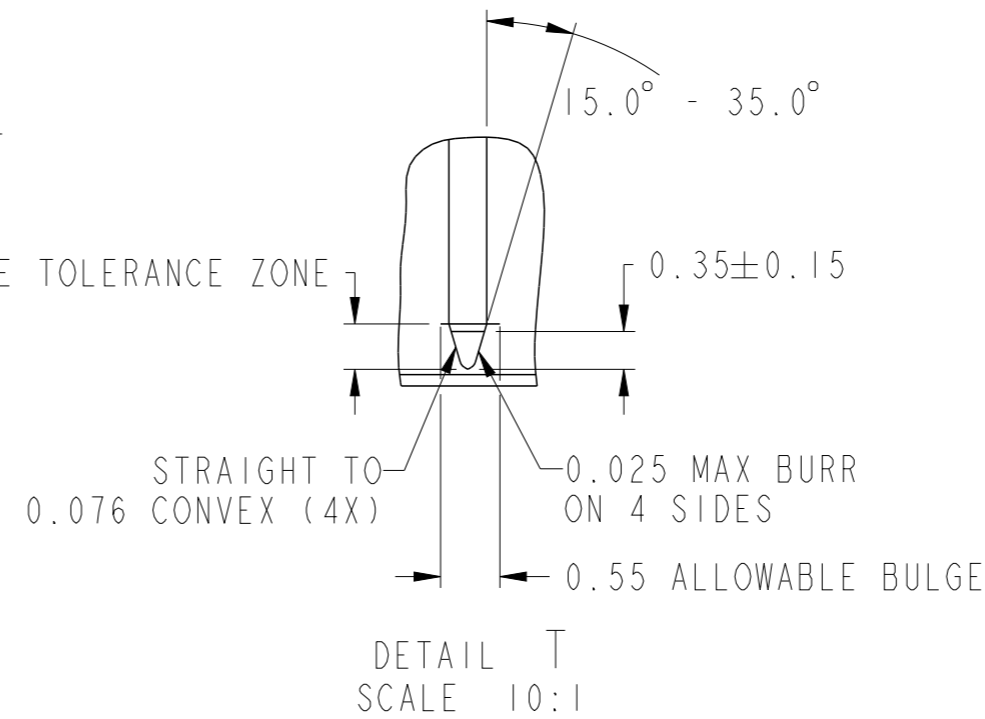
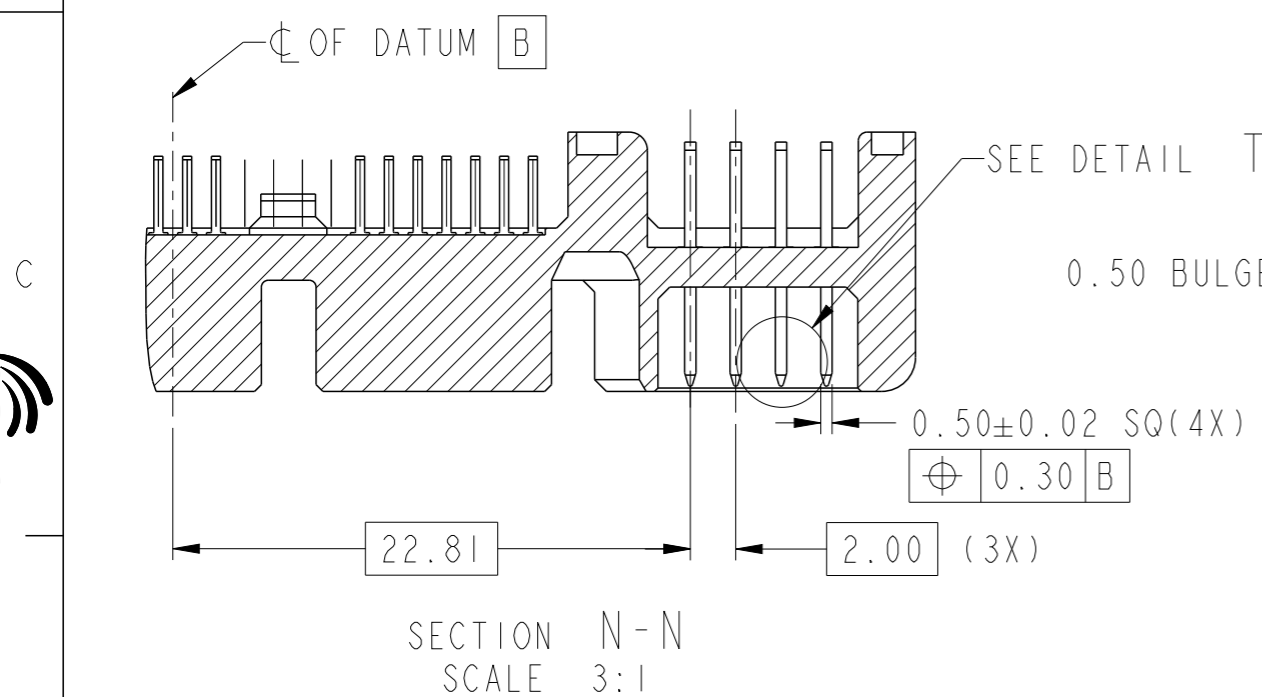
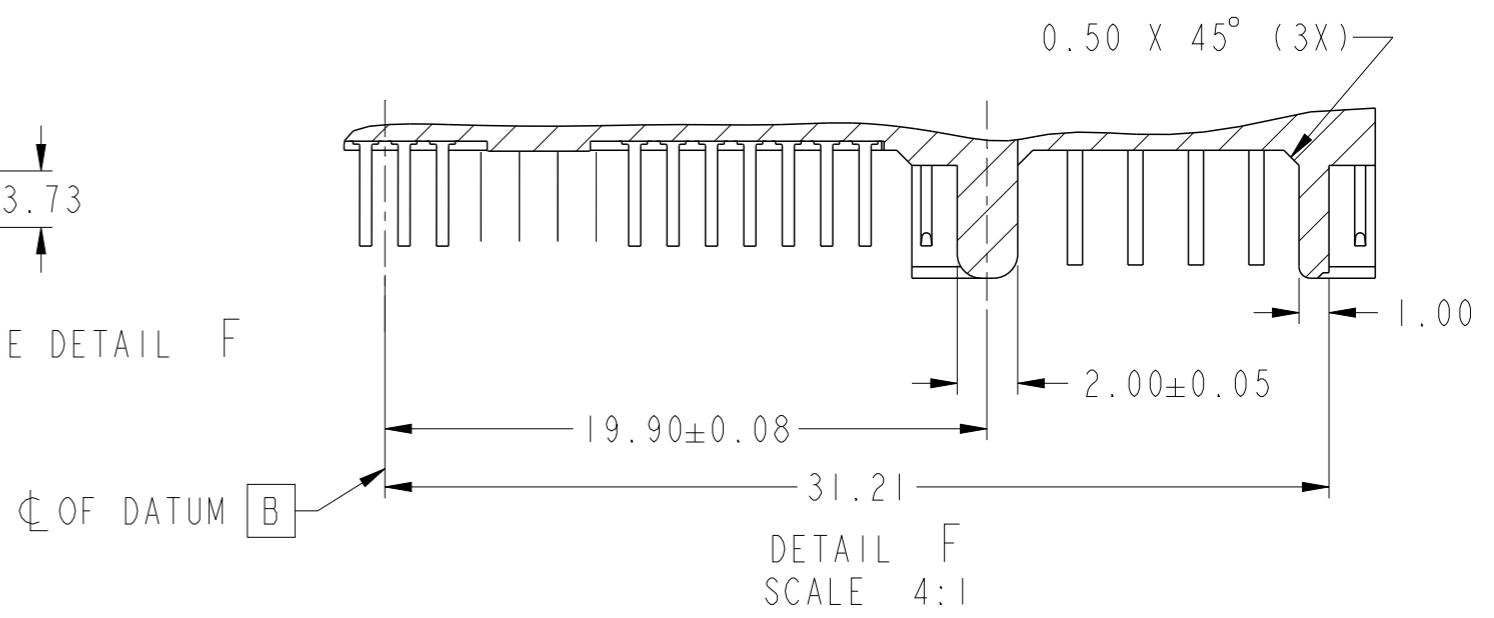
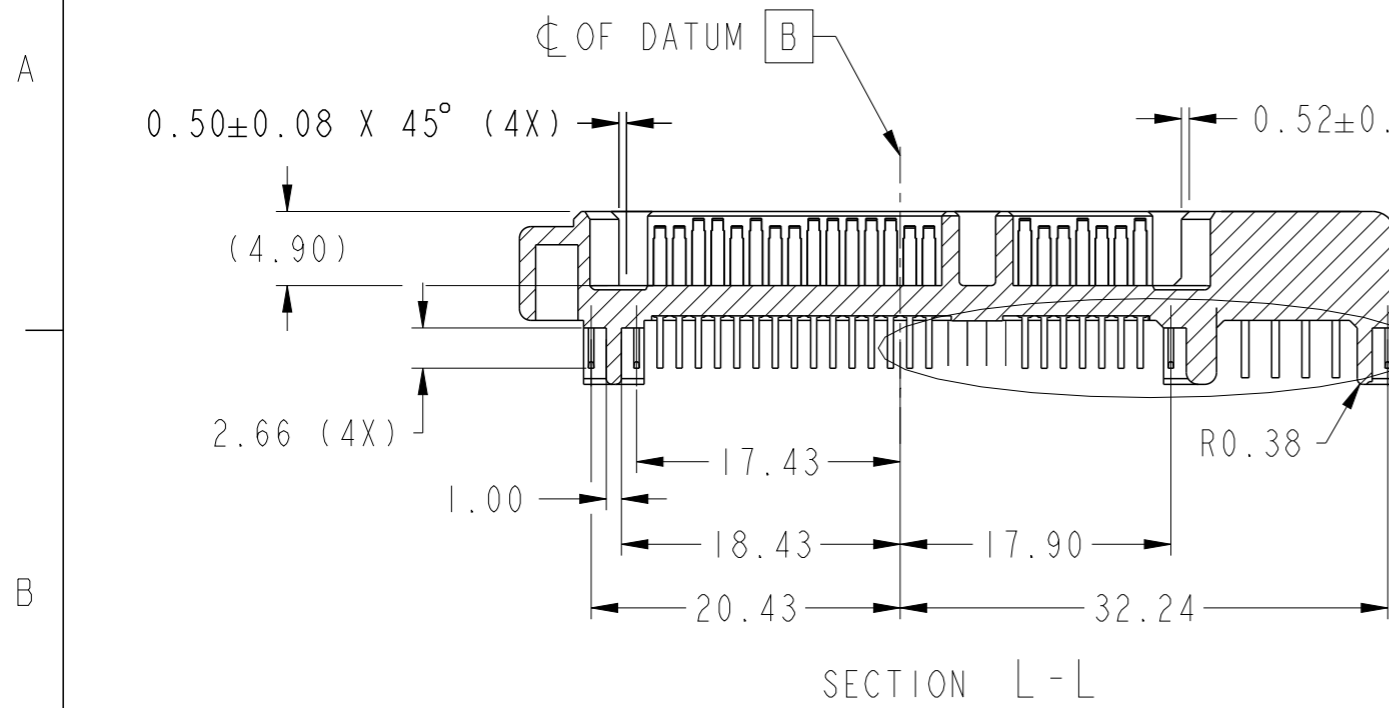
SECTION G-G  
SCALE 4:1

spec ref	-	dr	Jeffrey Lim	2014/07/10	projection	MM	size	A3	scale	2:1
tolerance std	ISO 406 ISO 1101	eng	Jeffrey Lim	2014/07/15			ecn no	-	rel level	Released
TOLERANCES UNLESS OTHERWISE SPECIFIED		chr	-	2014/07/17						
surface	ISO 1302	appr	Chen-Hong Tan	2014/07/17	SATA COMBO PLUG		dwg no	10083495	rev	C
	linear	0.X	±-		www.fci.com	cat. no.	-	Product - Customer Drw	sheet 3 of 4	
		0.XX	±0.10							
		0.XXX	±-							
	angular	0°	±2°							



Copyright FCI.

PRODUCT NO.	CUSTOMER P/N.
10083495-001LF	925001252
10083495-002LF	100749735



Copyright FCI.

spec ref	-	dr	Jeffrey Lim	2014/07/10	projection	MM	size	A3	scale	2:1
tolerance std	ISO 406 ISO 1101	eng	Jeffrey Lim	2014/07/15			ecn no	ELX-S-18288-1	rel level	Released
TOLERANCES UNLESS OTHERWISE SPECIFIED		chr	-	2014/07/17						
surface	ISO 1302	appr	Chen-Hong Tan	2014/07/17			dwg no	10083495	rev	C
	linear	0.X	±-							
		0.XX	±0.10							
		0.XXX	±-							
	angular	0°	±2°							
		www.fci.com		cat. no.	-		Product - Customer Drw		sheet 4 of 4	