



30mm BlackMax, Epoxy Coated Corrosion Resistant Complete Metal Unit  
Illuminated Twist-to-Release Transformer type, 240V AC Incandescent Lamp  
Mushroom Head Cap Small 1.79" (45 mm) Plastic Cap, Green 2 Position  
Maintained, Twist-to-Release with 1 N.O. - 1 N.C. Heavy Duty Contacts,  
A600/P600 UL Listed, CSA Certified NEMA 1,3,3R,4,4X,12,13 & Automotive  
Standards

Enclosure	
number of command points	1
delivery state as a kit	No
Actuator	
product extension optional light source	Yes
material of the actuating element	plastic
number of contact modules	1
type of unlocking device	rotate-to-unlatch mechanism
number of switching positions	2
Front ring	
product component front ring	Yes
design of the front ring	standard
material of the front ring	metal
color of the front ring	black
Holder	
material of the holder	metal
Contact block/ lampholder	
number of lampholders	1
Display	
number of LED modules	0
General technical data	
product function positive opening	Yes
product component	
• lamp transformer	Yes
• light source	Yes
type of voltage	
• of the operating voltage	AC
• of the input voltage	AC
surge voltage resistance rated value	4 kV
protection class IP	IP66
• of the terminal	IP20
thermal current	10 A
Supply voltage	
type of voltage of the supply voltage of the light source	AC
supply voltage of the light source at AC at 60 Hz	
• rated value	6 V
Auxiliary circuit	
number of NC contacts for auxiliary contacts	1
number of NO contacts for auxiliary contacts	1
operational current at AC-15	

- at 110 V rated value
- at 230 V rated value
- at 400 V rated value
- at 500 V rated value

60 A  
30 A  
15 A  
12 A

#### Inputs/ Outputs

output voltage 1 of the lamp transformer rated value 6 V

#### Connections/ Terminals

type of electrical connection screw-type terminals

tightening torque of the screws in the bracket 20 N·m

tightening torque [lbf·in] with screw-type terminals 8 ... 8 lbf·in

#### Lamp

color of the light source clear

#### Ambient conditions

ambient temperature

- during operation -35 ... +70 °C
- during storage -40 ... +85 °C

#### Installation/ mounting/ dimensions

shape of the installation opening round

#### Certificates/ approvals

#### Further information

**Siemens has decided to exit the Russian market (see here).**

<https://press.siemens.com/global/en/pressrelease/siemens-wind-down-russian-business>

**Siemens is working on the renewal of the current EAC certificates.**

Please contact your local Siemens office on the status of validity of the EAC certification if you intend to import or offer to supply these products to an EAC relevant market (other than the sanctioned EAEU member states Russia or Belarus).

**Information on the packaging**

<https://support.industry.siemens.com/cs/ww/en/view/109813875>

**Information- and Downloadcenter (Catalogs, Brochures,...)**

<https://www.siemens.com/ic10>

**Industry Mall (Online ordering system)**

<https://mall.industry.siemens.com/mall/en/en/Catalog/product?mlfb=US2:52BR8HSA>

**Cax online generator**

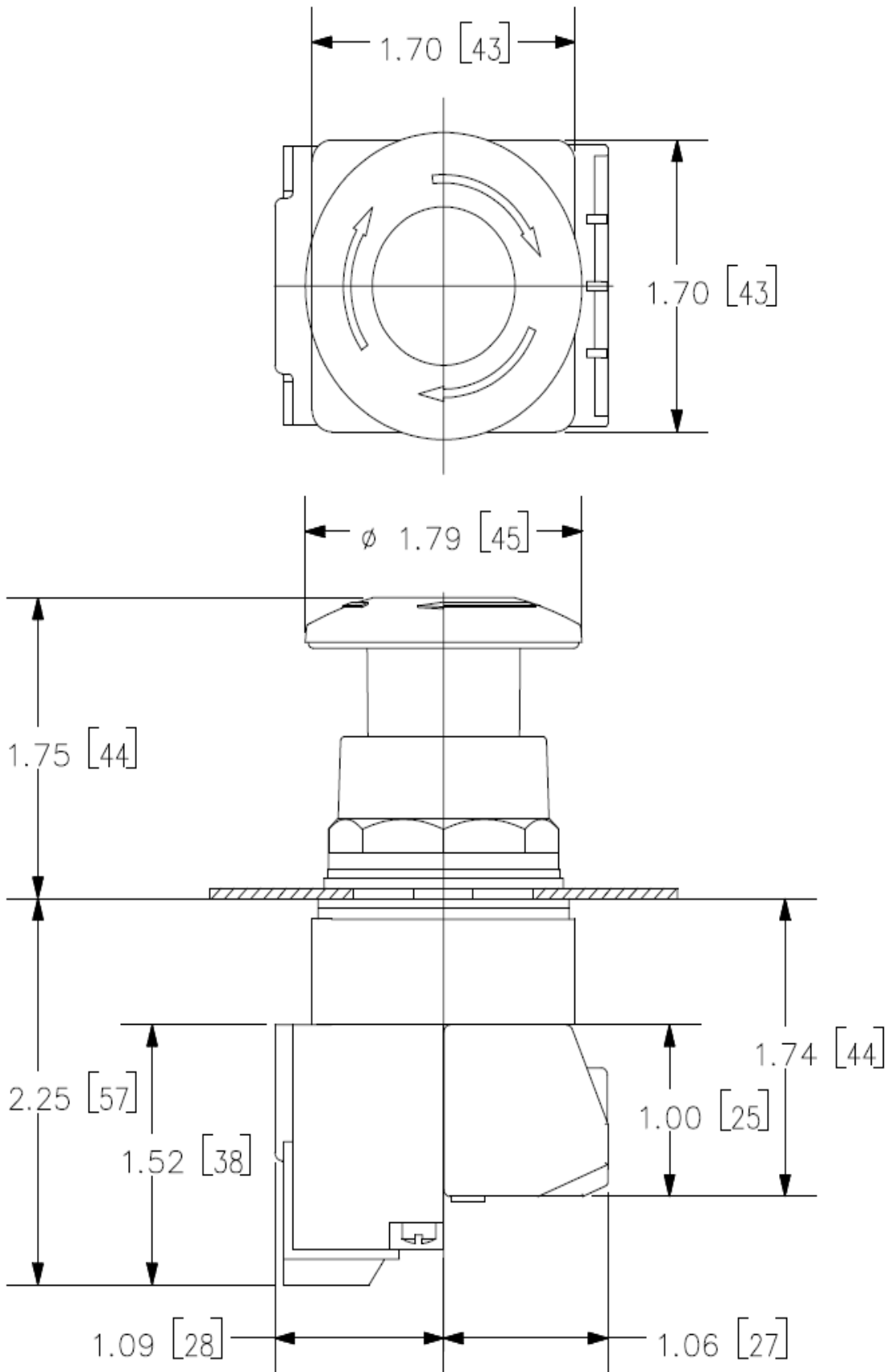
<http://support.automation.siemens.com/WWW/CAXorder/default.aspx?lang=en&mlfb=US2:52BR8HSA>

**Service&Support (Manuals, Certificates, Characteristics, FAQs,...)**

<https://support.industry.siemens.com/cs/ww/en/ps/US2:52BR8HSA>

**Image database (product images, 2D dimension drawings, 3D models, device circuit diagrams, EPLAN macros, ...)**

[http://www.automation.siemens.com/bilddb/cax\\_de.aspx?mlfb=US2:52BR8HSA&lang=en](http://www.automation.siemens.com/bilddb/cax_de.aspx?mlfb=US2:52BR8HSA&lang=en)



last modified:

5/31/2021 