



## Part Number: D4I3060

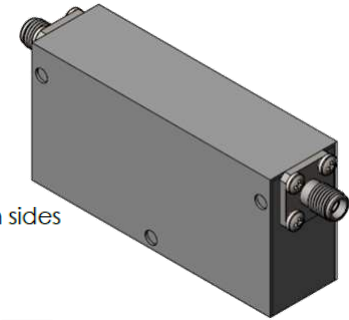
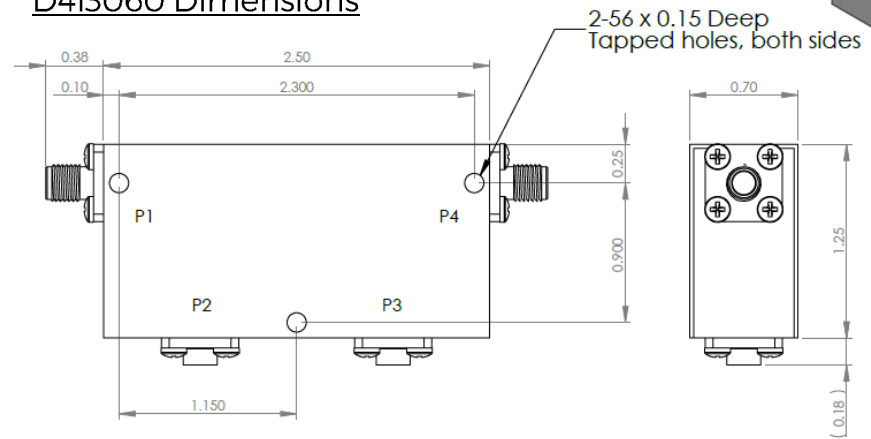
### Electrical Specifications

Frequency Range (GHz):	3.0 - 6.0
Isolation (dB):	36 MIN
Insertion Loss (dB):	1.0 MAX
VSWR:	1.3:1 MIN
Forward Power (W):	25 AVG 50 PK
Reflective Power (W):	2 AVG

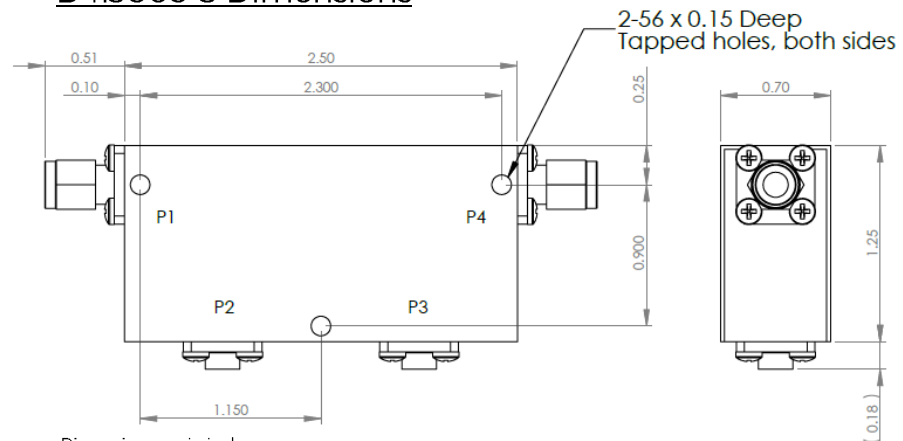
### Mechanical/Environmental Specifications

Connector Type:	SMA
Connector Body:	Passivated stainless steel
Connector Pin:	Gold plated copper
Load Body:	Brass
Magnetic Shunt:	Nickel plated CRS
Operational Temp:	0°C to +50°C
Weight (oz)	4.0 MAX

### D4I3060 Dimensions



### D4I3060-3 Dimensions



Dimensions are in inches  
Tolerance

XX	±0.03
XXX	±0.010

Type of Device	PN Suffix	Connector Configuration Input / Output	PN Example
Single and Dual Junction Isolator, 2-Port Device  Input / Output	N/A	Female / Female	D4I3060
	-1	Male / Female	D4I3060-1
	-2	Female / Male	D4I3060-2
	-3	Male / Male	D4I3060-3



# MEASURED DATA

Part Number: D4I3060, +25°C

