

6

5

4

3

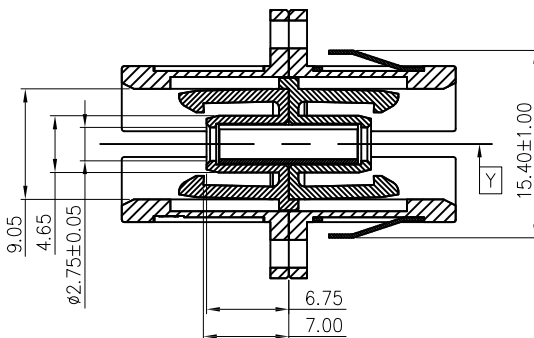
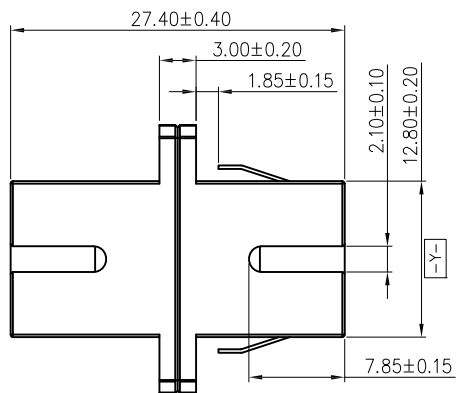
2

1

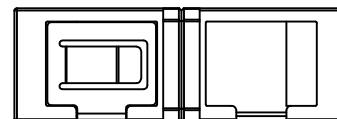
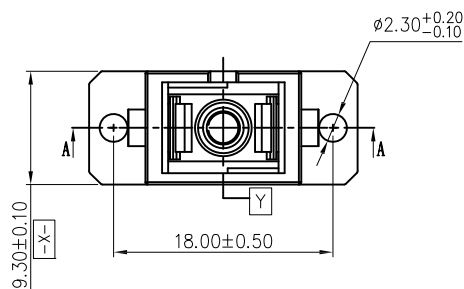
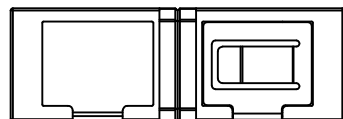
APPROVED: _____

DATE: _____ TITLE: _____

Rev	AWO #	Description	Date	Appr
-		RELEASED	9/4/20	



SECTION A-A
SCALE 1:1



OPSA1ANNC2P2	SC/APC W/Panel Ground	7737C Green
OPSB1ANNC2P2	SC/PC W/Panel Ground	2184C Blue
OPSA1ANNC2N2	SC/APC W/O Panel Ground	7737C Green
OPSB1ANNC2N2	SC/PC W/O Panel Ground	2184C Blue
PART NUMBER	DESCRIPTION	Housing&Insert color

SPECIFICATIONS:

Material:
Housing: Plastic, rated UL 94V-0, Color: See Chart
Sleeve: Zirconia ceramic
Electrical:
Standards of IEC, EIA/TIA, Telcordia
Repeatability: 500 cycles
Insertion loss: 0.2dB max
Temperature Rating:
Operating temperature: -25°C to +70°C
Environmental:
Lead free, RoHS compliant.



UNLESS OTHERWISE SPECIFIED
ALL DIMENSIONS ARE MILLIMETERS
TOLERANCES: EXCEPT AS NOTED
MM ANGLE
.X ± 0.35 .X* ± 2°
.X ± 0.30 .X* ± 1°
.XX ± 0.25 .XX* ± 1°
.XXX ± 0.15 .XXX* ± 0.5°

ADAM TECH
INTERCONNECTS
909 Rahway Avenue,
Union, NJ 07083
Phone: 908-687-5000
Fax: 908-687-5710

APPROVALS		DATE
DRAWN	OW	9/4/20
CHECKED	JL	9/4/20
APPROVED		

TITLE		
SC TYPE ADAPTER, APC & PC, 1 PORTS LONG-EARED, WITH SC CUCURBIT TYPE DUST CAP		
SIZE	PART NO.	REV.
X	OPSX1ANNC2X2	-
REF:	S00005C	SCALE: NTS SHEET 1 OF 2

6

5

4

3

2

1

6

5

4

3

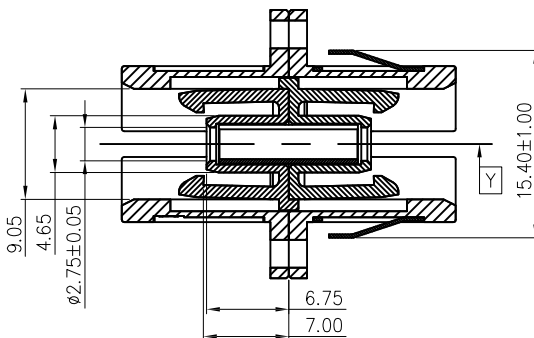
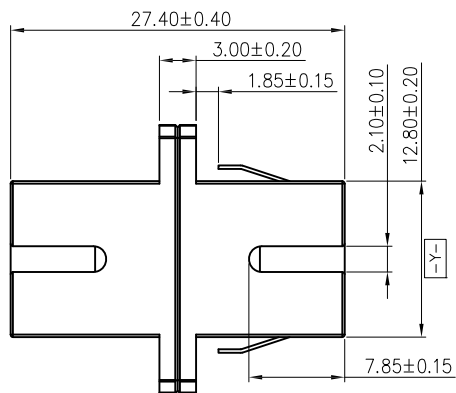
2

1

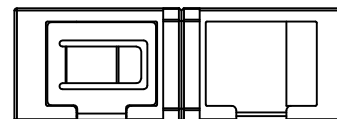
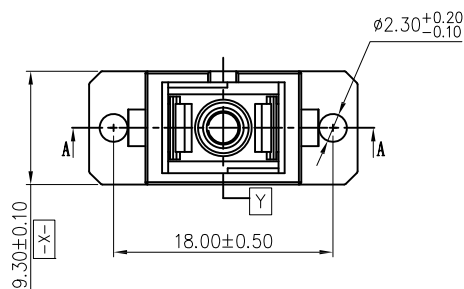
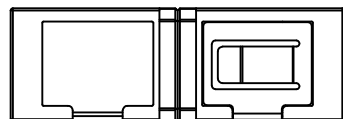
APPROVED: _____

DATE: _____ TITLE: _____

Rev	AWO #	Description	Date	Appr
-		RELEASED	9/4/20	



SECTION A-A
SCALE 1:1



OPSA1ANNC2P2	SC/APC W/Panel Ground	7737C Green
OPSB1ANNC2P2	SC/PC W/Panel Ground	2184C Blue
OPSA1ANNC2N2	SC/APC W/O Panel Ground	7737C Green
OPSB1ANNC2N2	SC/PC W/O Panel Ground	2184C Blue
PART NUMBER	DESCRIPTION	Housing&Insert color

SPECIFICATIONS:

Material:
Housing: Plastic, rated UL 94V-0, Color: See Chart
Sleeve: Zirconia ceramic
Electrical:
Standards of IEC, EIA/TIA, Telcordia
Repeatability: 500 cycles
Insertion loss: 0.2dB max
Temperature Rating:
Operating temperature: -25°C to +70°C
Environmental:
Lead free, RoHS compliant.



UNLESS OTHERWISE SPECIFIED
ALL DIMENSIONS ARE MILLIMETERS
TOLERANCES: EXCEPT AS NOTED
MM ANGLE
.X ± 0.35 .X* ± 2°
.X ± 0.30 .X* ± 1°
.XX ± 0.25 .XX* ± 1°
.XXX ± 0.15 .XXX* ± 0.5°

ADAM TECH
INTERCONNECTS
909 Rahway Avenue,
Union, NJ 07083
Phone: 908-687-5000
Fax: 908-687-5710

APPROVALS		DATE
DRAWN	OW	9/4/20
CHECKED	JL	9/4/20
APPROVED		

TITLE		
SC TYPE ADAPTER, APC & PC, 1 PORTS LONG-EARED, WITH SC CUCURBIT TYPE DUST CAP		
SIZE	PART NO.	REV.
X	OPSX1ANNC2X2	-
REF:	S00005C	SCALE: NTS SHEET 1 OF 2

6

5

4

3

2

1