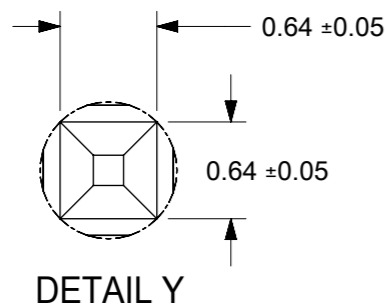
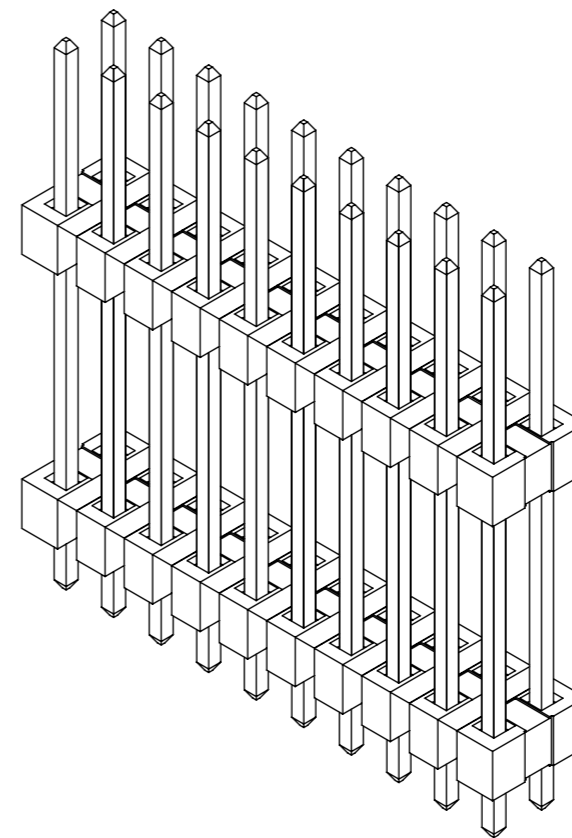
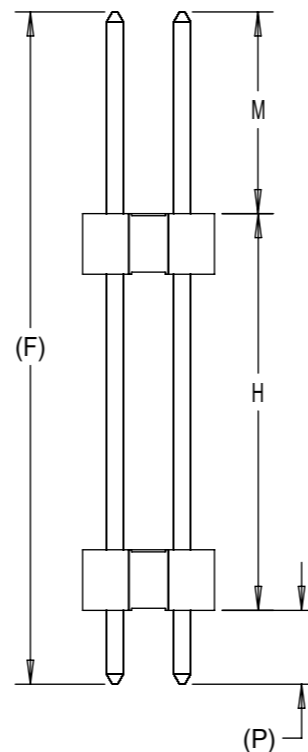
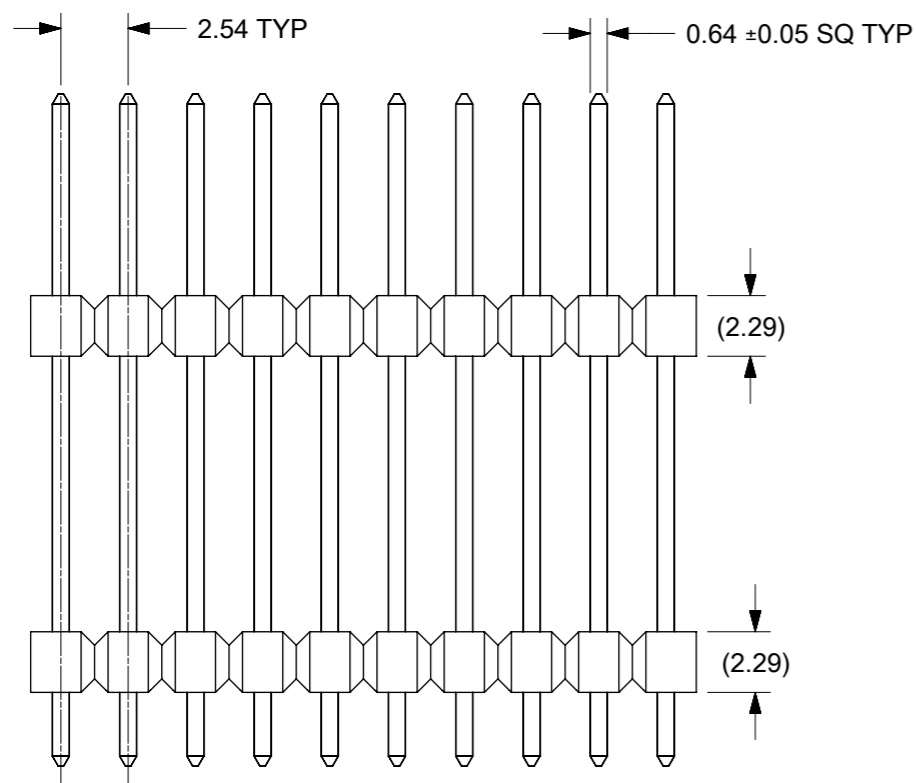


RECOMMENDED PCB LAYOUT: COMPONENT SIDE

- NOTES:**
- MATERIAL:**
HOUSING: LCP, GLASS FILLED, UL94V-0
COLOR: BLACK
PIN: COPPER ALLOY, SQ, 0.64MM
 - PLATING FINISH:**
 - GOLD FLASH OVERALL OVER
1.25µm MIN. NICKEL OVERALL
 - 0.05µm MIN. GOLD IN CONTACT AREA AND
2.50µm MIN. TIN IN SOLDER AREA OVER
1.25µm MIN. NICKEL OVERALL
 - 0.38µm MIN. GOLD IN CONTACT AREA AND
2.50µm MIN. TIN IN SOLDER AREA OVER
1.25µm MIN. NICKEL OVERALL
 - 0.75µm MIN. GOLD IN CONTACT AREA AND
2.50µm MIN. TIN IN SOLDER AREA OVER
1.25µm MIN. NICKEL OVERALL
 - 2.50µm MIN. TIN OVERALL
1.25µm MIN. NICKEL OVERALL
 - FOR PACKING OPTION PLEASE REFER TO THE TABLE.
 - THE ABOVE 20CKTS SHOWN IS FOR ILLUSTRATION ONLY.
 - IRREGULAR CIRCUIT CUTOFF WITHIN BREAKAWAY SECTION IS PERMISSIBLE. CUTTING OR CHIPPING OF THE MAIN BODY IS NOT ACCEPTABLE
 - WAFER TO BE FLAT WITHIN 0.003mm/mm
 - PARTS ARE NOT STACKABLE ON 2.54 CENTERS
 - RECOMMENDED PCB THICKNESS 1.60±0.10mm
 - PRODUCT SPEC: PS-87920-019
 - PACKAGING SPECIFICATION:
TRAY: PK-89990-489
BULK: PK-89990-491
TUBE: PK-89990-300



THIS DRAWING CONTAINS INFORMATION THAT IS PROPRIETARY TO MOLEX ELECTRONIC TECHNOLOGIES, LLC AND SHOULD NOT BE USED WITHOUT WRITTEN PERMISSION									
DIMENSION UNITS		SCALE		CURRENT REV DESC:				molex	
mm		NTS							
GENERAL TOLERANCES (UNLESS SPECIFIED)									
		MM		INCH					
4 PLACES		±		±		EC NO: 690873			
3 PLACES		±		±		DRWN: DANUSA 2021/12/31			
2 PLACES		± 0.2		±		CHK'D: DANUSA 2022/01/05			
1 PLACE		±		±		APPR: MRAMAKRISHNA 2022/01/05			
0 PLACES		±		±		INITIAL REVISION:			
ANGULAR TOL		± 3.0°		± 3.0°		DRWN: SKLIM01 2006/03/01			
						APPR: PATEY 2006/03/03			
DRAFT WHERE APPLICABLE MUST REMAIN WITHIN DIMENSIONS				THIRD ANGLE PROJECTION		DRAWING		SERIES	
				A3-SIZE		87797		MATERIAL NUMBER	
				SEE TABLE		CUSTOMER		SHEET NUMBER	
				GENERAL MARKET		SD-87797-171		1 OF 3	
DOCUMENT STATUS		P1		RELEASE DATE		2022/01/05 07:44:43		DOC TYPE DOC PART REVISION	
								PSD 000 C16	

10 9 8 7 6 5 4 3 2 1

CKT SIZE	DIMENSION		PART NO FOR TUBE PACKAGING	PART NO FOR TRAY PACKAGING	PART NO FOR BULK PACKAGING	CKT SIZE	PEG OPTION	VOID POSITION	PLATING TYPE	DIMENSION			
	A	B								F	MATING END	STACKER HEIGHT	SOLDER TAIL
04	5.08	2.54	-	87797-0401	-	4	NO	-	5	18.56	3.78	11.00	3.78
06	7.62	5.08	-	87797-0402	-	4	NO	-	5	18.56	3.78	11.00	3.78
08	10.16	7.62	-	87797-0600	-	6	NO	-	4	26.80	4.00	20.00	2.80
10	12.70	10.16	-	87797-0601	-	6	NO	-	5	11.00	3.00	5.00	3.00
12	15.24	12.70	-	87797-0602	-	6	NO	-	4	33.60	5.00	25.60	3.00
14	17.78	15.24	-	87797-0603	-	6	NO	-	5	33.60	5.00	25.60	3.00
16	20.32	17.78	-	87797-0604	-	6	NO	-	4	35.70	7.90	25.00	2.80
18	22.86	20.32	-	87797-0605	-	6	NO	-	2	22.50	6.00	13.00	3.50
20	25.40	22.86	-	87797-0607	-	6	NO	-	3	27.80	10.70	13.80	3.30
22	27.94	25.40	-	87797-0608	-	6	NO	-	2	27.80	10.70	13.80	3.30
24	30.48	27.94	87797-0610	-	-	6	NO	-	5	41.00	20.00	14.00	7.00
26	33.02	30.48	-	87797-0611	-	6	NO	-	5	45.00	5.25	34.50	5.25
28	35.56	33.02	-	87797-0800	-	8	NO	-	5	18.54	3.05	12.70	2.79
30	38.10	35.56	-	-	87797-0801	8	NO	-	3	19.30	7.20	9.30	2.80
32	40.64	38.10	-	87797-0805	-	8	NO	-	5	25.31	6.61	15.65	3.05
34	43.18	40.64	-	87797-1001	-	10	NO	-	5	32.14	10.80	19.05	2.29
36	45.72	43.18	-	87797-1002	-	10	NO	-	2	18.54	8.13	7.62	2.79
38	48.26	45.72	-	87797-1013	-	10	NO	-	5	19.50	6.80	7.50	5.20
40	50.80	48.26	-	87797-1015	-	10	NO	-	5	18.20	6.70	7.50	4.00
42	53.34	50.80	-	87797-1023	-	10	NO	-	5	35.70	6.00	27.00	2.70
44	55.88	53.34	-	87797-1200	-	12	NO	-	4	19.30	9.04	8.00	2.26
46	58.42	55.88	-	87797-1206	-	12	NO	-	2	16.00	5.84	7.62	2.54
48	60.96	58.42	-	87797-1209	-	12	NO	-	3	15.75	7.80	4.75	3.20
50	63.50	60.96	-	87797-1213	-	12	NO	-	5	23.00	11.70	8.00	3.30
52	66.04	63.50	-	87797-1217	-	12	NO	-	3	23.62	8.12	12.70	2.80
54	68.58	66.04	-	87797-1400	-	14	NO	-	4	20.96	9.91	8.00	3.05
56	71.12	68.58	-	87797-1401	-	14	NO	-	5	13.00	4.00	5.00	4.00
58	73.66	71.12	-	87797-0032	-	14	NO	-	5	40.00	3.00	34.00	3.00
60	76.20	73.66	-	87797-1600	-	16	NO	-	3	22.70	6.60	13.10	3.00
62	78.74	76.20	-	87797-1603	-	16	NO	-	5	28.00	7.00	18.00	3.00
64	81.28	78.74	-	87797-1800	-	18	NO	11 & 12	1	28.00	12.21	9.35	6.44
66	83.82	81.28	-	87797-0020	-	20	NO	-	5	21.30	3.10	15.10	3.10
68	86.36	83.82	-	87797-0200	-	20	NO	-	3	36.32	5.18	25.98	5.16
70	88.90	86.36	-	87797-0201	-	20	NO	-	5	20.68	2.79	15.10	2.79
72	91.44	88.90	-	87797-2000	-	20	NO	-	4	31.00	8.50	14.00	8.50
74	93.98	91.44	-	87797-2002	-	20	NO	-	4	33.60	5.00	25.60	3.00
76	96.52	93.98	-	87797-2003	-	20	NO	-	5	33.60	5.00	25.60	3.00
78	99.06	96.52	-	87797-2004	-	20	NO	-	4	33.40	5.00	25.60	2.80
80	101.60	99.06	-	87797-2010	-	20	NO	-	1	28.00	12.21	9.35	6.44
			-	87797-2035	-	20	NO	-	5	31.37	8.00	19.94	3.43
			-	87797-2009	-	20	NO	-	5	44.13	6.33	35.26	2.54
			87797-2200	-	-	22	NO	-	3	21.10	7.40	10.70	3.00
			87797-2400	87797-2401	-	24	NO	-	5	14.35	3.35	7.65	3.35
			-	87797-2404	-	24	NO	-	5	25.31	6.61	15.65	3.05

THIS DRAWING CONTAINS INFORMATION THAT IS PROPRIETARY TO MOLEX ELECTRONIC TECHNOLOGIES, LLC AND SHOULD NOT BE USED WITHOUT WRITTEN PERMISSION

DIMENSION UNITS		SCALE		CURRENT REV DESC:	
mm	NTS				
GENERAL TOLERANCES (UNLESS SPECIFIED)					
		MM	INCH		
4 PLACES	±		±		
3 PLACES	±		±		
2 PLACES	±	0.2	±		
1 PLACE	±		±		
0 PLACES	±		±		
ANGULAR TOL		± 3.0°			
DRAFT WHERE APPLICABLE MUST REMAIN WITHIN DIMENSIONS		THIRD ANGLE PROJECTION		DRAWING	SERIES
				A3-SIZE	87797
DOCUMENT STATUS		P1	RELEASE DATE	2022/01/05	07:44:43

molex

CUSTOM HEADER
2.54MM PITCH DUAL ROW HEADER, THRU HOLE, VERT

PRODUCT CUSTOMER DRAWING

EC NO: 690873
DRWN: DANUSA 2021/12/31
CHK'D: DANUSA 2022/01/05
APPR: MRAMAKRISHNA 2022/01/05

INITIAL REVISION:
DRWN: SKLIM01 2006/03/01
APPR: PATEY 2006/03/03

DOCUMENT NUMBER
SD-87797-171

DOC TYPE
PSD

DOC PART
000

REVISION
C16


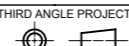
MATERIAL NUMBER
SEE TABLE

CUSTOMER
GENERAL MARKET

SHEET NUMBER
2 OF 3

9 8 7 6 5 4 3 2 1

PART NO FOR TUBE PACKAGING	PART NO FOR TRAY PACKAGING	PART NO FOR BULK PACKAGING	CKT SIZE	PEG OPTION	VOID POSITION	PLATING TYPE	DIMENSION			
							F	MATING END	STACKER HEIGHT	SOLDER TAIL
								M	H	P
-	87797-2600	-	26	NO	-	3	19.30	7.25	9.00	3.05
-	87797-0044	-	26	NO	-	2	28.74	15.86	10.08	2.80
-	87797-2801	-	28	NO	-	5	22.80	7.40	12.10	3.30
-	87797-2802	-	28	NO	-	5	34.40	7.40	23.70	3.30
-	87797-3024	-	30	NO	-	4	23.62	9.40	11.43	2.79
87797-3200	-	-	32	NO	-	3	23.46	7.00	13.50	2.96
-	87797-0045	-	34	NO	-	2	28.74	15.86	10.08	2.80
-	87797-0400	-	40	NO	-	3	25.40	9.91	12.70	2.79
-	-	87797-0500	50	NO	-	3	18.55	6.48	9.40	2.67
-	87797-5800	-	58	NO	-	5	18.00	3.00	12.00	3.00
-	87797-6000	-	60	NO	-	3	18.05	7.00	8.00	3.05
87797-6001	-	-	60	NO	-	3	23.46	7.00	13.50	2.96
-	-	87797-6400	64	NO	-	3	23.62	5.59	15.24	2.79
-	87797-7213	-	72	NO	-	3	14.35	6.22	5.08	3.05
-	87797-8025	-	80	NO	-	5	22.73	8.10	11.43	3.20

THIS DRAWING CONTAINS INFORMATION THAT IS PROPRIETARY TO MOLEX ELECTRONIC TECHNOLOGIES, LLC AND SHOULD NOT BE USED WITHOUT WRITTEN PERMISSION															
DIMENSION UNITS		SCALE		CURRENT REV DESC:											
mm		NTS													
GENERAL TOLERANCES (UNLESS SPECIFIED)				EC NO: 690873 DRWN: DANUSA CHK'D: DANUSA APPR: MRAMAKRISHNA INITIAL REVISION: DRWN: SKLIM01 APPR: PATEY				CUSTOM HEADER 2.54MM PITCH DUAL ROW HEADER, THRU HOLE, VERT							
4 PLACES		±						2021/12/31 2022/01/05 2022/01/05				PRODUCT CUSTOMER DRAWING			
3 PLACES		±													
2 PLACES		± 0.2													
1 PLACE		±		2006/03/01 2006/03/03				DOCUMENT NUMBER		DOC TYPE	DOC PART	REVISION			
0 PLACES		±						SD-87797-171		PSD	000	C16			
ANGULAR TOL ± 3.0°				THIRD ANGLE PROJECTION		DRAWING	SERIES	MATERIAL NUMBER	CUSTOMER	SHEET NUMBER					
DRAFT WHERE APPLICABLE MUST REMAIN WITHIN DIMENSIONS						A3-SIZE	87797	SEE TABLE	GENERAL MARKET	3 OF 3					

DOCUMENT STATUS	P1	RELEASE DATE	2022/01/05	07:44:43
-----------------	----	--------------	------------	----------