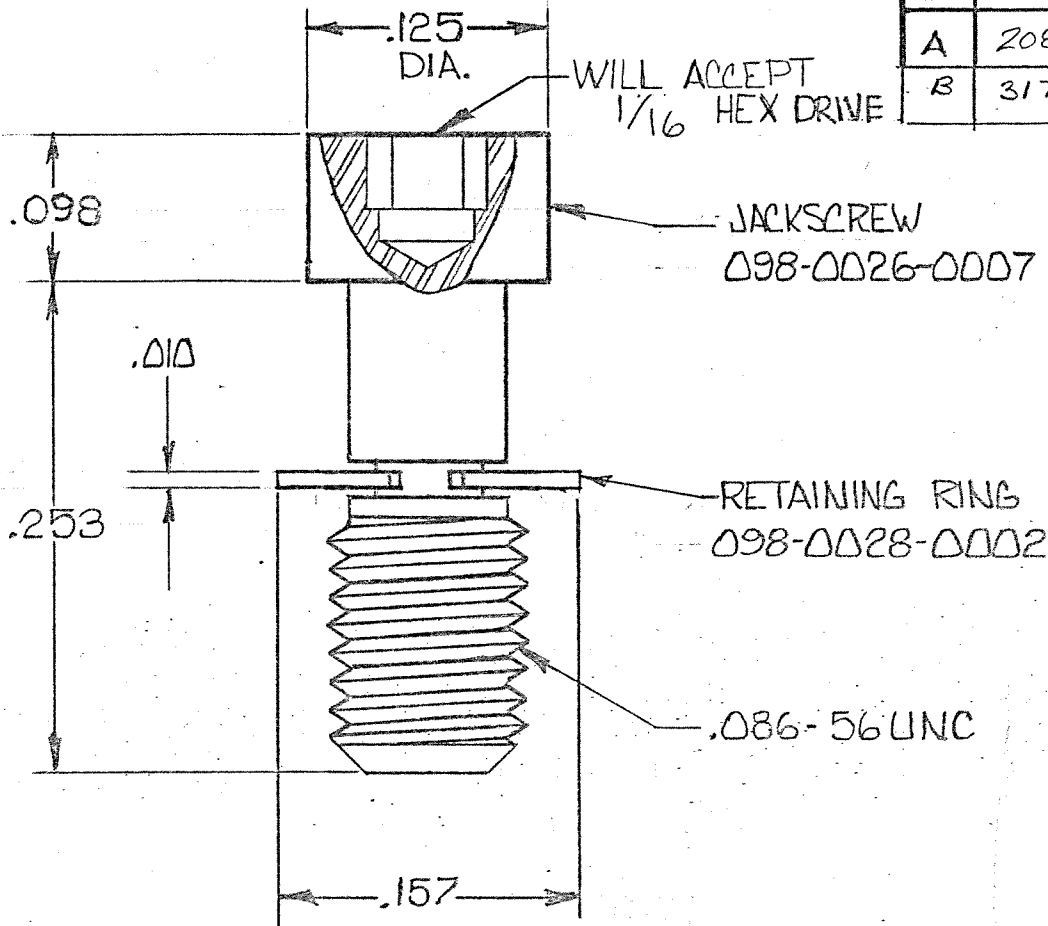



REVISIONS				
LTR	ECO #	DESCRIPTION	DATE	APPROVED
A	20830	RELEASED 2-9-76 DWJH	3-30-76	MD
B	31771	DIM 15 .098 WAS: .075 CODE 15: CDM WAS: CD	11-28-88	MD



Tyco Dwg 1466010  
Micro P/N 096-0002-0015

		UNLESS OTHERWISE SPECIFIED DIMENSIONS ARE IN INCHES TOLERANCES ARE: FRACTIONS DECIMALS ANGLES ± .XX ± .02 ± XXX ± .010	CONTRACT NO.	 <b>MALCO</b> A MICRODOT COMPANY, INC. 220 PASADENA AVE., SO. PASADENA, CALIF. 91030		PROD. CODE 839	
		MATERIAL	APPROVALS	DATE	<b>JACKSCREW ASSEMBLY</b> LOW PROFILE ALLEN HEAD		CODE CDM
		FINISH	DRAWN DAVID HOOPER	3-29-76			
		USED ON	CHECKED MD	3-29-76	SIZE A	CODE IDENT NO. 98278	DRAWING NO. 096-0002-0015
APPLICATION		DO NOT SCALE DRAWING	<small>These drawings and specifications are the property of Microdot Inc., are issued in strict confidence and shall not be divulged, be reproduced or copied, or used as the basis for the manufacture or sale of any article without written permission of Microdot Inc.</small>		SCALE NONE	SHEET 1 OF 1	