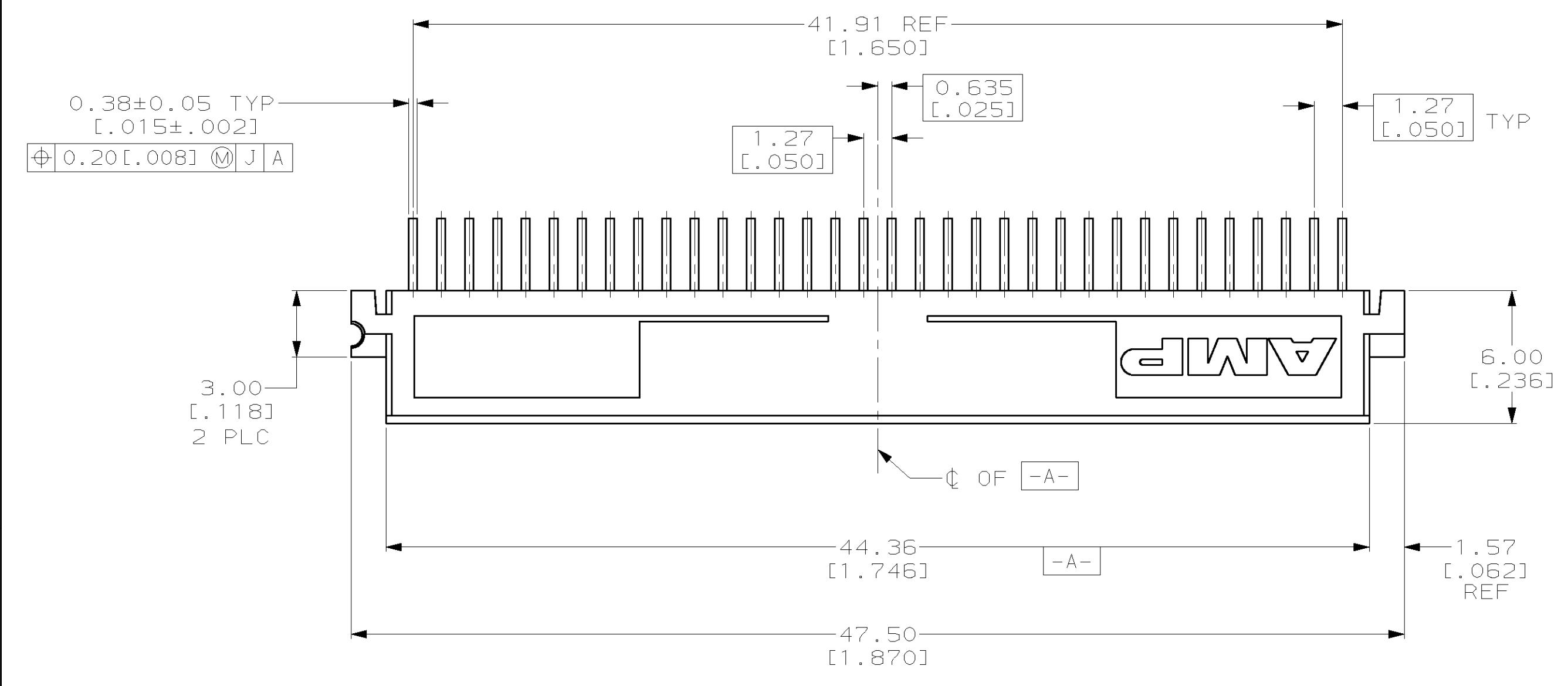
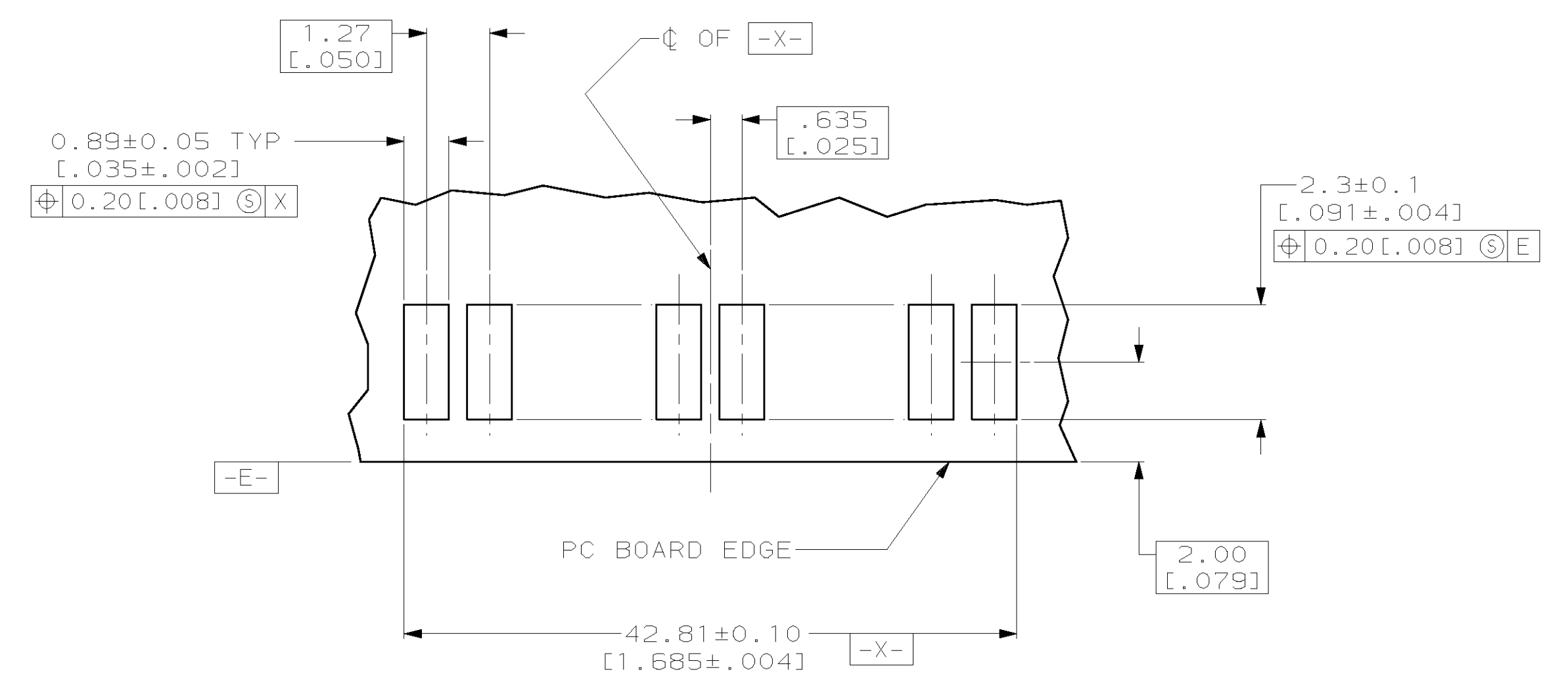


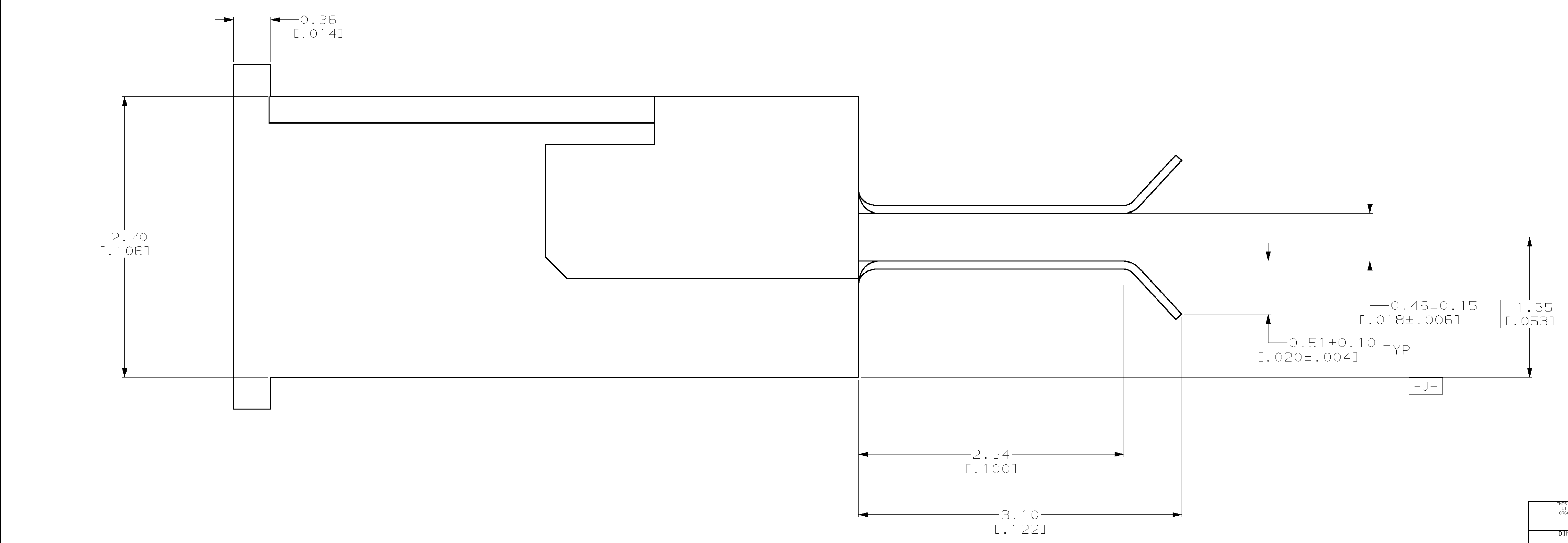
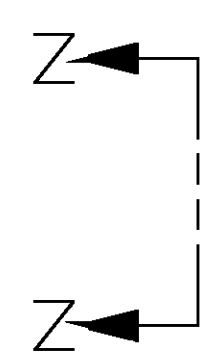
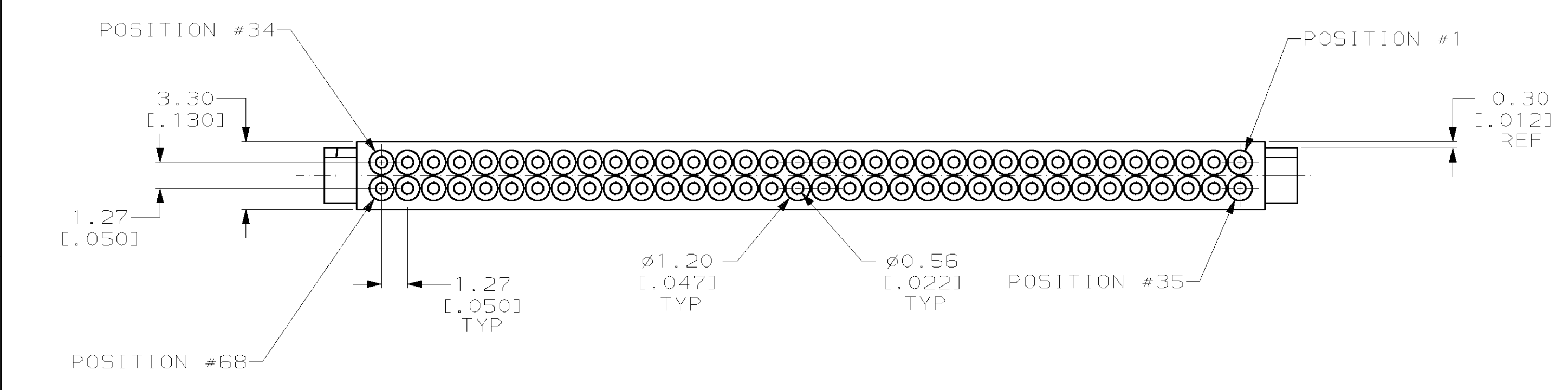
REV	DATE	DESCRIPTION	DATE	OWN	APPV
0	12/04/96	RELEASED		JR	DD
A	19 JUN 97	REV PER EC 0410-228-97		CR	MP
B	3 MAR 98	REV PER 0651-0006-98		RB	MP
C	15FEB99	REVISED PER 0651-0259-98		RB	MP



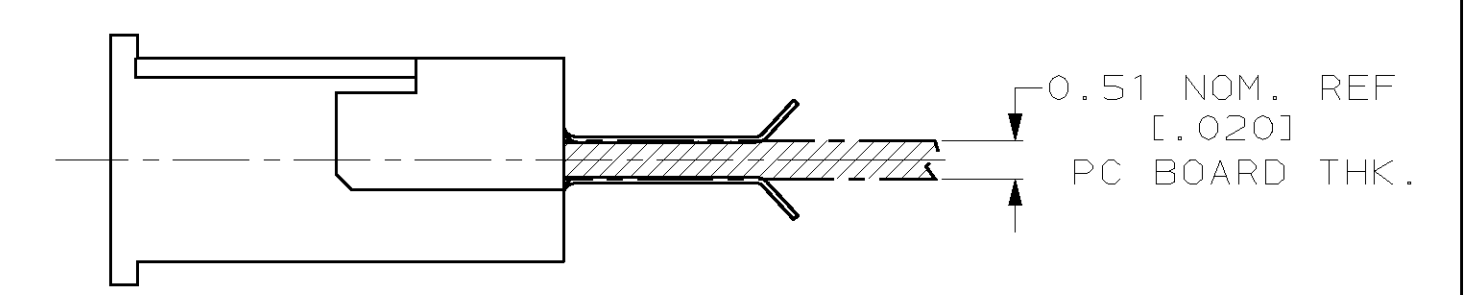
- 1 HOUSING: LCP, GLASS FILLED, COLOR: BLACK.
- 2 CONTACT: BERYLLIUM COPPER.
- 3 0.00076[.000030] MINIMUM GOLD ON MATING AREA, 0.00254[.000100] MINIMUM TIN-LEAD ON SOLDER TAIL, ALL OVER 0.00127[.000050] MINIMUM NICKEL.
- 4. POINT OF CONTACT 2.3[.091] REF FROM MATING FACE.



RECOMMENDED PC BOARD LAYOUT  
SCALE 10:1



VIEW Z-Z  
SCALE 40:1



PC BOARD LOCATION (REF)  
SCALE: 10:1

3	68	146832-1
PLATING	POSITIONS	PART NUMBER

THIS DRAWING IS UNPUBLISHED. IT IS SUBJECT TO CHANGE AND THE CONTROLLING ENGINEERING DEPARTMENT SHALL BE CONTACTED FOR THE LATEST REVISION.		J. REED 12/04/96 D. DIXON 12/04/96 D. DIXON 12/04/96
DIMENSIONS: mm 	TOLERANCES UNLESS OTHERWISE SPECIFIED: 0. PLC ±.005 1. PLC ±.005 2. PLC ±.005 3. PLC ±.005 4. PLC ±.005 ANGLES 90°±.05°	AMP Incorporated Harrisburg, PA 17105-3608 RCPT ASSEMBLY, 68 POSITION, CENTERED STRADDLE MOUNT, AMP PC CARD
MATERIAL	FINISH	SIZE A1 CAGE CODE 00779 DRAWING NO. C=146832 SCALE 5:1 SHEET 1 OF 1 REV C