

89558-9203	N	PASTEL GREEN
89558-9202	M	PASTEL ORANGE
89558-9201	L	CARMINE RED
89558-9200	Z	WATER BLUE
89558-9199	K	CURRY YELLOW
89558-9198	I	BEIGE
89558-9197	H	VIOLET
89558-9196	G	GRAY
89558-9195	F	BROWN
89558-9194	E	GREEN
89558-9193	D	BORDEAUX VIOLET
89558-9192	C	BLUE
89558-9191	B	CREAM WHITE
89558-9190	A	BLACK
SHROUD NO.	KEY CODE	COLOR

CODE A

CODE B

CODE C

CODE D

CODE E

CODE F

CODE G

CODE H

CODE I

CODE K

CODE Z

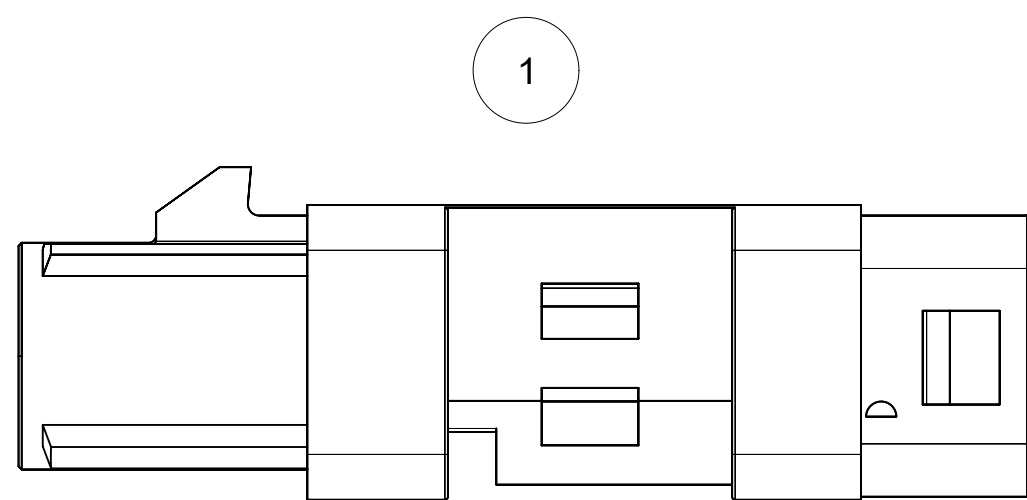
CODE L

CODE M

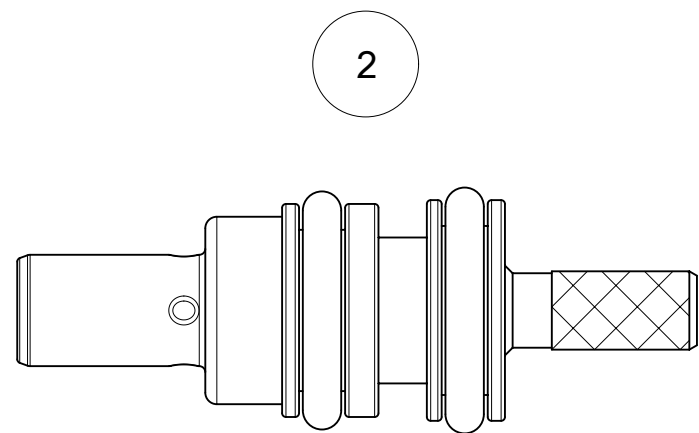
CODE N

QUALITY SYMBOLS 	THIS DRAWING CONTAINS INFORMATION THAT IS PROPRIETARY TO MOLEX ELECTRONIC TECHNOLOGIES, LLC AND SHOULD NOT BE USED WITHOUT WRITTEN PERMISSION						
	EC NO: 122054 DRWN: BSHAH CHKD: REV / APPR: AROBERTSON	2017/09/07 2017/09/21	GENERAL TOLERANCES (UNLESS SPECIFIED)		DIMENSION UNITS	SCALE	
				MM	INCH	METRIC	NTS
			4 PLACES	±	±	AROBERTSON	2014/11/18
			3 PLACES	±	± 0.005	CHK'D BY	DATE
			2 PLACES	± 0.13	± 0.01	SSS	2014/11/18
	1 PLACES	± 0.25	±	APPR BY	DATE		
	0 PLACES	±	±	AROBERTSON	2015/04/24		
	ANGULAR TOL = 2.0		DRAWING SIZE	THIRD ANGLE PROJECTION			
	DRAFT WHERE APPLICABLE MUST REMAIN WITHIN DIMENSIONS		C				
C1							

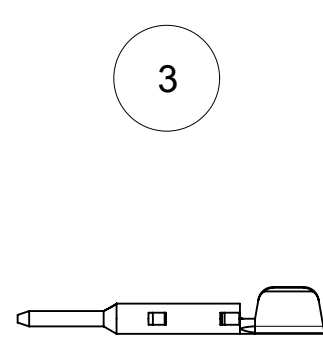
molex			
FAKRA JACK SEALED RG174 7 MM CLIP SLOT FAKRA-JC, EWR-10016			
PRODUCT CUSTOMER DRAWING			
SERIES	MATERIAL NUMBER	CUSTOMER	
73403	SEE TABLE	GENERAL MARKET	
DOCUMENT NUMBER		DOC TYPE	DOC PART
SD-73403-039		PSD	001
SHEET NUMBER		SHEET NUMBER	
2 OF 4		2 OF 4	



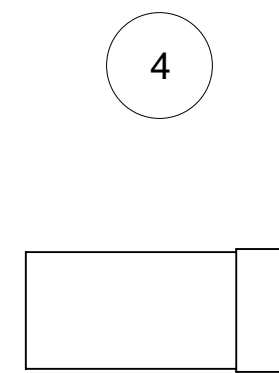
SHROUD



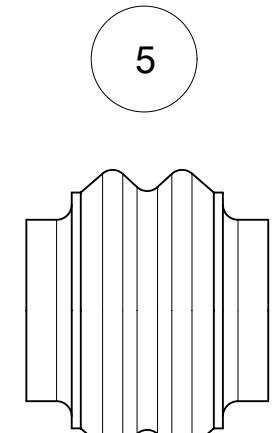
SMB SUB-ASSEMBLY



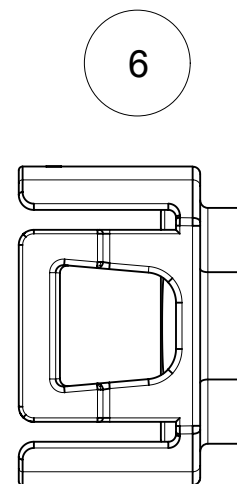
CONTACT
(SHOWN LOOSE
COMES ON T&R)



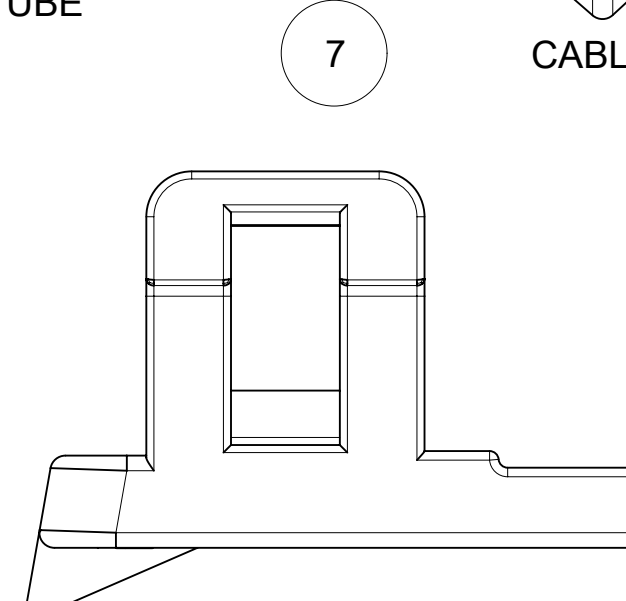
CRIMP TUBE



CABLE SEAL



END CAP



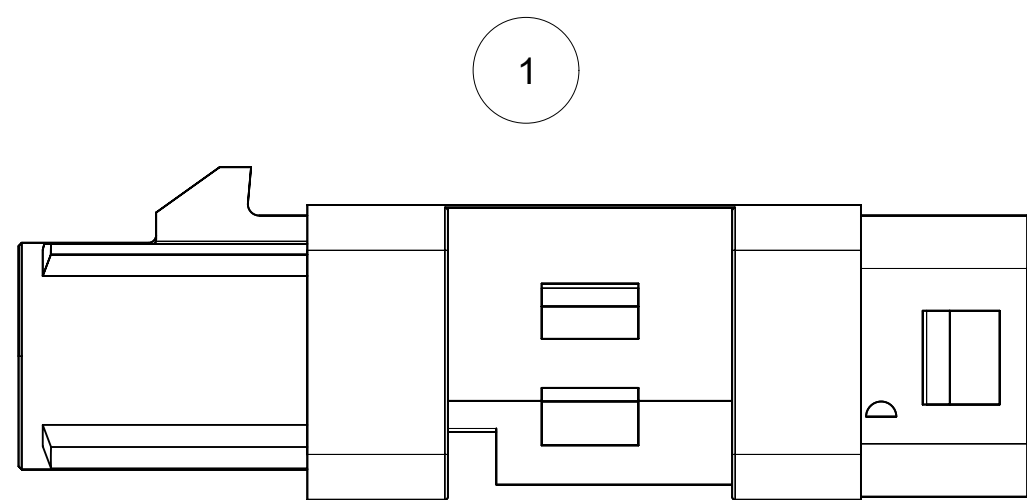
ISL 7mm CLIP SLOT

NOTES:

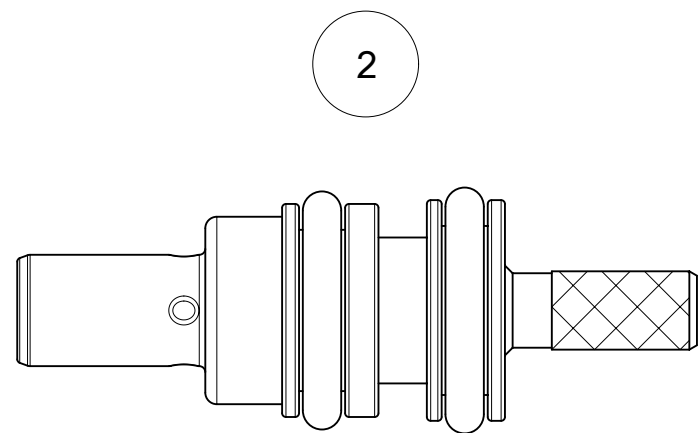
- 1. ITEM 2 TO BE TRAY PACKED.
- 2. ALL ITEMS MAY BE BAGGED INDIVIDUALLY TOGETHER WHEN SOLD AS 73403-0XXX ASSEMBLY NUMBER.
- 3. ITEMS 1/3/4/5/6/7 MAY BE INDIVIDUALLY BULK PACKED. BULK PACKAGE QUANTITIES MUST NOT INDUCE ANY DAMAGE TO PARTS.

73403-0403	N	PASTEL GREEN	89558-9203	73404-3570	89601-8961	89558-8172	89558-8000	89558-9210	89558-8140
73403-0402	M	PASTEL ORANGE	89558-9202	73404-3570	89601-8961	89558-8172	89558-8000	89558-9210	89558-8140
73403-0401	L	CARMINE RED	89558-9201	73404-3570	89601-8961	89558-8172	89558-8000	89558-9210	89558-8140
73403-0400	Z	WATER BLUE	89558-9200	73404-3570	89601-8961	89558-8172	89558-8000	89558-9210	89558-8140
73403-0399	K	CURRY YELLOW	89558-9199	73404-3570	89601-8961	89558-8172	89558-8000	89558-9210	89558-8140
73403-0398	I	BEIGE	89558-9198	73404-3570	89601-8961	89558-8172	89558-8000	89558-9210	89558-8140
73403-0397	H	VIOLET	89558-9197	73404-3570	89601-8961	89558-8172	89558-8000	89558-9210	89558-8140
73403-0396	G	GRAY	89558-9196	73404-3570	89601-8961	89558-8172	89558-8000	89558-9210	89558-8140
73403-0395	F	BROWN	89558-9195	73404-3570	89601-8961	89558-8172	89558-8000	89558-9210	89558-8140
73403-0394	E	GREEN	89558-9194	73404-3570	89601-8961	89558-8172	89558-8000	89558-9210	89558-8140
73403-0393	D	BORDEAUX VIOLET	89558-9193	73404-3570	89601-8961	89558-8172	89558-8000	89558-9210	89558-8140
73403-0392	C	BLUE	89558-9192	73404-3570	89601-8961	89558-8172	89558-8000	89558-9210	89558-8140
73403-0391	B	CREAM WHITE	89558-9191	73404-3570	89601-8961	89558-8172	89558-8000	89558-9210	89558-8140
73403-0390	A	BLACK	89558-9190	73404-3570	89601-8961	89558-8172	89558-8000	89558-9210	89558-8140
PART NO.	KEY CODE	COLOR	ITEM NO. 1	ITEM NO. 2	ITEM NO. 3	ITEM NO. 4	ITEM NO. 5	ITEM NO. 6	ITEM NO. 7
			SHROUD	SMB SUB-ASSY	CONTACT (T&R)	CRIMP TUBE	CABLE SEAL	END CAP	ISL 7mm CS

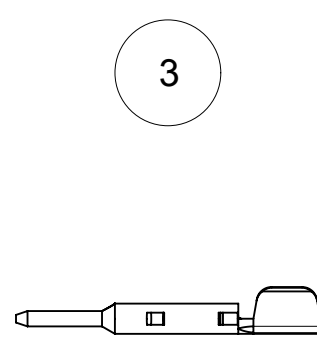
<p>QUALITY SYMBOLS</p> <p>▽ = 0</p> <p>▽ = 0</p> <p>▽ = 0</p> <p>▽ = 0</p> <p>▽ = 0</p> <p>▽ = 0</p> <p>▽ = 0</p> <p>▽ = 0</p> <p>▽ = 0</p>	<p>THIS DRAWING CONTAINS INFORMATION THAT IS PROPRIETARY TO MOLEX ELECTRONIC TECHNOLOGIES, LLC AND SHOULD NOT BE USED WITHOUT WRITTEN PERMISSION</p>		<p>DIMENSION UNITS SCALE</p> <p>METRIC NTS</p>		<p>molex</p> <p>FAKRA JACK SEALED</p> <p>RG174 7 MM CLIP SLOT FAKRA-JC, EWR-10016</p> <p>PRODUCT CUSTOMER DRAWING</p> <p>SERIES: 73403 MATERIAL NUMBER: SEE TABLE CUSTOMER: GENERAL MARKET</p> <p>DOCUMENT NUMBER: SD-73403-039 DOC TYPE: PSD DOC PART: 001 SHEET NUMBER: 3 OF 4</p>																		
	<p>GENERAL TOLERANCES (UNLESS SPECIFIED)</p> <table border="1"> <tr> <td></td> <td>MM</td> <td>INCH</td> </tr> <tr> <td>4 PLACES</td> <td>±</td> <td>±</td> </tr> <tr> <td>3 PLACES</td> <td>±</td> <td>± 0.005</td> </tr> <tr> <td>2 PLACES</td> <td>± 0.13</td> <td>± 0.01</td> </tr> <tr> <td>1 PLACES</td> <td>± 0.25</td> <td>±</td> </tr> <tr> <td>0 PLACES</td> <td>±</td> <td>±</td> </tr> </table>			MM		INCH	4 PLACES	±	±	3 PLACES	±	± 0.005	2 PLACES	± 0.13	± 0.01	1 PLACES	± 0.25	±	0 PLACES	±	±	<p>DRWN BY: AROBERTSON DATE: 2014/11/18</p> <p>CHK'D BY: SSS DATE: 2014/11/18</p> <p>APPR BY: AROBERTSON DATE: 2015/04/24</p>	
		MM	INCH																				
	4 PLACES	±	±																				
	3 PLACES	±	± 0.005																				
	2 PLACES	± 0.13	± 0.01																				
	1 PLACES	± 0.25	±																				
	0 PLACES	±	±																				
	<p>ANGULAR TOL = 2.0</p>		<p>DRAWING SIZE: C THIRD ANGLE PROJECTION</p>																				
	<p>DRAFT WHERE APPLICABLE MUST REMAIN WITHIN DIMENSIONS</p>																						
<p>MIGRATED</p> <p>EC NO: 122054 DRWN: BSHAH CHKD: AROBERTSON REV: APPR: AROBERTSON</p> <p>2017/09/07 2017/09/21</p>																							
<p>RELEASE STATUS: P1 RELEASE DATE: 21.09.2017 20:44:22</p>																							
<p>12 11 10 9 8 7 6 5 4 3 2 1</p>																							



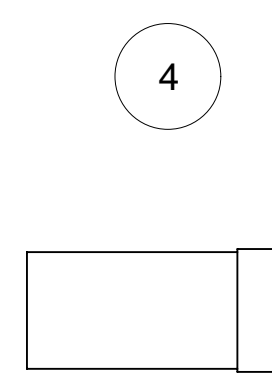
SHROUD



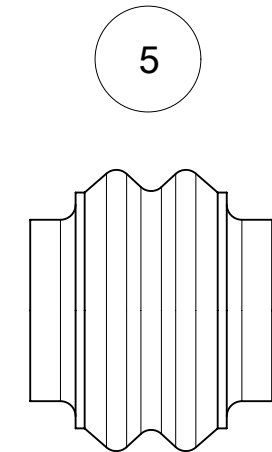
SMB SUB-ASSEMBLY



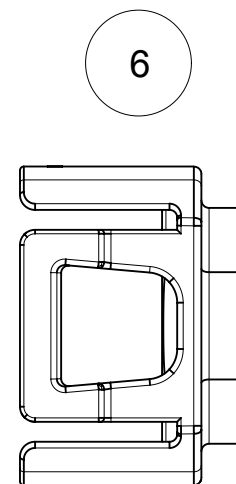
CONTACT
(SHOWN LOOSE
COMES ON T&R)



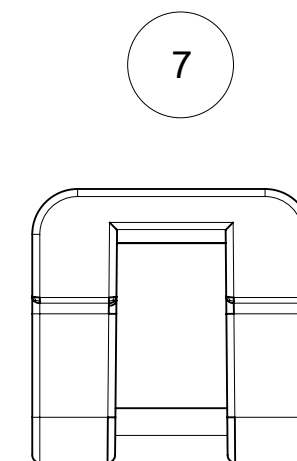
CRIMP TUBE



CABLE SEAL



END CAP



ISL NO CLIP SLOT

NOTES:

- ITEM 2 TO BE TRAY PACKED.
- ALL ITEMS MAY BE BAGGED INDIVIDUALLY TOGETHER WHEN SOLD AS 73403-0XXX ASSEMBLY NUMBER.
- ITEMS 1/3/4/5/6/7 MAY BE INDIVIDUALLY BULK PACKED. BULK PACKAGE QUANTITIES MUST NOT INDUCE ANY DAMAGE TO PARTS.

73403-0443	N	PASTEL GREEN	89558-9203	73404-3570	89601-8961	89558-8172	89558-8000	89558-9210	89558-8150
73403-0442	M	PASTEL ORANGE	89558-9202	73404-3570	89601-8961	89558-8172	89558-8000	89558-9210	89558-8150
73403-0441	L	CARMINE RED	89558-9201	73404-3570	89601-8961	89558-8172	89558-8000	89558-9210	89558-8150
73403-0440	Z	WATER BLUE	89558-9200	73404-3570	89601-8961	89558-8172	89558-8000	89558-9210	89558-8150
73403-0439	K	CURRY YELLOW	89558-9199	73404-3570	89601-8961	89558-8172	89558-8000	89558-9210	89558-8150
73403-0438	I	BEIGE	89558-9198	73404-3570	89601-8961	89558-8172	89558-8000	89558-9210	89558-8150
73403-0437	H	VIOLET	89558-9197	73404-3570	89601-8961	89558-8172	89558-8000	89558-9210	89558-8150
73403-0436	G	GRAY	89558-9196	73404-3570	89601-8961	89558-8172	89558-8000	89558-9210	89558-8150
73403-0435	F	BROWN	89558-9195	73404-3570	89601-8961	89558-8172	89558-8000	89558-9210	89558-8150
73403-0434	E	GREEN	89558-9194	73404-3570	89601-8961	89558-8172	89558-8000	89558-9210	89558-8150
73403-0433	D	BORDEAUX VIOLET	89558-9193	73404-3570	89601-8961	89558-8172	89558-8000	89558-9210	89558-8150
73403-0432	C	BLUE	89558-9192	73404-3570	89601-8961	89558-8172	89558-8000	89558-9210	89558-8150
73403-0431	B	CREAM WHITE	89558-9191	73404-3570	89601-8961	89558-8172	89558-8000	89558-9210	89558-8150
73403-0430	A	BLACK	89558-9190	73404-3570	89601-8961	89558-8172	89558-8000	89558-9210	89558-8150
PART NO.	KEY CODE	COLOR	ITEM NO. 1	ITEM NO. 2	ITEM NO. 3	ITEM NO. 4	ITEM NO. 5	ITEM NO. 6	ITEM NO. 7
			SHROUD	SMB SUB-ASSY	CONTACT (T&R)	CRIMP TUBE	CABLE SEAL	END CAP	ISL NO CS

QUALITY SYMBOLS ▽ = 0 ▽ = 0 ▽ = 0 ▽ = 0 ▽ = 0 ▽ = 0 ▽ = 0 ▽ = 0 ▽ = 0 ▽ = 0	THIS DRAWING CONTAINS INFORMATION THAT IS PROPRIETARY TO MOLEX ELECTRONIC TECHNOLOGIES, LLC AND SHOULD NOT BE USED WITHOUT WRITTEN PERMISSION 2017/09/07 2017/09/21 MIGRATED EC NO: 122054 DRWN: BSHAH CHKD: REV / APPR: AROBERTSON	GENERAL TOLERANCES (UNLESS SPECIFIED) METRIC NTS DRWN BY DATE AROBERTSON 2014/11/18 CHK'D BY DATE SSS 2014/11/18 APPR BY DATE AROBERTSON 2015/04/24		molex® FAKRA JACK SEALED RG174 7 MM CLIP SLOT FAKRA-JC, EWR-10016 PRODUCT CUSTOMER DRAWING	
		DIMENSION UNITS SCALE MM INCH 4 PLACES ± ± 3 PLACES ± ± 0.005 2 PLACES ± 0.13 ± 0.01 1 PLACES ± 0.25 ± 0 PLACES ± ± ANGULAR TOL = 2.0 DRAFT WHERE APPLICABLE MUST REMAIN WITHIN DIMENSIONS	DRAWING SIZE THIRD ANGLE PROJECTION C		
RELEASE STATUS P1 RELEASE DATE 21.09.2017 20:44:22		DOCUMENT NUMBER DOC TYPE DOC PART SHEET NUMBER SD-73403-039 PSD 001 4 OF 4			