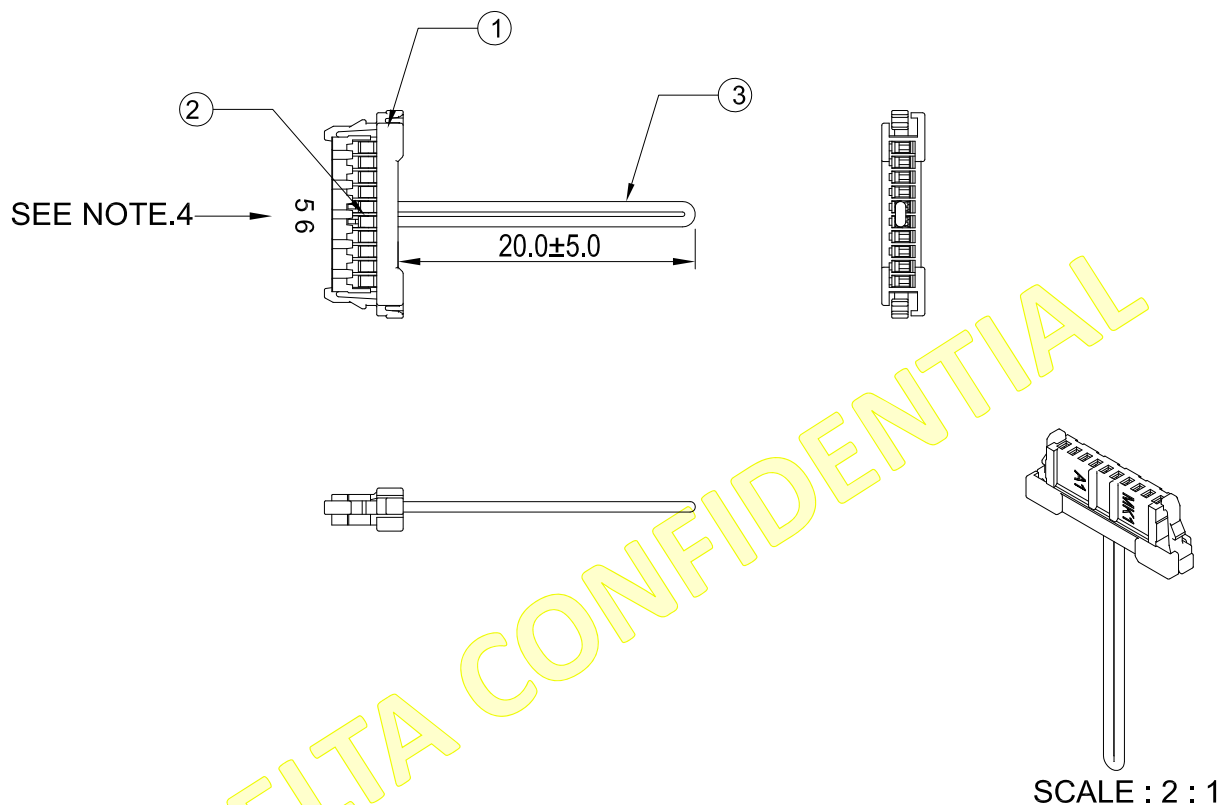



PART LIST			
ITEM	MATERIAL	QTY	DESCRIPTION
1	HOUSING	1	MOLEX:1041421000
2	TERMINAL	2	MOLEX:1045398002
3	WIRE	1	UL10368, 30AWG, BLACK



NOTE:

1. MATERIAL : AS THE PART LIST TABLE.
2. MUST MEET DELTA'S SPEC : 10000-0031, 10000-0038, 10000-0131,10000-0162.
3. MATERIAL MUST BE APPROVED BY DELTA.
4. ONE JUMPER WIRE FROM PIN 5 TO PIN 6
5. PACKAGE : PE BAG

 台達電子工業股份有限公司 DELTA ELECTRONICS, INC.	DRAWN: Tony Yu 05/10'18		DESIGN: Tony Yu 05/10'18	
	THESE DRAWINGS AND SPECIFICATIONS ARE THE PROPERTY OF DELTA ELECTRONICS, INC. AND SHALL NOT BE REPRODUCED OR USED AS THE BASIS FOR THE MANUFACTURE OR SELL OF APPARATUSES OR DEVICES WITHOUT PERMISSION.			
DIMENSIONAL TOLERANCES (± 0.25 for <math><30</math>, ± 0.35 for $>30-100$, ± 0.5 for $>100-300$, ± 0.6 for ABOVE 300) (DECIMALS X for ± 0.3, X.X for ± 0.2, X.XX for ± 0.1) (UP-100 ± 0.2, 100-150 ± 0.25, 150-200 ± 0.3, 200-250 ± 0.35) (250-300 ± 0.4, 300-350 ± 0.45, 350-400 ± 0.5) (UP-600 ± 1.5, 600-900 ± 2.4, 900-OVER ± 3.1)		HOLES : ± 0.05 ANGLES : $\pm 0.5^\circ$		DESCRIPTION: <h1 style="text-align: center;">CABLE</h1>
SCALE 2:1	UNIT mm	USED ON MDS-300APB24 AE	SIZE <h1 style="text-align: center;">A4</h1>	PART NO: <h1 style="text-align: center;">3672990500</h1>
			SHEET 2 OF 2	ISSUE DATE: 05/10'18
				REV. <h1 style="text-align: center;">00</h1>