



Features

Compatibel with
Connector Series
I-PEX Evaflex5 SE GVT
I-PEX Evaflex5 SE GHT

Temperature Rating 1000h/125°C
High flexibility and softness

Mating Connector:

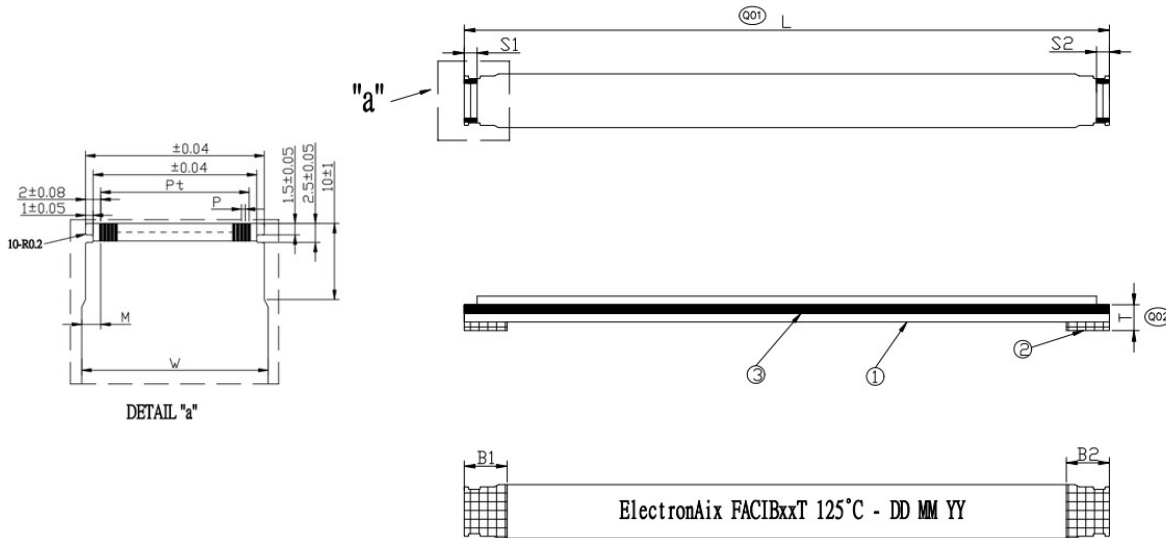
20899-xxE-01 – horizontal 125°C

20799-xxE-01 – vertical 125°C



FASEG-xx-T 125°C FFC unshielded for I-PEX Evaflex5 SE GVT and Evaflex5 SE GHT Series

Dimensions:



Pitch	P	0.5	± 0.05
Total Pitch	Pt	$(N-1) \times 0,5$	$\pm 0,04$
Width	W	$(N+9) \times 0.5$	± 0.07
Insert Thickness	T	0.3	± 0.03
Strip length	S1	2.3	± 0.5
	S2	2.3	± 0.5
Reinforcement tape length	S3	10*	± 1
	S4	10*	± 1
Inner length	IL	$TL - (S1 + S2)$	± 2
Total length	TL	LLL	± 2
No. of pins	N	NN	
Standard Conductor Dimension **	Thickness 1	0.035	± 0.005
	Width	0.3	± 0.02
Slanting	A	< 0.3	

* or customized length

** wire options see below

FASEG-xx-T 125°C FFC unshielded for I-PEX Evaflex5 SE GVT and Evaflex5 SE GHT Series

Possible Types:

A = SAME = Same Side



Print on this side: ElectronAix FACIBxxT

B = OPP = Opposite Side



Print on one side: ElectronAix FACIBxxT

Partnumber:

FASEG			P		-	22		33	GT
FASEG	T	NN	P	LLL	-	22	SS	33	GT
									<i>Gold Plating High Temperature</i>
									Wire Dimension 0,3x0,035 option see below
									SS= Supporter Tape Length; 10= Standard
									<i>Strip Length in mm – no option</i>
									LLL= Total Length in mm
									<i>P=Positions</i>
									NN= No of Wires: 10 to 80
									T= Type: A= same Side / B= Opposite Side
<i>Product Series = FFC Aix for Connector .. SEG..</i>									

Wire options

P/N	Thickness	Width	Resistance (Ohm)	Rated Current
32	0,032	0,28	2.6Ω/m	0.3A
33	0,035	0,3	2.0Ω/m	0.3A
53	0,05	0,3	1.6Ω/m	0.4A

Contact us for customisation:

- Shielded with double side wrapped shield
- Shielded with double side laminated shield
- LVDS with Impedance 90Ohm or 100Ohm – FASEG-x-L – Series up to 17Gbit/sec
- Other wire dimension
- Special print or labels
- Folding

Environmental

The products meet EU RoHS Directive 2011/65/EU, including the delegated regulation (EU) 2015/863
The products meet EU REACH Directive 1907/2006/EU



FASEG-xx-T 125°C FFC unshielded for I-PEX Evaflex5 SE GVT and Evaflex5 SE GHT Series

Specification

1. Scope

For Laminated Flat Cable (Flat Conductor) With Reinforcing Tape

2. Applicable documents

The specification covers the construction and electrical properties of laminated flat cable (Flat Conductor) with reinforcing tape based on UL subject 758.

3. Material

3.1 Insulation: PET, White, T=0.065mm, 125°C 60V VW-1

3.2 P/ Tape: PET, T=0.218mm

3.3 Conductor: Cu, 0.3*0.035mm

3.4 Plating: Au (2µ" min)

4. Rating

4.1 Operating Voltage : 60V

4.2 Current Rating : 0.3A

4.3 Normal use Inserting: 5 cycles

4.4 Ambient Temperature Range: -40 ~ + °C 125°C

4.5 Warehouse Conditions: 25°C±15°C ; ≤60%RH

5. 6. Appearance

Reference 《DOC-JWI-QA0121-XXX FFC Inspection SOP

6 Tests

Item	Test Method	Specification
Conductor resistance	JIS C3102 at 20°C	See Table
Insulation resistance	DC250V (0,5mm Pitch) 20°C DC500V (1,0mm Pitch) 20°C	>100 MOhm >100 MOhm
Dielectric withstanding voltage between conductors	AC250V 1min (0,5mm Pitch) AC500V 1min (1,0mm Pitch)	No Breakdown Current Leakage 1mA max
Flexing	180° bending	>20 Cycles
	U-Bending R5x50mm Stroke 60 cycles / min	>100.000 Cycles
Heat Resistance	+125°C 1200hrs	Insulation and Dielectric withstanding Voltage pass
Temperature Cycling	- 40° 4hrs +25° 2hrs +125° 4hrs +25° 2hrs 50 Cycles	Insulation and Dielectric withstanding Voltage pass
Cold Resistance	-40°C 1200hrs	Insulation and Dielectric withstanding Voltage pass
High Temperature High Humidity	+85°C 85%RH 1200hrs	Insulation and Dielectric withstanding Voltage pass
Salt Spray	+35°C 24hrs PH 6.5-7.2	before and after test, no corrosion and oxidation at contact area

7 Special Attention

- 7.1 Please hold supporting tape then insert or pull out the ffc from a connector in a straight
- 7.2 When insert to connector, please avoid excessive force
- 7.3 After insert to connector, shall be not bended at Supporting-tape excessive, because Joiner is broken
- 7.4 For gold plated FFC, there is the Ni-plating, so please do not bend the FFC at the terminal part of Conductor. Otherwise a crack will be occurred at the plated part;
After insert into the Connector, please also do not bend the FFC at the part of Supporting-tape, Otherwise a crack will be occurred at the plated part.
- 7.5 Please avoid excessive force around supporting-tape
- 7.6 Please evaluate FFC properties in advance when use under Particular condition (High temperature, High Humidity etc). There is possibility to be corrosion afret 6 month
- 7.7 Please avoid the moving wiring at bending portion
- 7.8 Please estimate enough when Joiner is used the moving wiring
- 7.9 When dropped floor, please clean Joiner's leads
- 7.10 Please do not touch the terminal part of Conductor by hand, for it will cause discolored or rusted
- 7.11 Please don't use the sulfurous material, together with FFC due to prevent short circuit between sulfurized conductors
- 7.12 Before Assembly: Expiry Date For One Year
After Assembly: Expiry Date For Fifteen Years