

AD10048P3L-001

100 Watts

Total Power: 100 Watts
Input Voltage: 90 - 264 Vac
of Outputs: Single



Special Features

- Active power factor correction
- EN6100-3-2 compliant
- CE Mark EMC & LVD
- Universal ac input
- Fully regulated output
- Overcurrent, overvoltage and thermal protection
- Constant voltage
- Level V efficiency
- High MTBF
- IEC320 ac receptacle, 3 pin (type C6)
- Built in EMI filter (CISPR 22 Class B)
- AC Input fuse
- Complies with One Watt Input Energy Star / Blue Angel requirement
- POE isolation on output

Safety

- **UL** UL 60950-1
- **CSA** CSA-C22.2 no.60950-1
- **NEMKO** EN/IEC60950-1
- **CB** Certificate and report

Electrical Specifications

Input

Input range:	90 - 264 Vac (wide range)
Frequency:	47 - 63Hz
Inrush current:	40 A maximum @ 264 Vac, cold start 25 °C
Input current:	1.8 A maximum
Efficiency:	90% typical
EMI/RFI:	FCC Part 15, Subpart B Class B & EN55022 (CISPR 22) Class-B
Safety ground leakage current:	3.5 mA maximum @ 50/60 Hz, 264 Vac input

Output

Maximum Power (Po):	100 W
Hold-up time:	10 ms. minimum at full load @ 115 Vac
Overvoltage protection:	53 - 60 V Latching type, recycle ac to reset
Overcurrent protection:	Output short circuit protection auto recover Overload protection @ 110 - 120% above maximum rating
Thermal protection:	105 °C to 120 °C Trip point; output will latch off
Cable/connector:	DC cable length 2.5 mm center plug DC plug center +v DC plug outer -v

Environmental Specifications

Operating temperature:	0 ° to + 45 °C ambient
Storage temperature:	- 40 °C to + 70 °C
Electromagnetic susceptibility:	Designed to meet EN61000-4-2, -4, -5, level 4; EN61000-4-3, -6, 10v/m; EN61000-4-8, -11; EN61000-3-3 and EN61000-3-2 Class A
Humidity:	Operating; non-condensing 5% to 90% RH
MTBF demonstrated:	> 300,000 hours at full load and 25 °C ambient conditions

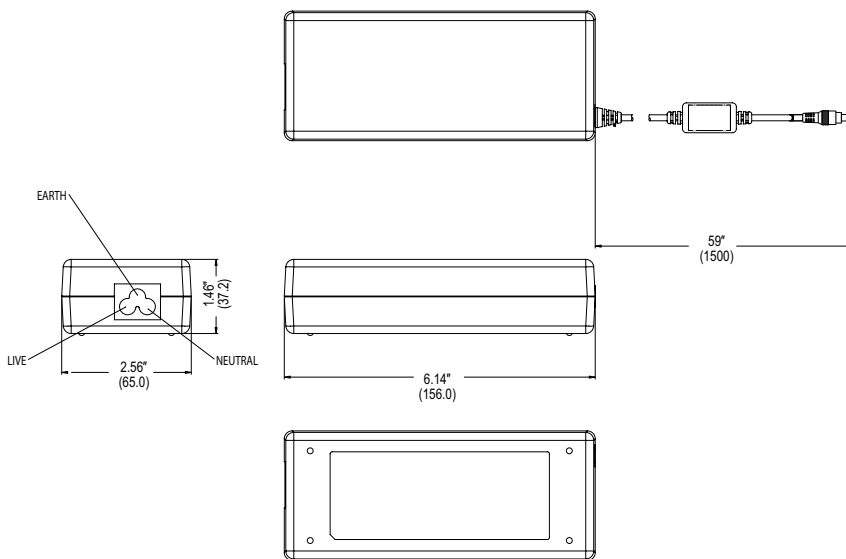


Ordering Information

Model Number	Maximum Power	Output Voltage	Maximum Load	Peak Load ¹	Regulation ²	Ripple P/P (PAR) ³
AD10048P3L-001	100 W	48 Vdc	2.08 A	2.29 A	± 5%	< 500 mV

1. Peak current lasting <4 seconds with a maximum 10% duty cycle.
2. At 25 °C including initial tolerance, line voltage, load currents and output voltages adjusted to factory settings.
3. Peak-to-peak with 20 MHz bandwidth and 10 µF (tantalum capacitor) in parallel with a 0.1 µF capacitor at rated line voltage and load ranges.

Mechanical Drawing



1.47" (H) x 2.56" (W) x 6.14" (L)
37.2 mm (H) x 65.0 mm (W) x 156.0 mm (L)
AC Input Connector: IEC320, C6
AC Input power cord sold separately

Notes:

1. Specifications subject to change without notice.
2. All dimensions in inches (mm), tolerance is ± 0.02" (± 0.5 mm)
3. Warranty: 2 year
4. Weight: 1.11 lb./ 0.5 kg
5. AC input power cord sold separately.
6. Specifications at factory settings at 115 Vac input, 25 °C unless otherwise stated

Americas

5810 Van Allen Way
Carlsbad, CA 92008
USA
Telephone: +1 760 930 4600
Facsimile: +1 760 930 0698

Europe (UK)

Waterfront Business Park
Merry Hill, Dudley
West Midlands, DY5 1LX
United Kingdom
Telephone: +44 (0) 1384 842 211
Facsimile: +44 (0) 1384 843 355

Asia (HK)

14/F, Lu Plaza
2 Wing Yip Street
Kwun Tong, Kowloon
Hong Kong
Telephone: +852 2176 3333
Facsimile: +852 2176 3888

For global contact, visit:

www.Emerson.com/EmbeddedPower
techsupport.embeddedpower@emerson.com

While every precaution has been taken to ensure accuracy and completeness in this literature, Emerson Network Power assumes no responsibility, and disclaims all liability for damages resulting from use of this information or for any errors or omissions.

Emerson Network Power.

The global leader in enabling
business-critical continuity.

- AC Power
- Connectivity
- DC Power
- Embedded Computing
- **Embedded Power**
- Monitoring
- Outside Plant
- Power Switching & Controls
- Precision Cooling
- Racks & Integrated Cabinets
- Services
- Surge Protection

EmersonNetworkPower.com

Emerson Network Power and the Emerson Network Power logo are trademarks and service marks of Emerson Electric Co.
©2011 Emerson Electric Co.