

# DVP-7635HE

## 4-ch Full HD H.264/MPEG4 AHD/CVI/TVI PCIe Video Capture Card with SDK

NEW



### Features

- 4-channel AHD/CVI/TVI/Composite (CVBS) hardware compression
- 30/25 fps (NTSC/PAL) at up to 1920 x 1080p resolution for recording and display for each channel
- PCIe x4 host interface
- Supports Watchdog function
- Windows/Linux OS supported

FCC CE RoHS

### Introduction

DVP-7635HE is a PCIe-bus, hardware compression video capture card with 4ch AHD/CVI/TVI/Composite (CVBS) video and 4 audio inputs. DVP-7635HE supports H.264/MPEG4 compression format at up to Full HD 1080p for each channel. With an easy-to-use software development kit (SDK) and the flexibility to stack multiple cards, DVP-7635HE is an ideal solution for various video capture applications.

### Specifications

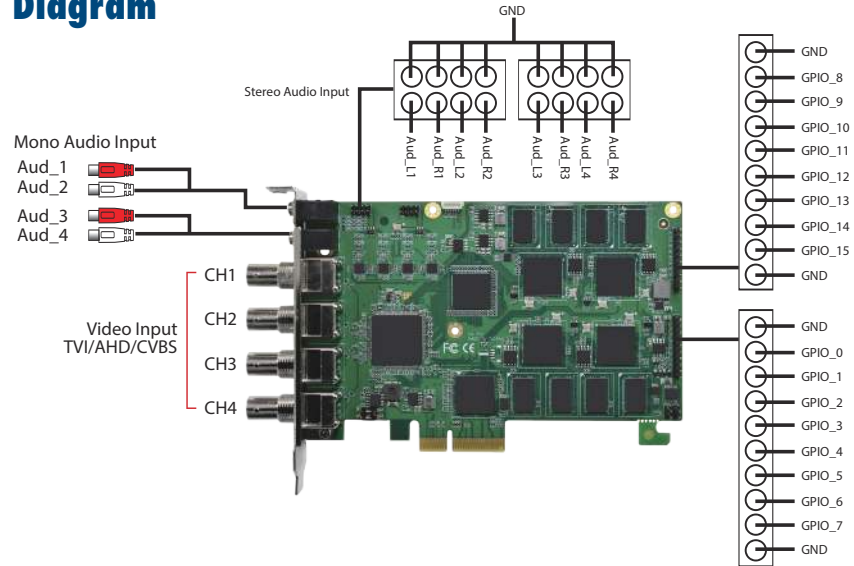
Video	Video Standard	AHD/CVI/TVI
	Video Input	4 x AHD/CVI/TVI/Composite (CVBS)
	Compression	H/W H.264
	Max. Resolution / FPS	1920 x 1080 @ 30/25 FPS (Input) 1920 x 1080 @ 30/25 FPS (Output)
	Raw Data Format	YV12/NV12/YUY2/RGB24/RGB32
Audio	Audio Input	2 x 3.5mm Audio
	Format	Stereo/16 bits/32000-48000 Hz
System Requirements	CPU (Display)	Intel® Core™ i3-4330
	CPU (Recording)*	Intel® Core™ i3-4330
	Memory	4GB
	VGA	1024 x 768, DirectX 9.0c
	Operating System	Windows XP/XPe/Vista/7/8/8.1/10; Linux 2.6.14 or higher; 32/64 bits
Physical Characteristics	Host Interface	PCIe x4
	Operating Temperature	-20 ~ 70 °C (-4 ~ 158 °F)
	Storage Temperature	-40 ~ 85 °C (-40 ~ 185 °F)
	Dimension (L x H)	150 x 101 mm (5.9" x 3.9")
	Safety	CE/FCC

### Versatile SDK Support (For Windows Only)

Advantech provides software development kit (SDK), a set of development tools that allows a software engineer to integrate video capture modules into different types of system. Functions include video recording, playback and instant preview.

- Software Library
- SDK Manual
- Sample Program

## Connection Diagram



## Ordering Information

Part Number	Description
DVP-7635HE	4-ch Full HD H.264/MPEG4 AHD/CVI/TVI/Composite (CVBS) PCIe Video Capture Card with SDK

## Packing List

Item	Amount
DVP-7635HE Capture Card	1 (piece)
Audio Cable	2 (piece)