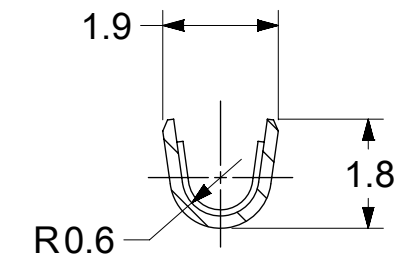
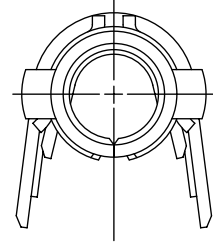
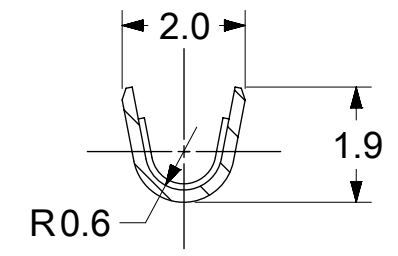


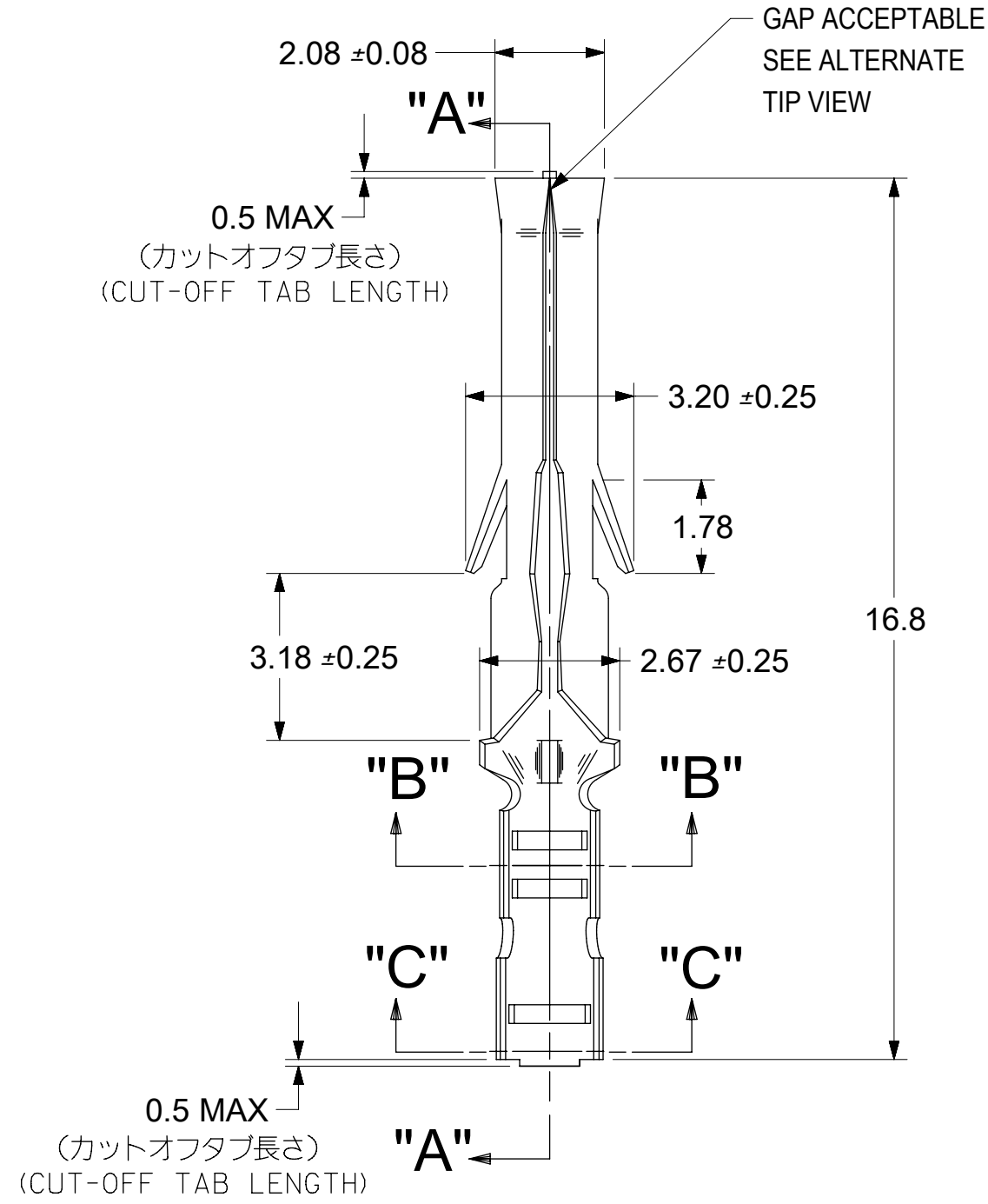
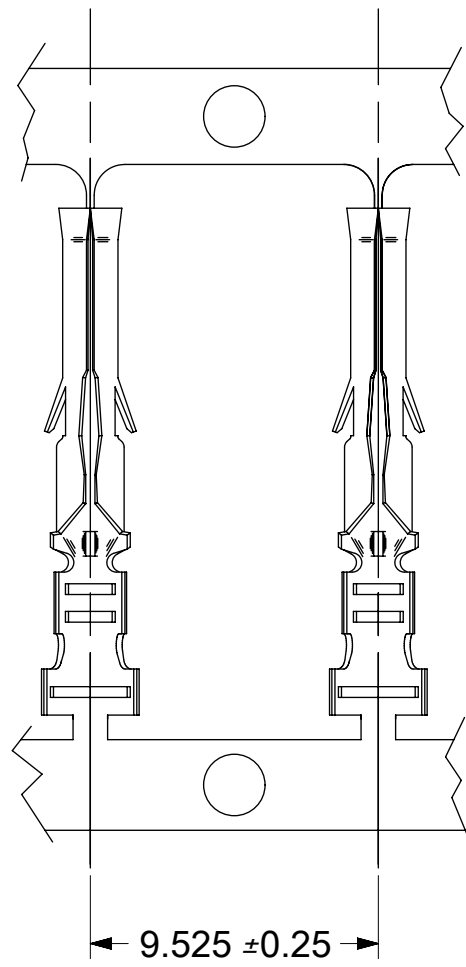
ALTERNATE TIP GEOMETRY  
SEE NOTE 7



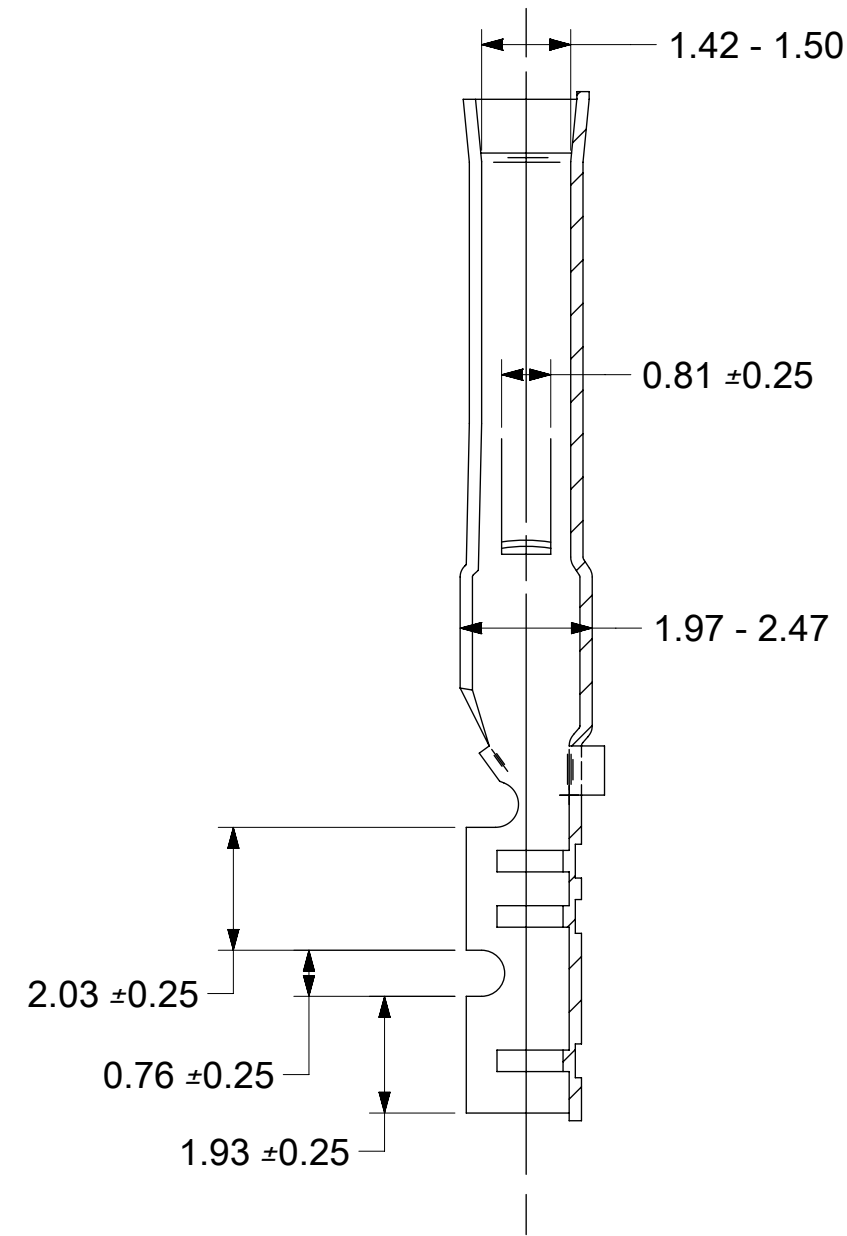
SECT. "B-B"



SECT. "C-C"



SECT. "A-A"



NOTES:

1. MATERIAL: BRASS
2. FINISHES: SEE CHART
3. PRODUCT SPECIFICATION: PS-02-06
4. PACKAGE INFORMATION: 18550000-PK
5. TERMINAL FOR USE WITH (1.57)/.062 DIA. SERIES HOUSINGS AND WILL ACCEPT 22 THRU 28 AWG WIRE WITH 1.1-1.5 INSULATION DIAMETER.
6. PARTS CONFORM TO CLASS B REQUIREMENTS OF COSMETIC SPECIFICATION PS-45499-002.
7. TIP GEOMETRY IS TOOL DEPENDENT. EITHER GEOMETRY IS ACCEPTABLE.

一般公差 : ±0.4  
GENERAL TOLERANCES : ±0.4

材料 MATERIAL	黄銅 BRASS	0.2 t
仕上げ FINISH	—	
適用電線範囲 WIRE RANGE	AWG#22-#28	
被覆外径 INS. RANGE	∅ 1.1~1.5	

銅 (0.5 μm MIN.) 下地 錫 (0.9 μm MIN.) TIN (0.9 μm MIN.) OVER COPPER (0.5 μm MIN.)	39-00-0339	1855TL	バラ端子 LOOSE
メッキ PLATING	EDP.NO.	ENG.NO.	連鎖端子 CHAIN 形状 FORM

SYMBOLS		THIS DRAWING CONTAINS INFORMATION THAT IS PROPRIETARY TO MOLEX ELECTRONIC TECHNOLOGIES, LLC AND SHOULD NOT BE USED WITHOUT WRITTEN PERMISSION		CURRENT REV DESC: RELEASED		<b>molex</b>	
▽ = 0	mm	SCALE	8:1	EC NO: 632666			
▽ = 0	GENERAL TOLERANCES (UNLESS SPECIFIED)		DRWN: MKIPPER		2019/03/07	DOCUMENT NUMBER	
▽ = 0	ANGULAR TOL ± °		CHK'D: DSTEIER		2020/02/26	DOC TYPE   DOC PART   REVISION	
▽ = 0	4 PLACES ±		APPR: FSMITH		2020/06/05	18550001-SD	
▽ = 0	3 PLACES ±		INITIAL REVISION:		2019/03/07	PSD 000 A	
▽ = 0	2 PLACES ±		DRWN: MKIPPER		2020/06/05	MATERIAL NUMBER	
▽ = 0	1 PLACE ±		APPR: FSMITH		2020/06/05	CUSTOMER	
▽ = 0	0 PLACES ±		DRAFT WHERE APPLICABLE MUST REMAIN WITHIN DIMENSIONS		THIRD ANGLE PROJECTION	DRAWING	
▽ = 0	DRAFT WHERE APPLICABLE MUST REMAIN WITHIN DIMENSIONS		C-SIZE		SERIES	1855	
SEE CHART		GENERAL MARKET		SHEET NUMBER		1 OF 1	