

FDDS100H06_F085 Smart High Side Switch

Features

- Short circuit protection
- Current limitation
- Thermal shutdown with restart.
- Overvoltage protection(including load dump)
- Very low standby current
- Under voltage and over voltage shutdown with auto-restart and hysteresis.
- Fast demagnetization of inductive loads
- Open load detection in ON-state
- CMOS compatible input
- ESD protection
- Optimized static electromagnetic compatibility
- Open drain fault output
- Qualified to AEC Q100

Typical Applications

- Power switch with diagnostic feedback for DC ground loads
- All types of resistive, inductive, and capacitive loads
- Replace electromechanical relays, fuses and discrete circuits

Description

N channel power FET with charge pump, ground referenced CMOS compatible input and diagnostic output with integrated protective functions.

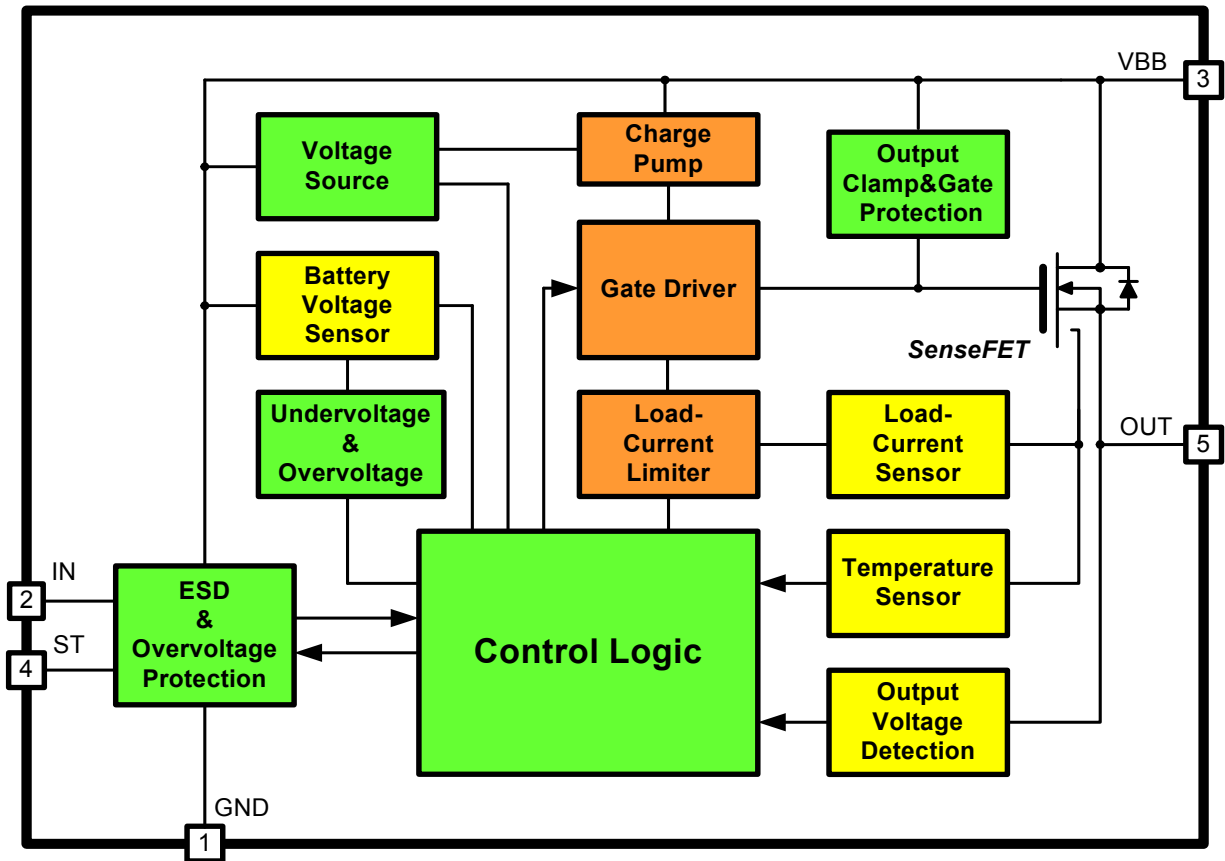
TO252-5L



Ordering Information

Device	Package	Operating Temp.
FDDS100H06_F085	TO252- 5L	-40 °C ~ 150 °C

Block Diagrams



Pin Definitions

Pin Number	Pin Name	I/O	Pin Function Description
1	GND	P	Ground
2	IN	A	Input, activates the power switch in case of logic high
3	Vbb	P	Supply voltage; Pin3 and TAB are internally shorted
4	ST	A	Fault signal feedback; low on failure
5	OUT	A	Output to loads

Absolute Maximum Ratings

At Tj=25°C unless otherwise specified.

Parameter	Symbol	Values	Unit	
Supply voltage ¹⁾	V _{bb}	37	V	
Supply voltage for full short circuit protection	V _{bb}	34	V	
Load dump protection V _{LoadDump} = UA + VS, UA=13.5V Ri=2Ω, RL=12Ω, td=400ms, IN=Low or High	V _{LoadDump} ²⁾	60	V	
Load current (Short-circuit current) ³⁾	IL	Self-limited	V	
Operating temperature range	T _j	-40 ~ 150	°C	
Storage temperature range	T _{stg}	-55 ~ 150	°C	
Power Dissipation(DC) TC ≤ 25 °C	P _{tot}	41.6	W	
Inductive load switch-off energy dissipation ⁴⁾ Single pulse, IL= 2.67A, L=100mH, V _{bb} =12V, Tj=150°C	EAS	0.425	J	
Electrostatic discharge capability (ESD)	HBM (Human Body Model)	V _{ESD}	4	KV
	CDM (Charged Device Model)		2	KV
Input Voltage (DC)	V _{IN}	-0.5 ... + 5.4	V	
Current through input pin(DC)	I _{IN}	+/-2	mA	
Current through status pin(DC)	I _{ST}	+/-5	mA	

Note:

1) See also on page 04.

2) V_{Load dump} is setup without the DUT connected to the generator.

3) See also diagram on page 05.

4) not subject to production test, specified by design. See also on page 10.

Electrical Characteristics

At T_j=25°C, V_{bb}=12V unless otherwise specified.

Parameter	Symbol	Conditions	Min.	Typ.	Max.	Unit
Thermal Characteristics						
Thermal resistance	R _{thJC}	(junction to case)	-	-	3	K/W
	R _{thJA}	Mini. footprint (junction to ambient)	-	99	-	-
		1 Inch ² device on PCB ¹⁾	-	35	45	-
Load Switching Capability and Characteristics						
On-state resistance(Pin3 to pin 5)	R _{ON}	V _{IN} =5V, V _{bb} =12V, I _L =2.5A T _j =25°C V _{IN} =5V, V _{bb} =12V, I _L =2.5A T _j =150°C	-	80 160	100 200	mΩ
Nominal load current(tab to pin5)	I _{L(NOM)}	SMD ¹⁾ V _{ON} ≤ 0.5V, T _a =85°C, T _j ≤150°C	2.8	3.0	-	A
Turn-on time (to 90% V _{OUT})	t _{on}	RL=12Ω, T _j = -40~ 150°C	24	70	170	us
Turn-off time (to 10% V _{OUT})	t _{off}	RL=12Ω, T _j = -40~ 150°C	10	66	170	us
Slew rate on (10% to 30% V _{OUT})	dV / dt _{on}	RL=12Ω, T _j = -40~ 150°C	0.2	0.8	1.5	V/us
Slew rate off (70% to 40% V _{OUT})	-dV / dt _{off}	RL=12Ω, T _j = -40~ 150°C	0.2	0.8	3	V/us
Operating Parameters						
Operating Voltage	V _{bb(ON)}	T _j = -40~ 150°C	5.5	-	37	V
Over voltage shutdown	V _{bb(SD)}	T _j = -40~ 150°C	38	43.5	48	V
Over voltage restart	V _{bb(RE)}	T _j = -40~ 150°C	37.5	-	-	V
Over voltage hysteresis	V _{bb(HYS)}	T _j = -40~ 150°C	-	0.5	-	V
Under voltage shutdown ²⁾	V _{bb(u)}	T _j = -40~ 150°C	2.5	3.5	-	V
Under voltage restart	V _{bb(u rst)}	T _j = -40~ 150°C	-	4.2	5.2	V
Under voltage restart of charge pump	V _{bb(ucp)}	T _j = -40~ 150°C	-	5	5.5	V
Overvoltage protection ³⁾	V _{bb(AZ)}	I _{bb} =40mA, T _j =-40 ~ 150°C	49	54	62	V
Standby current	I _{bb(off)}	V _{IN} =0, T _j = -40~ 150°C	-	4.8	15	uA
Leakage output current	I _{L(off)}	V _{IN} =0, T _j = -40~ 150°C	-	-	15	uA
Operating current ⁴⁾	I _{bb(GND)}	V _{IN} =5V, T _j = -40~ 150°C	-	0.5	2.0	mA

Note:

1) Device on 76.2mm * 114mm * 1.57mm glass epoxy PCB FR4 with 1inch²(one layer 70um) copper area. still air condition.

2) Refer to page 13. Should reset I_N to restart in case battery voltage comes back to normal operating range after undervoltage shutdown.

3) See also V_{ON(CL)} in table of protection functions and circuit diagram on page 14.

4) Add I_{ST}, if I_{ST}>0, and add I_{IN}, if V_{IN} > 5.5V

Electrical Characteristics

At Tj=25°C, Vbb=12V unless otherwise specified

Parameter	Symbol	Conditions	Min.	Typ.	Max.	Unit
Protection Functions ¹⁾						
Short circuit current limit (pin3 to pin 5) VON > VON(SC)	IL(SCP)	Tj=-40°C Tj=25°C Tj=150°C	9 7 4	15 12 7	24 19 10	A
Short Circuit detection voltage	VON(SC)		-	4	-	V
Short Circuit shutdown delay time	td(SC)	Tj=-40°C ~ 150°C Minimum Input low time : 60us	80	250	530	us
Output clamp(inductive load switch off) at VOUT= Vbb-VON(CL)(overvoltage) ²⁾	VON(CL)	IL=40mA Tj=-40°C ~ 150°C	50	56.5	63	V
Thermal overload trip temperature	Tjt		150	170	-	°C
Thermal hysteresis	ΔTjt	VIN =5V	-	10	-	K
Reverse battery voltage ³⁾	-Vbb		-	-	32	V
Diagnostic Characteristics						
Open load detection current	IL(OL)	VIN =5V, Tj=-40 ~ 150°C	12	-	480	mA
Input & Status Feedback ⁴⁾						
Input Resistance	RI	Tj=-40 ~ 150°C	2.4	3.0	3.6	KΩ
Input turn-on threshold voltage	VINH	Tj=-40 ~ 150°C	-	2.2	2.9	V
Input turn-off threshold voltage	VINL	Tj=-40 ~ 150°C	1.2	-	-	V
Off state input current	IIN(OFF)	VIN=0V, Tj=-40 ~ 150°C	-	-	1	uA
On state input current	IIN(ON)	VIN=3.5V, Tj=-40 ~ 150°C	20	45	70	uA
Initial open load delay time	td(ST)	Tj=-40 ~ 150°C	-	380	750	us
Delay time for status with open load while ON ⁵⁾	td(ON_OL)	Normal --> Open load, Tj=-40 ~ 150°C	10	30	90	us
Delay time for status with open load while ON	td(ON_Nor)	Open load --> Normal, Tj=-40 ~ 150°C	10	30	90	us
Status output(open drain) for high level	VSTH	IST=1.6mA, Tj=-40 ~ 150°C	5.4	6.3	-	V
Status output(open drain) for low level	VSTL	IST=1.6mA, Tj=-40 ~ 150°C			0.6	V

notes:

- 1) Integrated protection functions are designed to prevent IC destruction under fault conditions described in the data sheet. Fault conditions are considered as "outside" normal operating range. Protection functions are not designed for continuous repetitive operation.
- 2) See the page12
- 3) Required 150Ω resistor in GND PIN. Note that the power dissipation is higher compared to normal operation condition due to the voltage drop across the intrinsic drain-source diode. The temperature protection is not active during reversrse current operation. IN and ST currents have to be limited by max rating.
- 4) If a ground resistor RGND is used, add the voltage drop across this resistor.
- 5) Guaranteed by design.

Application Information

1. Truth Table

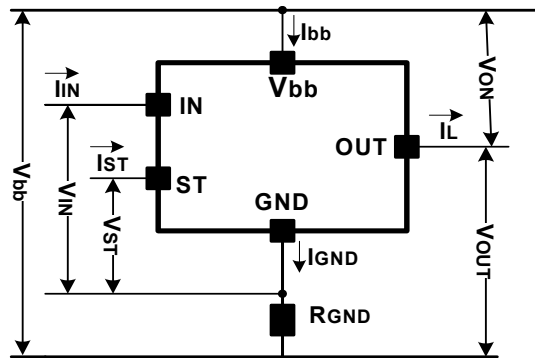
Sense current under fault conditions	Input Level	Output Level	Status
Normal operation	L	L	H
	H	H	H
Open load	L	X ¹⁾	H
	H	H	L
Short circuit to Vbb	L	H	L ²⁾
	H	H	H (L ³⁾)
Short circuit to GND	L	L	H
	H	L	L ⁴⁾
Overtemperature	L	L	L
	H	L	L
Undervoltage	L	L	H
	H	L	H (L ⁵⁾)
Overvoltage shutdown	L	L	H
	H	L	H

L = "LOW" Level, Z = High impedance, potential depends on external circuit, H = "HIGH" Level

Notes:

- 1) Power TR off, high impedance.
- 2) An short of output to Vbb ,in the off state, causes an internal current from output to ground. If RGND is used, an offset voltage at the GND and ST pins will occur and VSTL signal may be errorious.
- 3) Low resistance to Vbb may be detected in ON-state by the no-load-detection.
- 4) Latched and reset by input. Low resistance to Vbb may be detected in ON-state by the no-load-detection.
- 5) Should reset IN to restart in case battery voltage comes back to normal operating range after undervoltage shutdown and status = "Low" level.

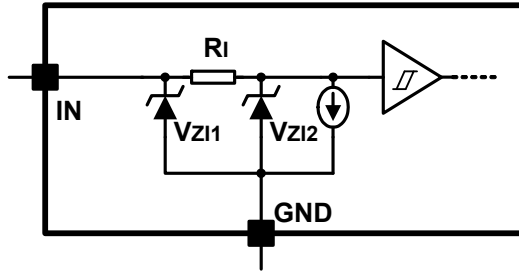
2. Terms



Notes:

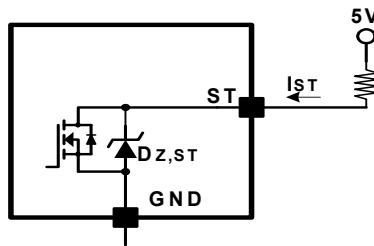
3. Detailed Function Blocks

3.1 Input circuit (ESD protection)



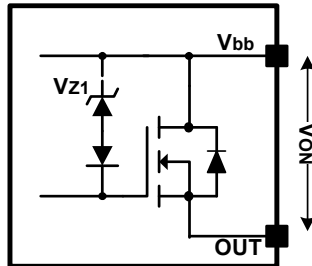
$V_{Z11} = 16V$ (typ.), $V_{Z12} = 6.1V$ (typ.). $R_i = 3K$.

3.2 Status output



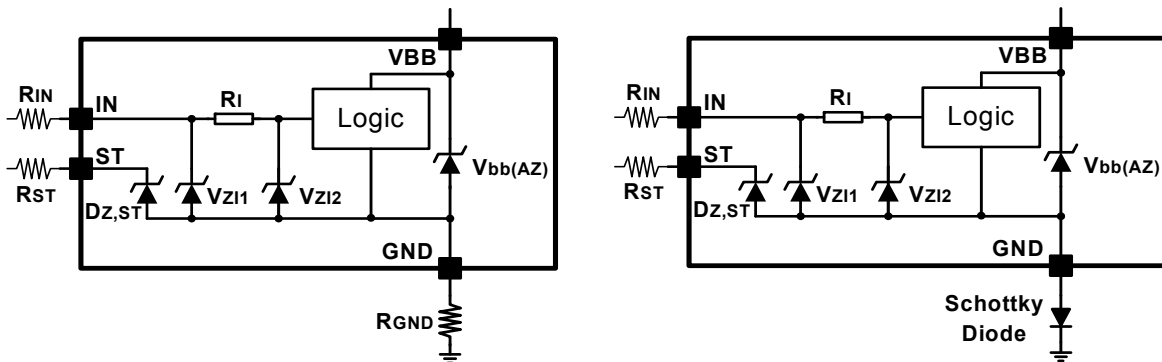
$V_{Dz,ST} = 6.1V$ (typ.), Max 5mA. with $I_{ST} = 1.6mA$. Low level of ST is 0.6(Max).

3.3 Inductive and overvoltage output clamp



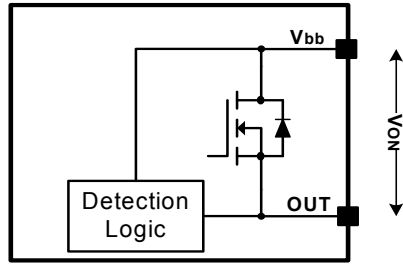
V_{ON} is clamped to $V_{ON(CL)} = 59V$ (Typ).

3.4 Overvoltage and reverse battery protection



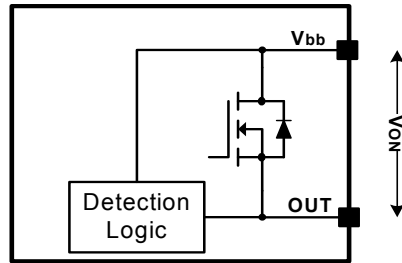
$V_{Dz,ST} = 6.1V$ (Typ), $V_{Z11} = 16V$ (typ.), $V_{Z12} = 6.1V$ (Typ). $R_{GND} = 150\Omega$ typ. $V_{bb(AZ)} = 54V$ (typ).

3.5 Open load detection.



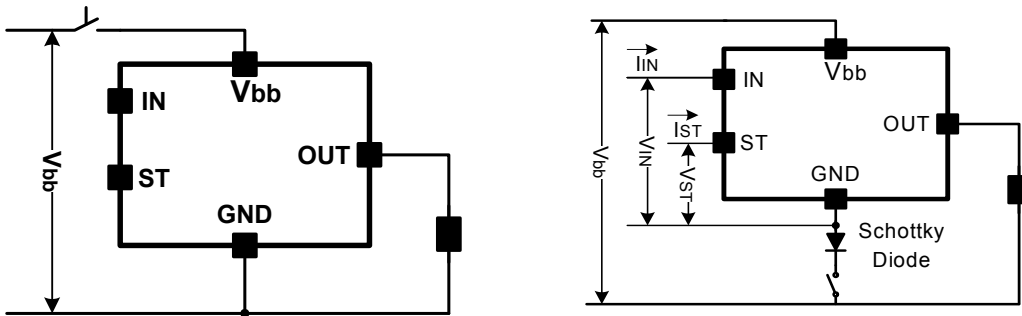
Open load is detected when $IN=H$ and $V_{ON} < R_{on} * I_{L(OL)}$.

3.6 Short circuit detection.



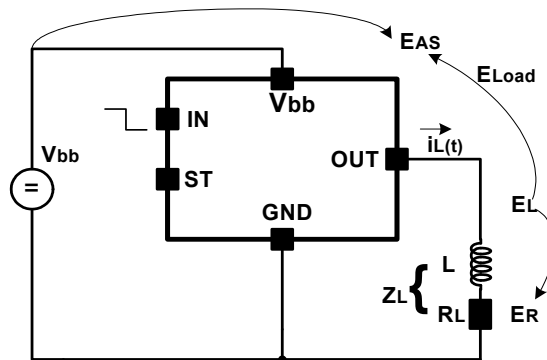
Short circuit is detected when $V_{ON} > 4V$.(Typ) and $t > t_{(asc)}$, typically 250us.

3.7 Vbb disconnect with energized inductive load and GND disconnect



Nominal load current can be handled by the device itself.

3.8 Inductive load switch-off energy dissipation



Energy stored in load inductance:

$$E_L = 1/2 \cdot L \cdot I_L^2$$

While demagnetizing load inductance, the energy dissipated in MOSFET is

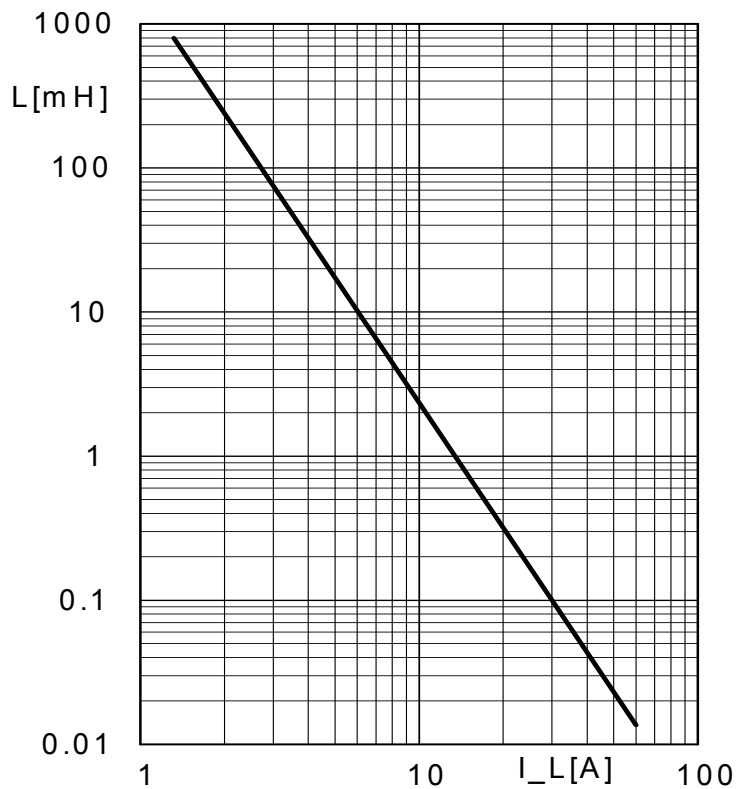
$$E_{AS} = E_{bb} + E_L - E_R = \int V_{ON(CL)} \cdot i_L(t) dt$$

with an approximate solution for $RL > 0$:

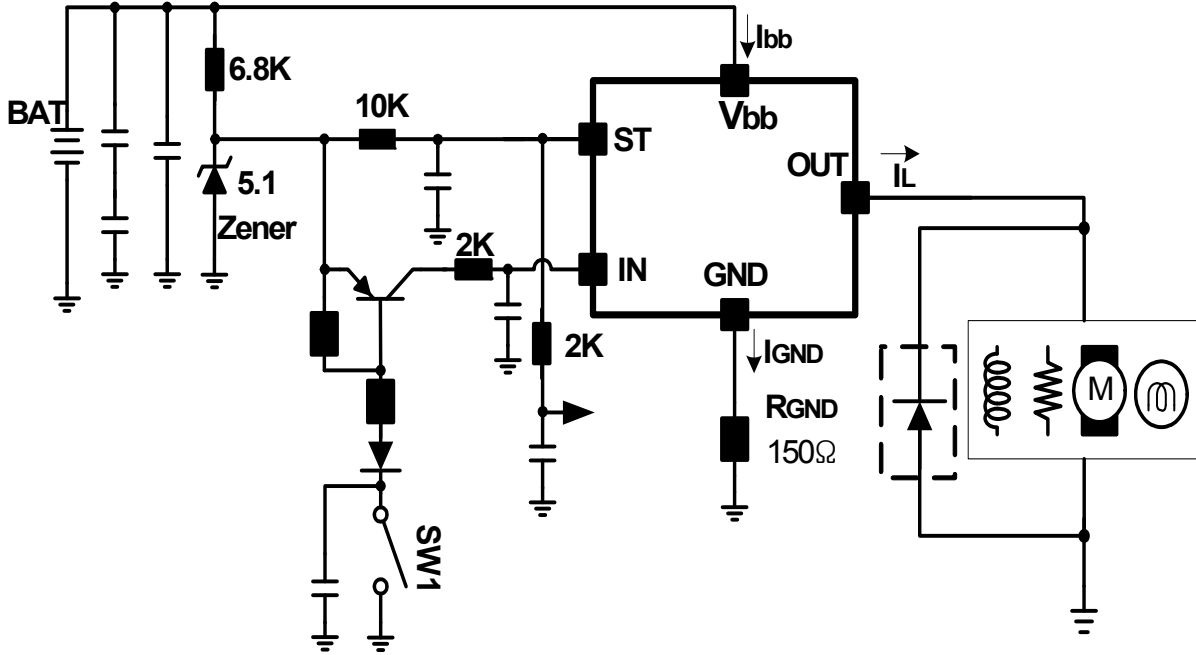
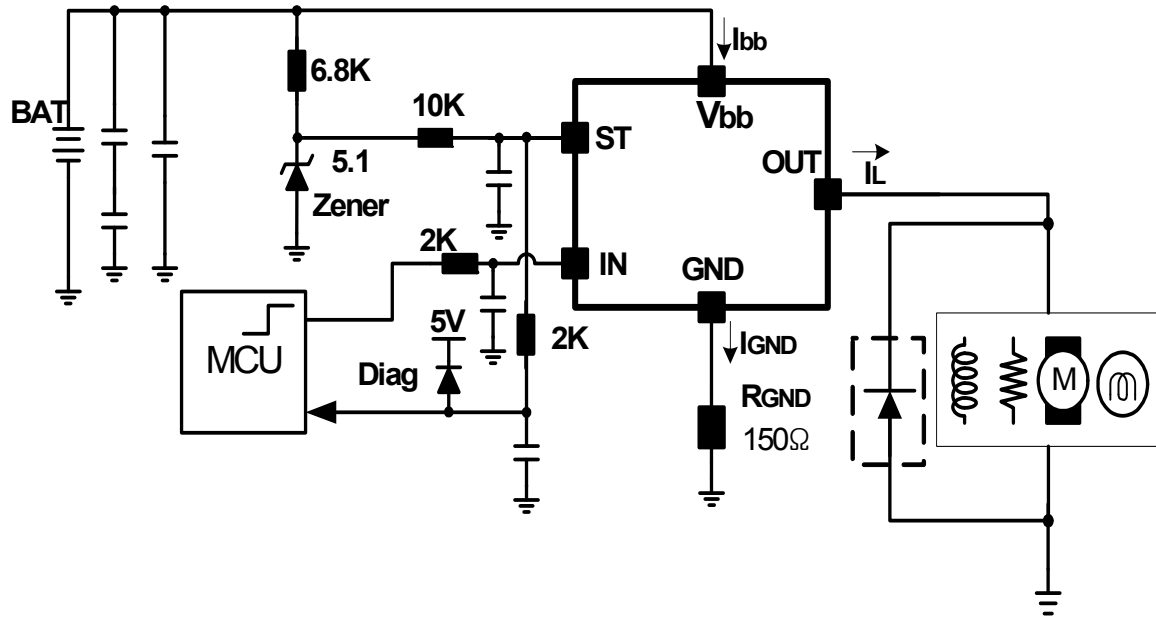
$$E_{AS} = \frac{I_L \cdot L}{2 \cdot R_L} (V_{ON(CL)}) \ln \left(1 + \frac{I_L \cdot R_L}{|V_{OUT(CL)}|} \right)$$

3.9 Maximum allowable load inductance for a single switch off

$L=f(I_L)$; $T_{j,start} = 150^{\circ}\text{C}$, $V_{bb}=12\text{V}$, $R_L = 0\Omega$



Typical Application Circuit



Timing Diagram

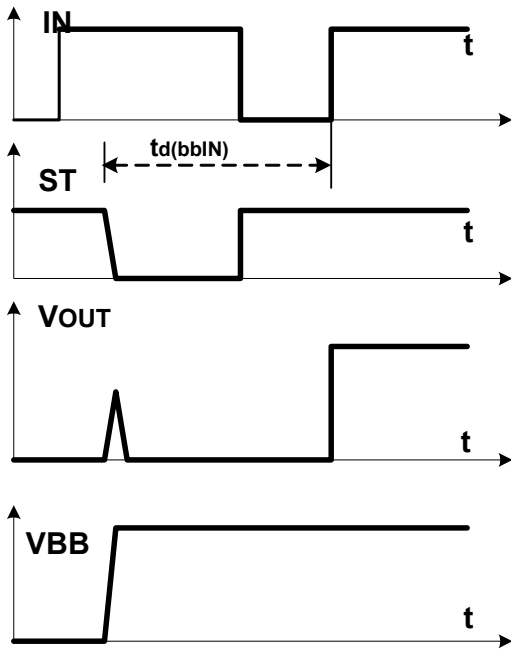


Figure 1. Vbb turn-on switching a lamp

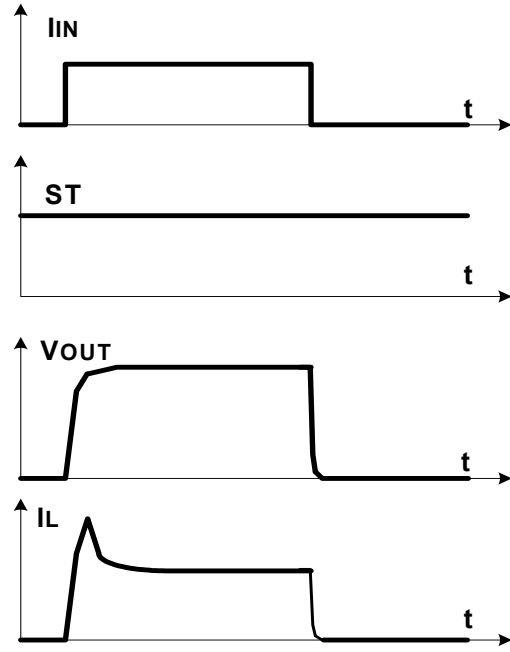


Figure 2a. Switching motors and lamps

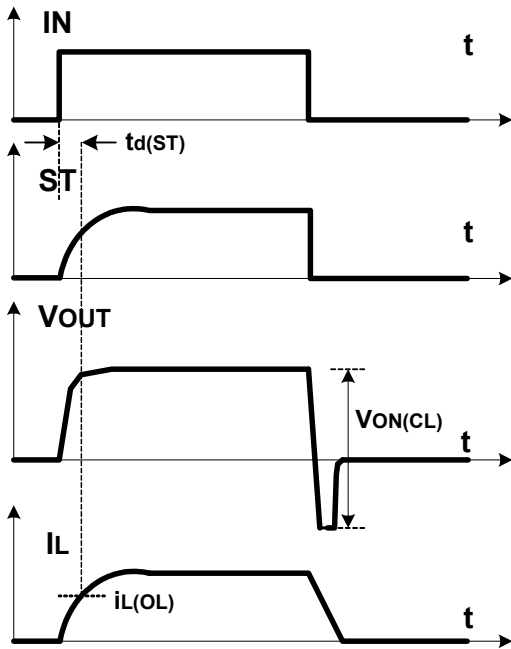


Figure 2b. Switching an inductive load

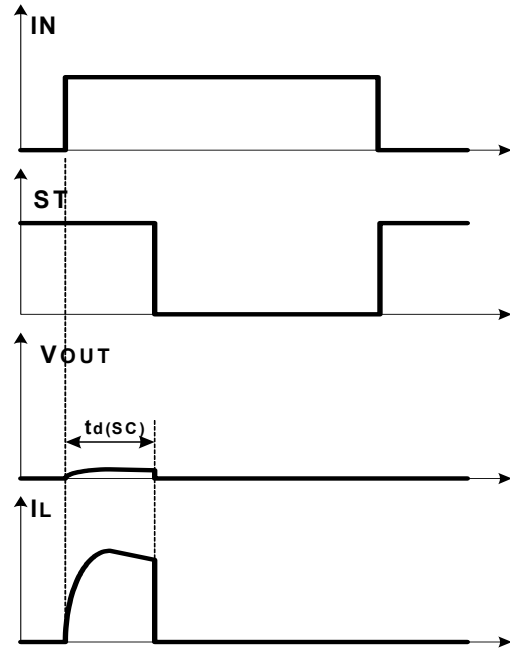


Figure 3. Turn-on into short circuit

In case of $V_{ON} > V_{ON(SC)}$ (typ. 4V) the device will be switched off by internal short circuit detection

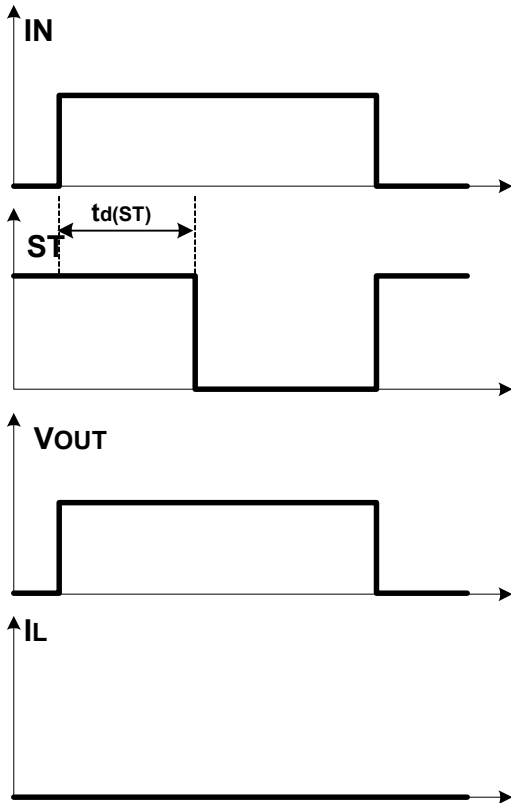


Figure 4a. Open load detection while being open

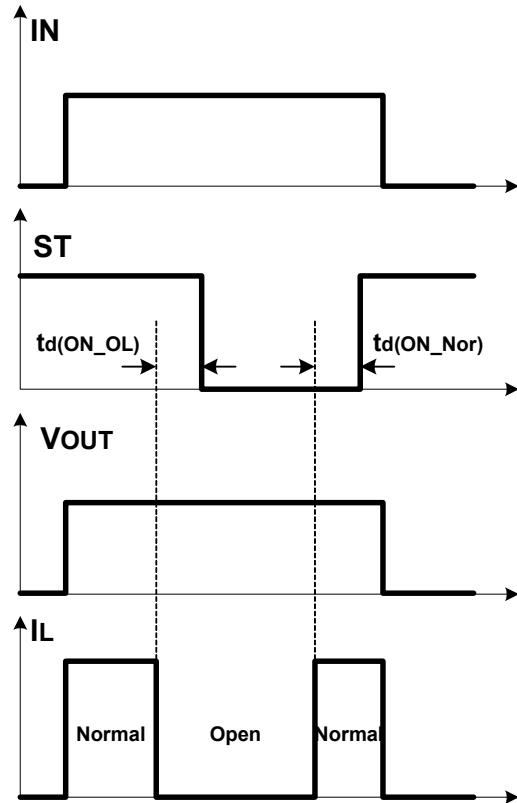


Figure 4b. Open load detection while turning-on

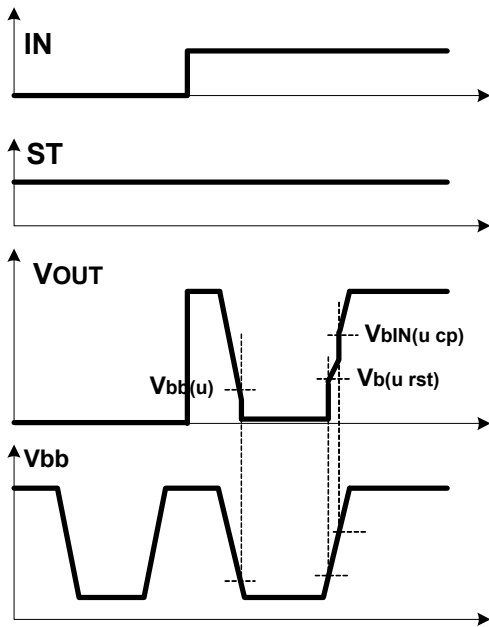


Figure 5a. Undervoltage

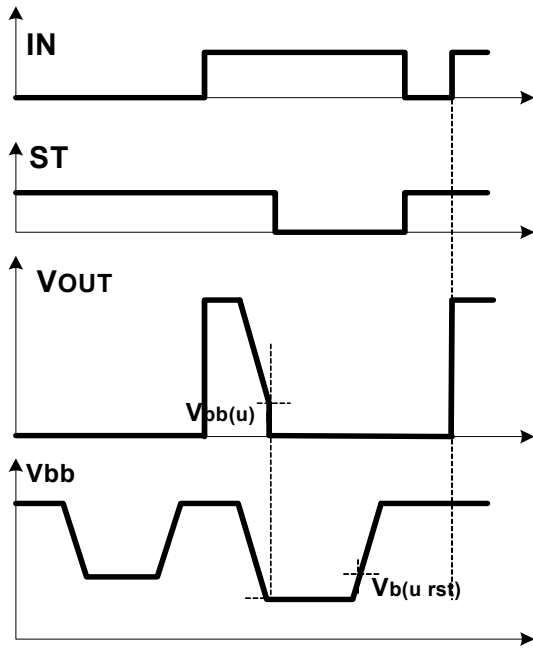


Figure 5b. Undervoltage restart of charge pump

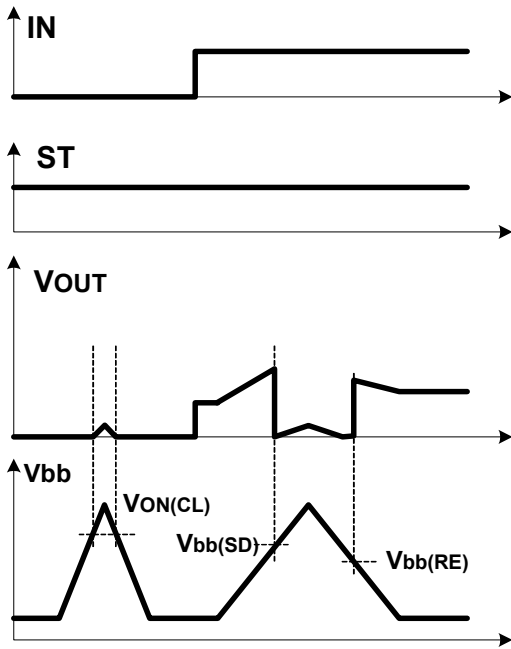


Figure 6. Overvoltage

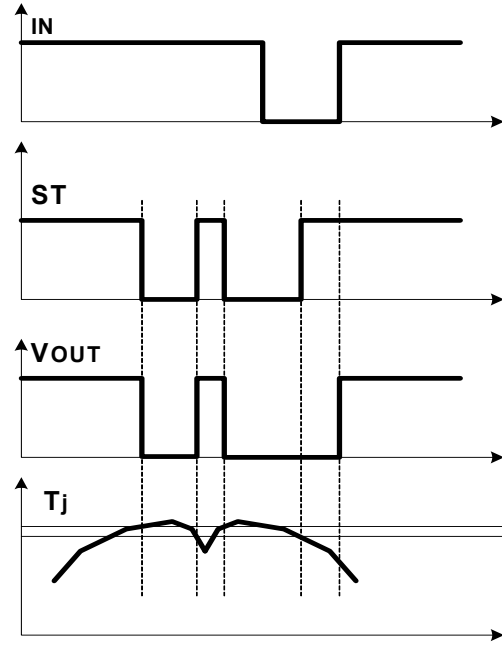


Figure 7. Over temperature

TRADEMARKS

The following are registered and unregistered trademarks Fairchild Semiconductor owns or is authorized to use and is not intended to be an exhaustive list of all such trademarks.

ACEx™	FACT Quiet Series™	ISOPLANAR™	POP™	SuperFET™
ActiveArray™	FAST®	LittleFET™	Power247™	SuperSOT™-3
Bottomless™	FASTr™	MICROCOUPLER™	PowerTrench®	SuperSOT™-6
CoolFET™	FPST™	MicroFET™	QFET®	SuperSOT™-8
CROSSVOLT™	FRFET™	MicroPak™	QS™	SyncFET™
DOMET™	GlobalOptoisolator™	MICROWIRE™	QT Optoelectronics™	TinyLogic®
EcoSPARK™	GTO™	MSX™	Quiet Series™	TINYOPTO™
E ² CMOS™	HiSeC™	MSXPro™	RapidConfigure™	TruTranslation™
EnSigna™	IC™	OCX™	RapidConnect™	UHC™
FACT™	ImpliedDisconnect™	OCXPro™	SILENT SWITCHER®	UltraFET®
Across the board. Around the world.™		OPTOLOGIC®	SMART START™	VCX™
The Power Franchise™		OPTOPLANAR™	SPM™	
Programmable Active Droop™		PACMAN™	Stealth™	

DISCLAIMER

FAIRCHILD SEMICONDUCTOR RESERVES THE RIGHT TO MAKE CHANGES WITHOUT FURTHER NOTICE TO ANY PRODUCTS HEREIN TO IMPROVE RELIABILITY, FUNCTION OR DESIGN. FAIRCHILD DOES NOT ASSUME ANY LIABILITY ARISING OUT OF THE APPLICATION OR USE OF ANY PRODUCT OR CIRCUIT DESCRIBED HEREIN; NEITHER DOES IT CONVEY ANY LICENSE UNDER ITS PATENT RIGHTS, NOR THE RIGHTS OF OTHERS.

LIFE SUPPORT POLICY

FAIRCHILD'S PRODUCTS ARE NOT AUTHORIZED FOR USE AS CRITICAL COMPONENTS IN LIFE SUPPORT DEVICES OR SYSTEMS WITHOUT THE EXPRESS WRITTEN APPROVAL OF FAIRCHILD SEMICONDUCTOR CORPORATION. As used herein:

- | | |
|---|---|
| <p>1. Life support devices or systems are devices or systems which, (a) are intended for surgical implant into the body, or (b) support or sustain life, or (c) whose failure to perform when properly used in accordance with instructions for use provided in the labeling, can be reasonably expected to result in significant injury to the user.</p> | <p>2. A critical component is any component of a life support device or system whose failure to perform can be reasonably expected to cause the failure of the life support device or system, or to affect its safety or effectiveness.</p> |
|---|---|

PRODUCT STATUS DEFINITIONS

Definition of Terms

Datasheet Identification	Product Status	Definition
Advance Information	Formative or In Design	This datasheet contains the design specifications for product development. Specifications may change in any manner without notice.
Preliminary	First Production	This datasheet contains preliminary data, and supplementary data will be published at a later date. Fairchild Semiconductor reserves the right to make changes at any time without notice in order to improve design.
No Identification Needed	Full Production	This datasheet contains final specifications. Fairchild Semiconductor reserves the right to make changes at any time without notice in order to improve design.
Obsolete	Not In Production	This datasheet contains specifications on a product that has been discontinued by Fairchild semiconductor. The datasheet is printed for reference information only.

Rev. 17