

PRODUCT NUMBER

87610-YXXLF

RoHS COMPATIBLE, SEE NOTE 7

PLATING

2 = 0.76µm GOLD/GXT  
(PdNi WITH GOLD FLASH) ON CONTACT AREA  
2µm MIN MATTE TIN ON TAIL

UNDERPLATE : 1.27µm Ni MIN

NOTES:

1 - HOUSING MAT'L : GLASS FILLED THERMOPLASTIC. UL94V-0 COLOR: BLUE

2 - PIN MATERIAL : PHOSPHOR BRONZE

3 - PRODUCT PACKAGED IN TUBES.

4 - TO DETERMINE DIMENSIONS :  
N = NUMBER OF POSITIONS PER ROW  
EXAMPLE : 8 POS N x 2.54 = 20.32mm

NO RIGHT POLARIZATION FOR POS 04, 06, 08.

5 - NO LEFT POLARIZATION FOR POS 04, 06, 08, 14.

6 - RETENTION LEGS IN THE CENTER OF THE CONNECTOR.

7 - RoHS COMPATIBLE PRODUCT SPECIFICATIONS

a - PLATING:

- "LF" MEANS THE PRODUCT IS LEAD-FREE,  
2µm MINIMUM MATTE TIN OVER 1.27µm  
MINIMUM NICKEL UNDERPLATE.

b - MANUFACTURING PROCESS COMPATIBILITY

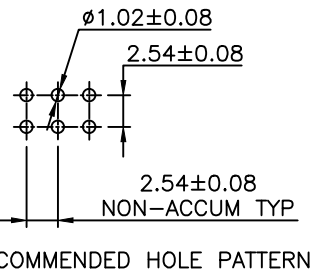
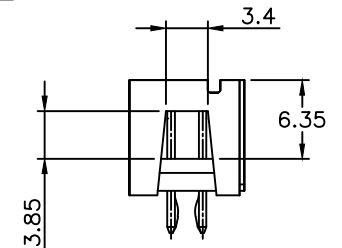
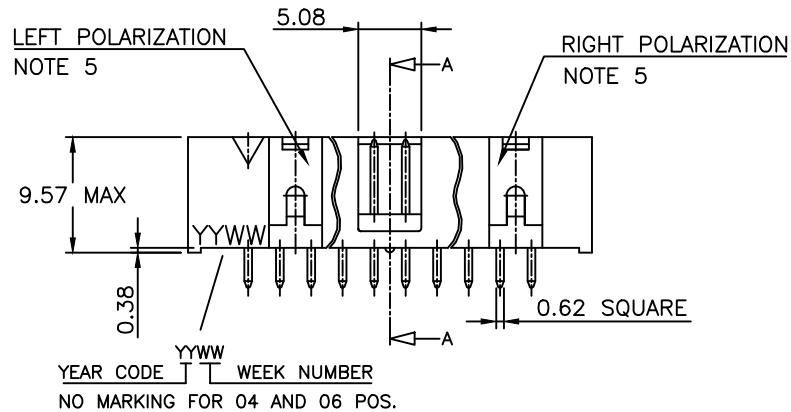
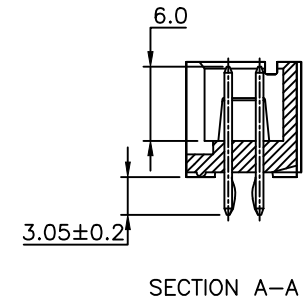
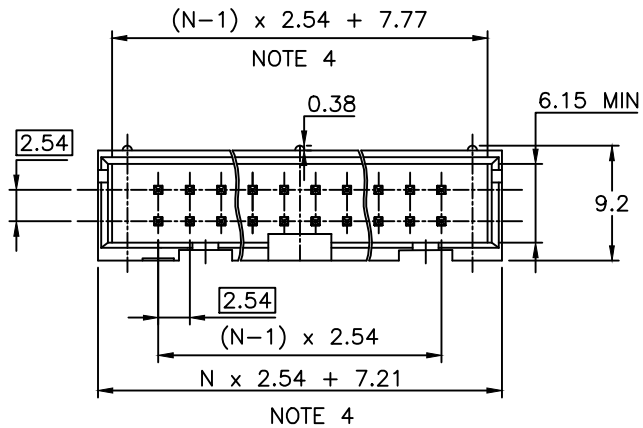
- THE HOUSING WILL WITHSTAND EXPOSURE TO  
260°C ±5°C SOLDER BATH TEMPERATURE FOR  
5 SECONDS IN A WAVE SOLDER APPLICATION  
WITH A 1.6mm MIN THICK CIRCUIT BOARD.

c - LABELLING:

- MEETS PACKAGING SPECS AS PER GS-14-920

d - LEGAL STATEMENT: SEE GS-47-0004

TOTAL NUMBER OF POSITIONS	
06	26
08	34
10	40
14	44
16	50
18	60
20	64



mat'l. code SEE NOTES		surface ISO 1302 ✓		tolerance ISO 406 ISO 1101		projection mm		product family QUICKIE	
ltr ecn no dr date		tolerances unless otherwise specified		.X ±0.3		mm		title SHR.LP.HEADER STR RETENTION LEGS	
K F07-0198 LMU 07.05.30		angles		.XX ±0.13		scale 2.5:1		dwg no sheet 1 of 1 size	
L F08-0146 YOV 08.04.11		Linear		.XXX ±0.05		FCJ		87610 A3	
M B-19071 LMU 14.10.15		dr		DLE 01.01.24				type CUSTOMER Drawing	
N B-19094 LMU 14.10.16		engr		JCO 04.12.20					
H F04-0389 JCO 04.12.22		chr		JCO 04.12.22					
J F06-0228 LMU 06.07.18		appd		JCO 04.12.22					
sheet index		revision sheet							