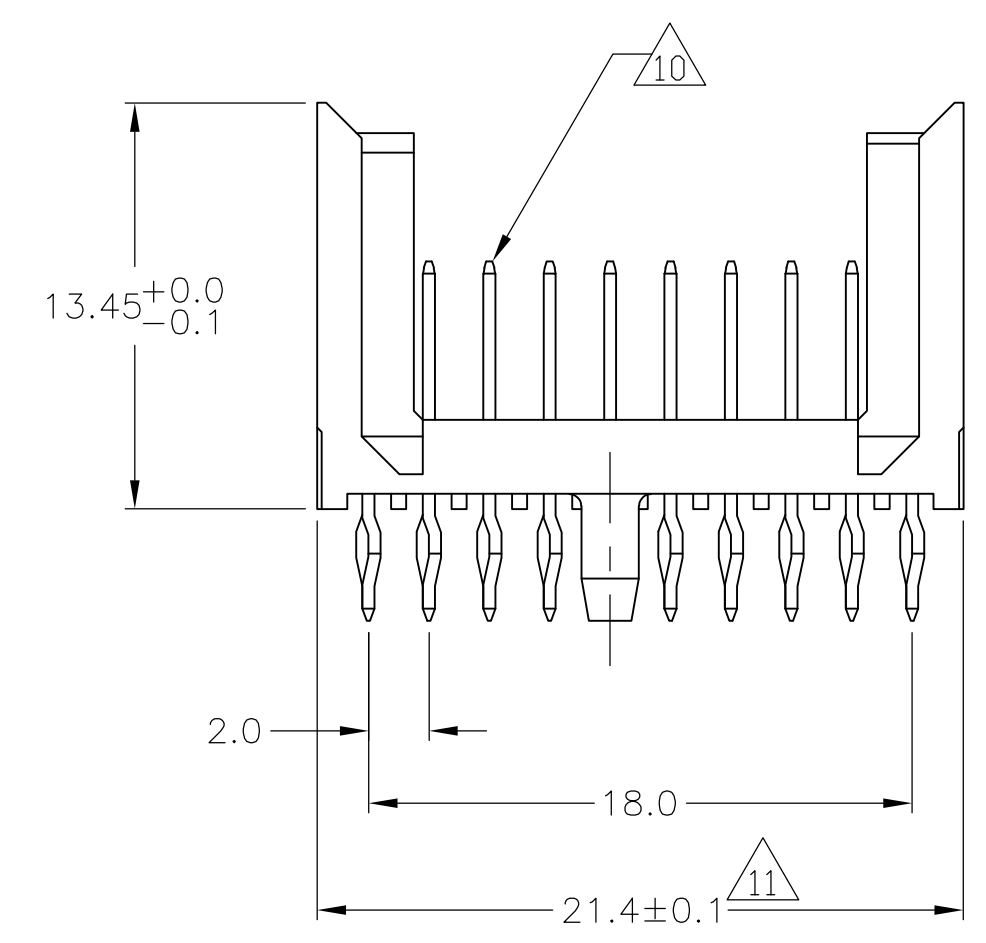
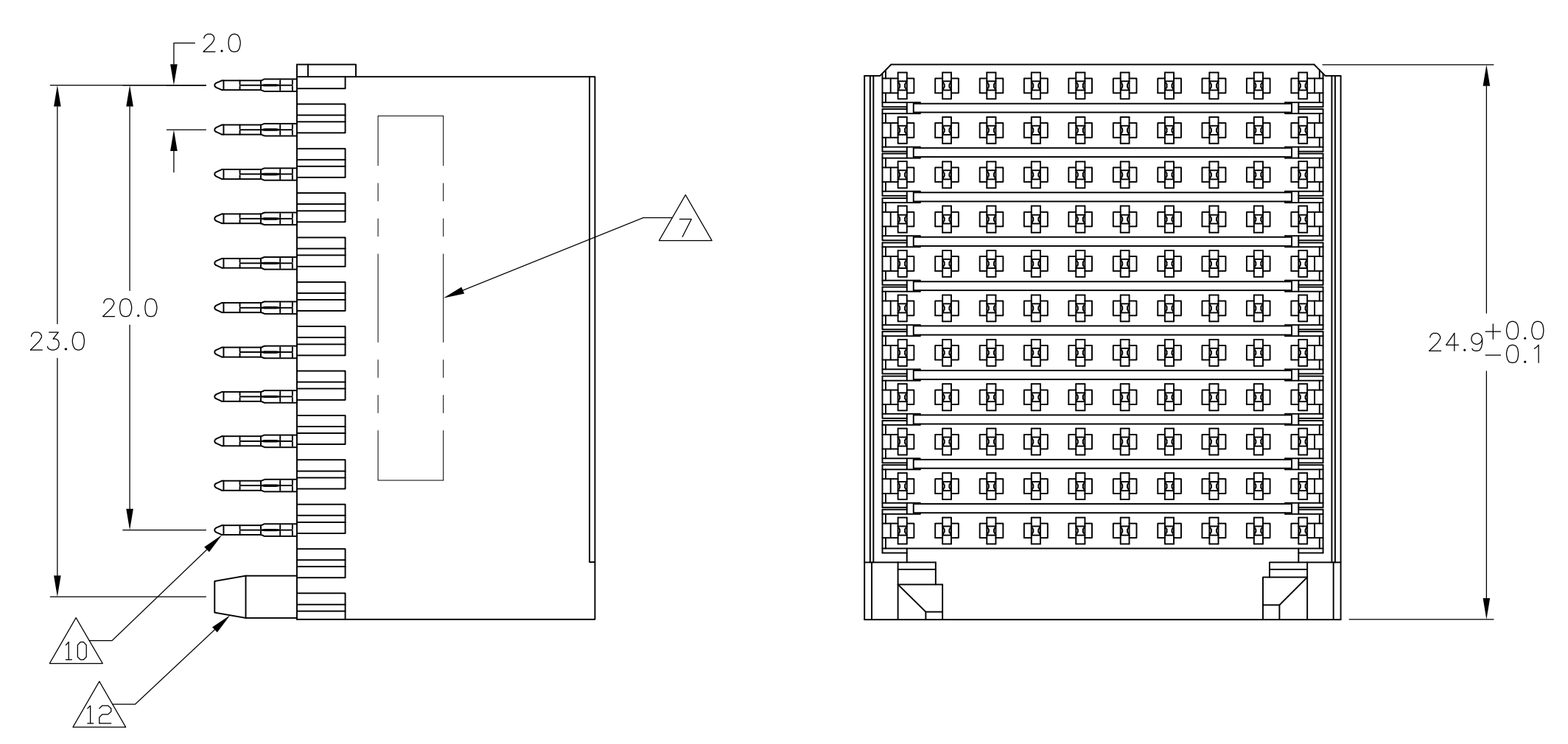


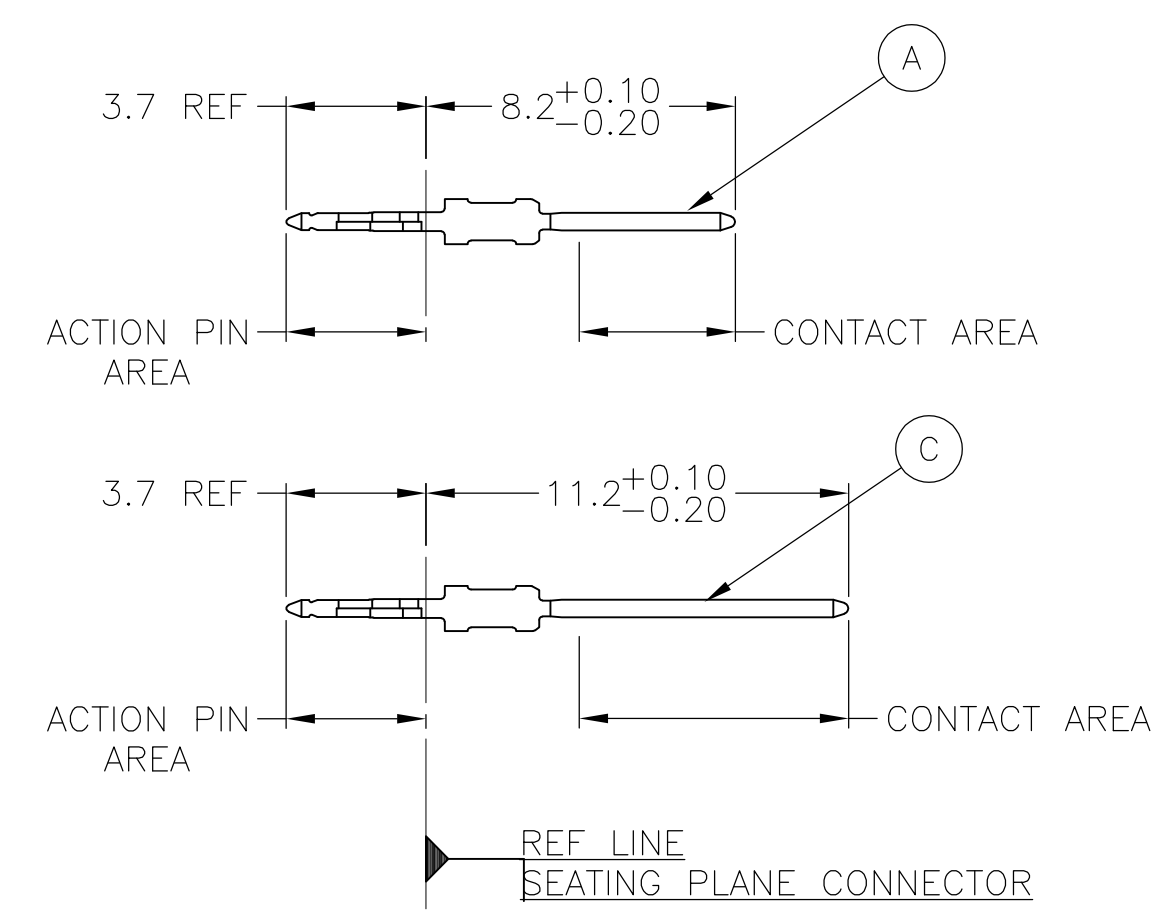
| LOC |    | DIST |                              | REVISIONS |     |      |  |
|-----|----|------|------------------------------|-----------|-----|------|--|
| AD  | 00 | REV  | DESCRIPTION                  | DATE      | DRN | APVD |  |
| A   |    |      | REVISED PER ECN 0512-0303-05 | 17APR05   | JDP | GES  |  |
| A1  |    |      | REVISED PER ECO-09-024606    | 02NOV09   | KK  | AEG  |  |
| B   |    |      | ECR-10-018652                | 10SEP10   | JS  | MQW  |  |

### CONNECTOR ASSEMBLY EXAMPLARY LOADED



### CONTACT DIMENSIONS

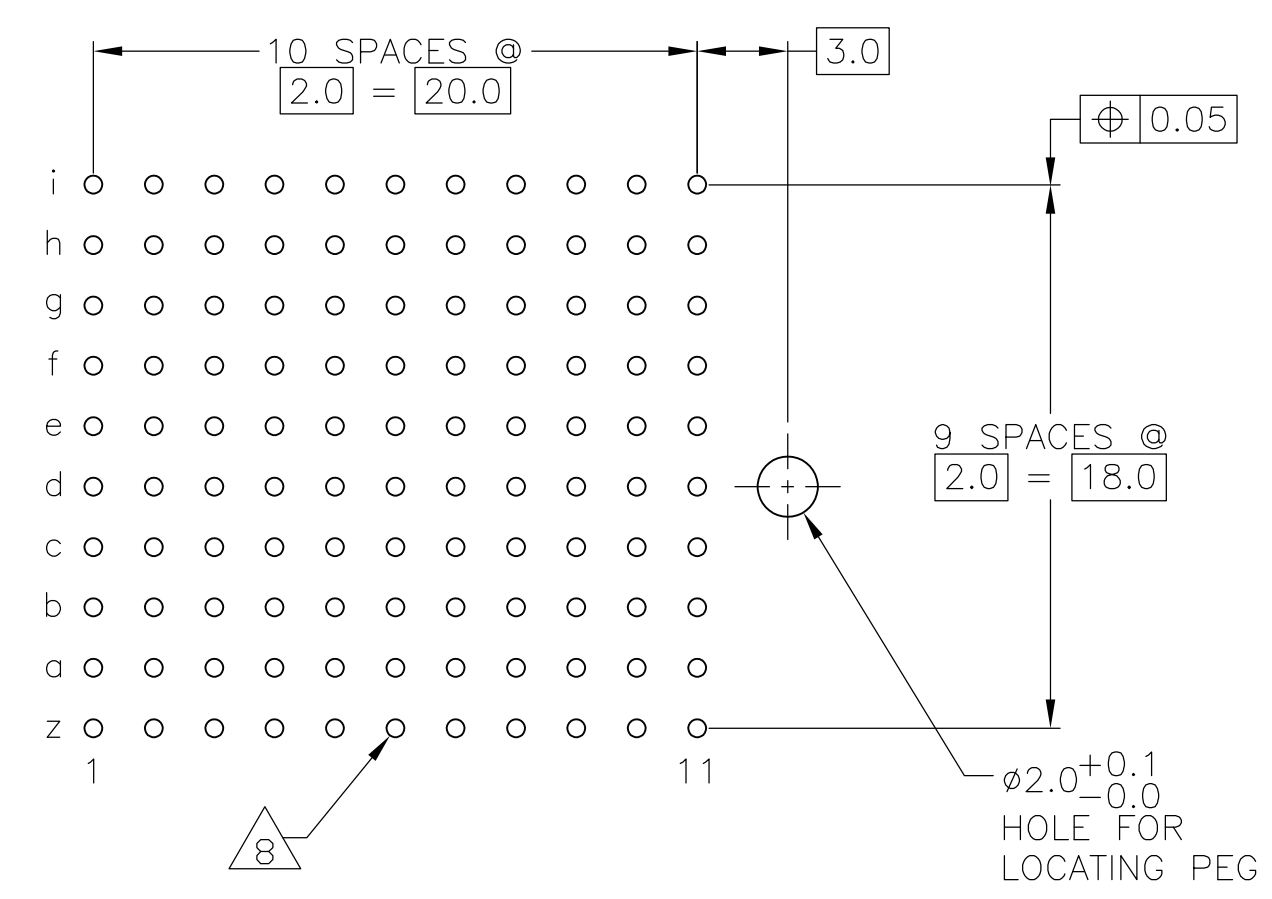
SCALE 5:1



### CONTACT LAYOUT

|         | z | a | b | c | d | e | f | g | h | i |
|---------|---|---|---|---|---|---|---|---|---|---|
| 1       | C | A | A | A | A | A | A | A | A | C |
| 2       | C | A | A | A | A | A | A | A | A | C |
| 3       | C | A | A | A | A | A | A | A | A | C |
| 4       | C | A | A | A | A | A | A | A | A | C |
| 5       | C | A | A | A | A | A | A | A | A | C |
| 6       | C | A | A | A | A | A | A | A | A | C |
| 7       | C | A | A | A | A | A | A | A | A | C |
| 8       | C | A | A | A | A | A | A | A | A | C |
| 9       | C | A | A | A | A | A | A | A | A | C |
| 10      | C | A | A | A | A | A | A | A | A | C |
| 11      | C | A | A | A | A | A | A | A | A | C |
| GUIDING |   |   |   |   |   |   |   |   |   |   |

### RECOMMENDED PCB-HOLE LAYOUT COMPONENT SIDE SHOWN



### PLATED THRU HOLES PARAMETERS

REFERENCE APPLICATION SPECIFICATION

|          |        |             |
|----------|--------|-------------|
| OBSOLETE | 2 6 13 | 1-5646513-9 |
|          | 2 5 13 | -5646513-9- |
|          | 2 4    | 5646513-4   |
|          | 2 3    | 5646513-1   |
| FINISH   |        | PART NUMBER |

THIS DRAWING IS A CONTROLLED DOCUMENT.

|                     |  |                         |                         |                          |  |
|---------------------|--|-------------------------|-------------------------|--------------------------|--|
| DIMENSIONS: mm      | TOLERANCES UNLESS OTHERWISE SPECIFIED: | DWN: S. WAITMAN 14JUL05 | CHK: G. SKIPPER 14JUL05 | APVD: G. SKIPPER 14JUL05 | NAME: Tyco Electronics Corporation Harrisburg, Pa 17105-3608 |
| 0-PLC ±             | 1-PLC ±0.2                             | 2-PLC ±0.052            | 3-PLC ±0.005            | 4-PLC ±0.30'             | PRODUCT SPEC: MALE ASSEMBLY, Z-PACK 2mm HM, TYPE F           |
| MATERIAL: SEE TABLE | FINISH: SEE TABLE                      | SIZE: A1                | CAGE CODE: 00779        | DRAWING NO: 108-19082    | RESTRICTED TO: -   |
| CUSTOMER DRAWING    |  | SCALE: 4:1              | SHEET: 1 OF 2           | REV: B                   |  |

| LOC | DIST | REVISIONS |             |    |      |
|-----|------|-----------|-------------|----|------|
| AD  | 00   | REV       | DATE        | BY | APPV |
| -   | -    | 1         | SEE SHEET 1 | -  | -    |

- 1 MATERIAL:  
CONTACT: PHOSPHOR BRONZE.  
HOUSING: GLASS-FILLED POLYESTER.
- 2 GENERAL PLATING SPECIFICATION: UNDERPLATING  
(ENTIRE CONTACT): 1.27µm MIN NICKEL AND ACTION  
PIN: 0.5µm MIN TIN.  
FOR PLATING OF MATING SURFACES SEE APPLICABLE  
SPECIFICATION REFERENCE FOR EACH DASH NUMBER.
- 3 CONFORMS TO ALL TESTING ACCORDING TO IEC 61076-4-101  
PERFORMANCE LEVEL 2.
- 4 CONFORMS TO ALL TESTING ACCORDING TO IEC 61076-4-101  
PERFORMANCE LEVEL 1.
- 5 CONNECTOR TESTED AND QUALIFIED AGAINST TELCORDIA GR-1217-CORE QUALITY LEVEL 3,  
CENTRAL OFFICE APPLICATIONS.
- 6 CONNECTOR TESTED AND QUALIFIED AGAINST TELCORDIA GR-1217-CORE QUALITY LEVEL 3,  
UNCONTROLLED ENVIROMENT APPLICATIONS.
- 7 CONNECTOR MARKED WITH PART NUMBER AND DATE CODE.  
ADDITIONAL CHARACTERS OR MARKINGS, AS WELL AS THE LOCATION OF THE MARKINGS,  
MAY BE ADDED FOR TRACEABILITY BASED UPON MANUFACTURERS DISCRETION.
- 8 PLATED-THROUGH HOLES AT 2x2mm SQUARE GRID  
PATTERN DEFINED BY CONTACT LAYOUT.
- 9 FOR ACTUAL PIN LOADING SEE "CONTACT LAYOUT".
- 10 FOR ACTUAL PIN DIMENSIONS SEE "CONTACT DIMENSIONS".
- 11 TO BE MEASURED AT BOTTOM OF SHROUD.
- 12 LOCATION PEG.
- 13 CONNECTOR LUBRICATED WITH BELCORE APPROVED LUBRICANT,  
TECHNICAL REFERENCE: TR-NWT-001217 ISSUE 1, SEP 1992.
- 14 OBSOLETE PARTS: OBSOLETE CIS STREAMLINING PER D.RENAUD/D.SINISI

|  |  |                              |   |                       |
|--|--|------------------------------|---|-----------------------|
| THIS DRAWING IS A CONTROLLED DOCUMENT.   |  | DIN<br>S. WAITMAN<br>14JUL05 | Tyco Electronics Corporation<br>Harrisburg, Pa 17105-3608 |                       |
| DIMENSIONS:<br>mm  |  | CIR<br>G. SKIPPER            | NAME<br>MALE ASSEMBLY, Z-PACK 2mm HM,<br>TYPE F           |                       |
| TOLERANCES UNLESS OTHERWISE SPECIFIED:<br>0-PLC ±<br>1-PLC ±0.2<br>2-PLC ±0.02<br>3-PLC ±0.005<br>4-PLC ±<br>ANGLES ±0.30° |  | APVD<br>G. SKIPPER           | PRODUCT SPEC<br>108-19082                                 |                       |
| MATERIAL<br>SEE SHEET 1  |  | FINISH<br>SEE SHEET 1        | APPLICATION SPEC<br>114-19029                             | RESTRICTED TO<br>-    |
| WEIGHT<br>-  |  | SIZE<br>A1                   | CAGE CODE<br>00779  | DRAWING NO<br>5646513 |
| CUSTOMER DRAWING   |  | SCALE<br>4:1                 | SHEET<br>2  | OF 2<br>REV<br>B      |