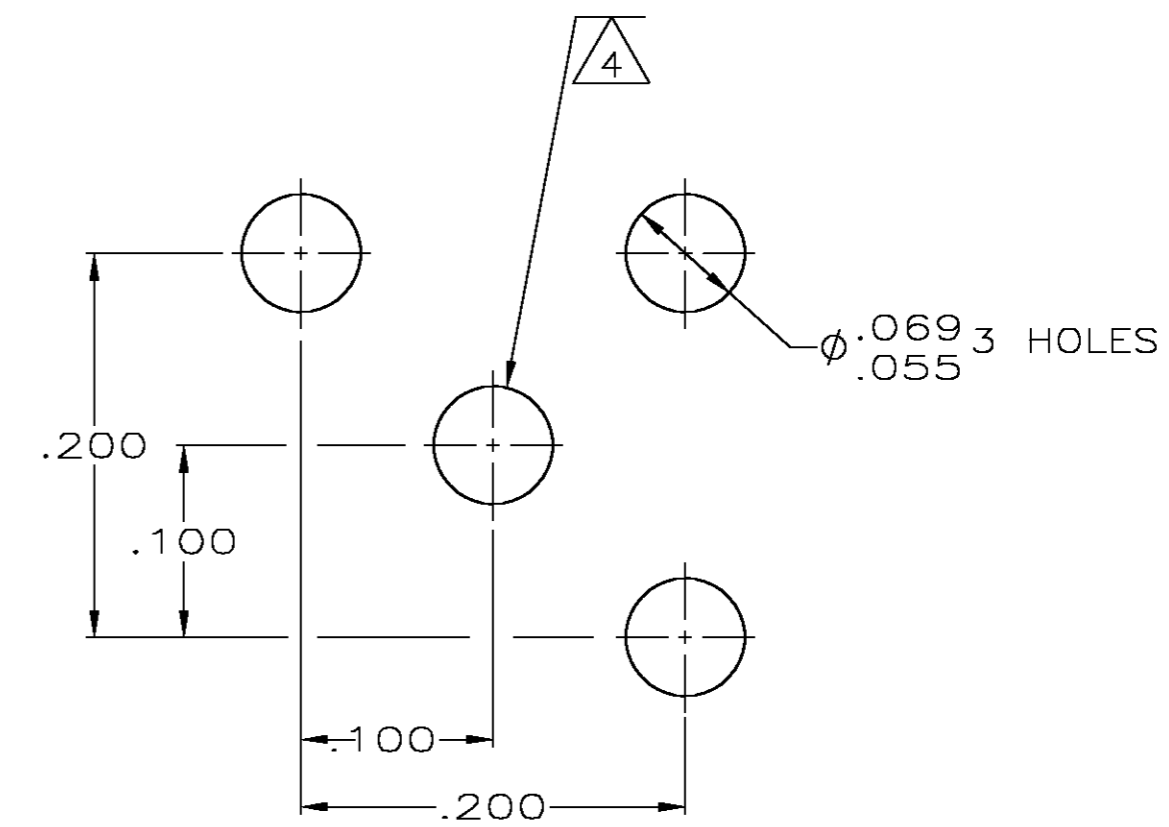
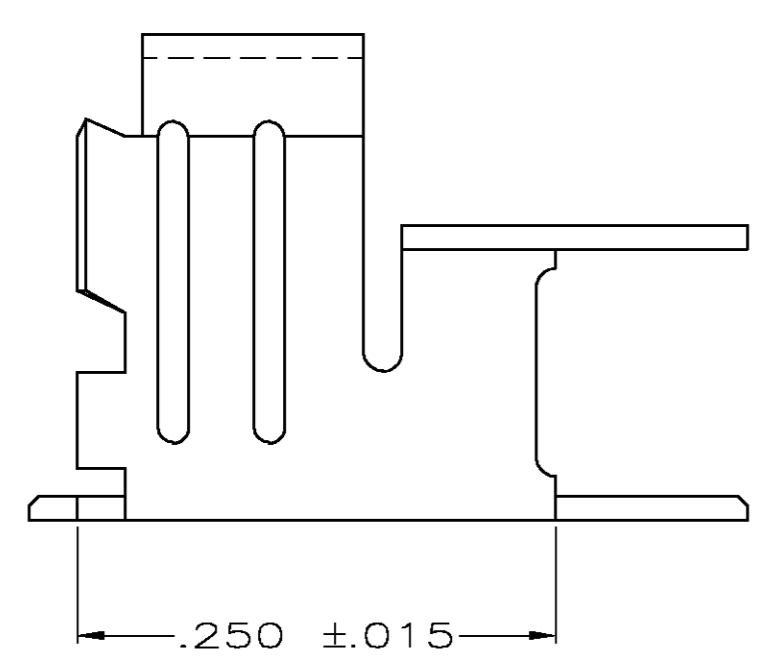
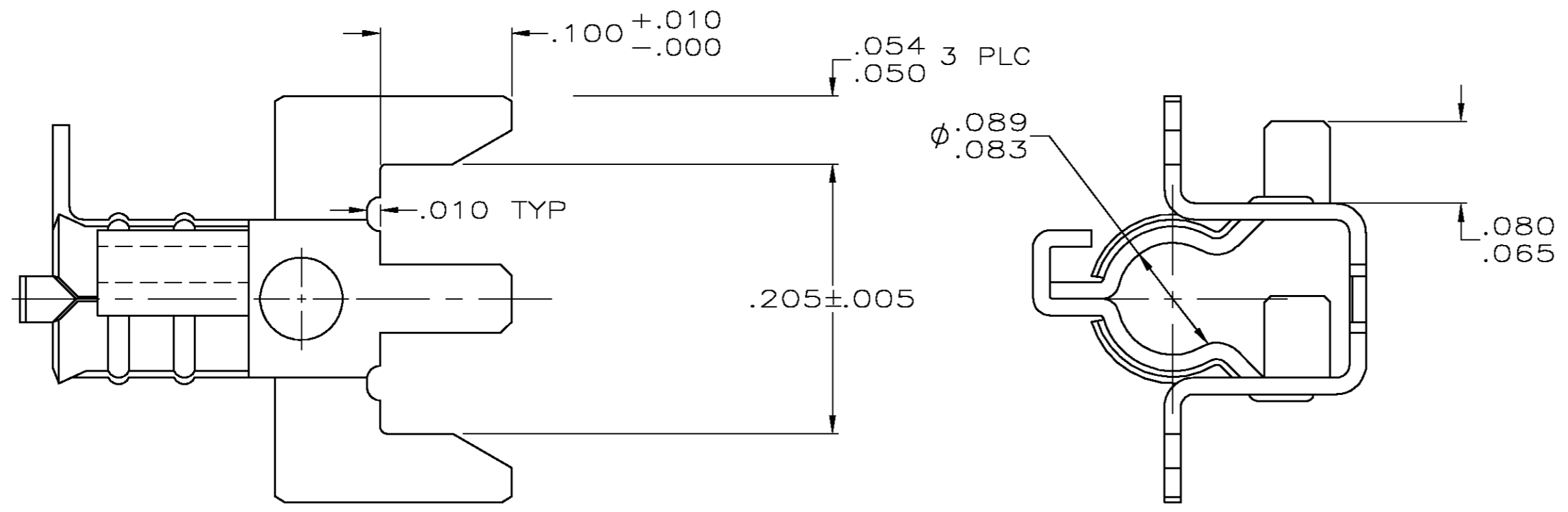


THIS DRAWING IS UNPUBLISHED. RELEASED FOR PUBLICATION
 © COPYRIGHT BY TYCO ELECTRONICS CORPORATION. ALL RIGHTS RESERVED.

LOC	DIST	REVISIONS			
P	LTR	DESCRIPTION	DATE	DWN	APVD
AJ	16				
		K	RDW & REV PER 0514-0114-04	05MAY04	JDP JL

1. MATES WITH 226286-2 OR -3, CRIMPED TO CABLE
2. 60/40 MATTE TIN-LEAD PL PER MIL-P-81728
3. NICKEL PL PER QQ-N-290
4. REFERENCE AMP MINIATURE SPRING SOCKET, 330808, FOR RECOMMENDED HOLE DIAMETERS
5. INSTRUCTION SHEET NO.: 408-2472-1
6. TIN PLATE PER ASTM B-545.



RECOMMENDED MOUNTING HOLE PATTERN

6	9-226287-0
2	226287-2
FINISH	PART NUMBER

THIS DRAWING IS A CONTROLLED DOCUMENT.		DWN	P. ALSEDEK	4-20-90	 Tyco Electronics Corporation Harrisburg, Pa 17105-3608			
DIMENSIONS: INCHES		CHK	M. SNEED	4-24-90				
TOLERANCES UNLESS OTHERWISE SPECIFIED:		APVD	M. SNEED	04-24-90	NAME RECEPTACLE, PCB, VERTICAL, BRAID PIC			
0 PLC ± -		PRODUCT SPEC						
1 PLC ± -		APPLICATION SPEC			SIZE	CAGE CODE	DRAWING NO	RESTRICTED TO
2 PLC ± -					A2	00779	C=226287	-
3 PLC ± .008					SCALE	10:1	SHEET	1 OF 1
4 PLC ± -								REV
ANGLES ± -								K
FINISH								
MATERIAL	BRASS, MIL-C-50,	WEIGHT	.006 oz		CUSTOMER DRAWING			

226287