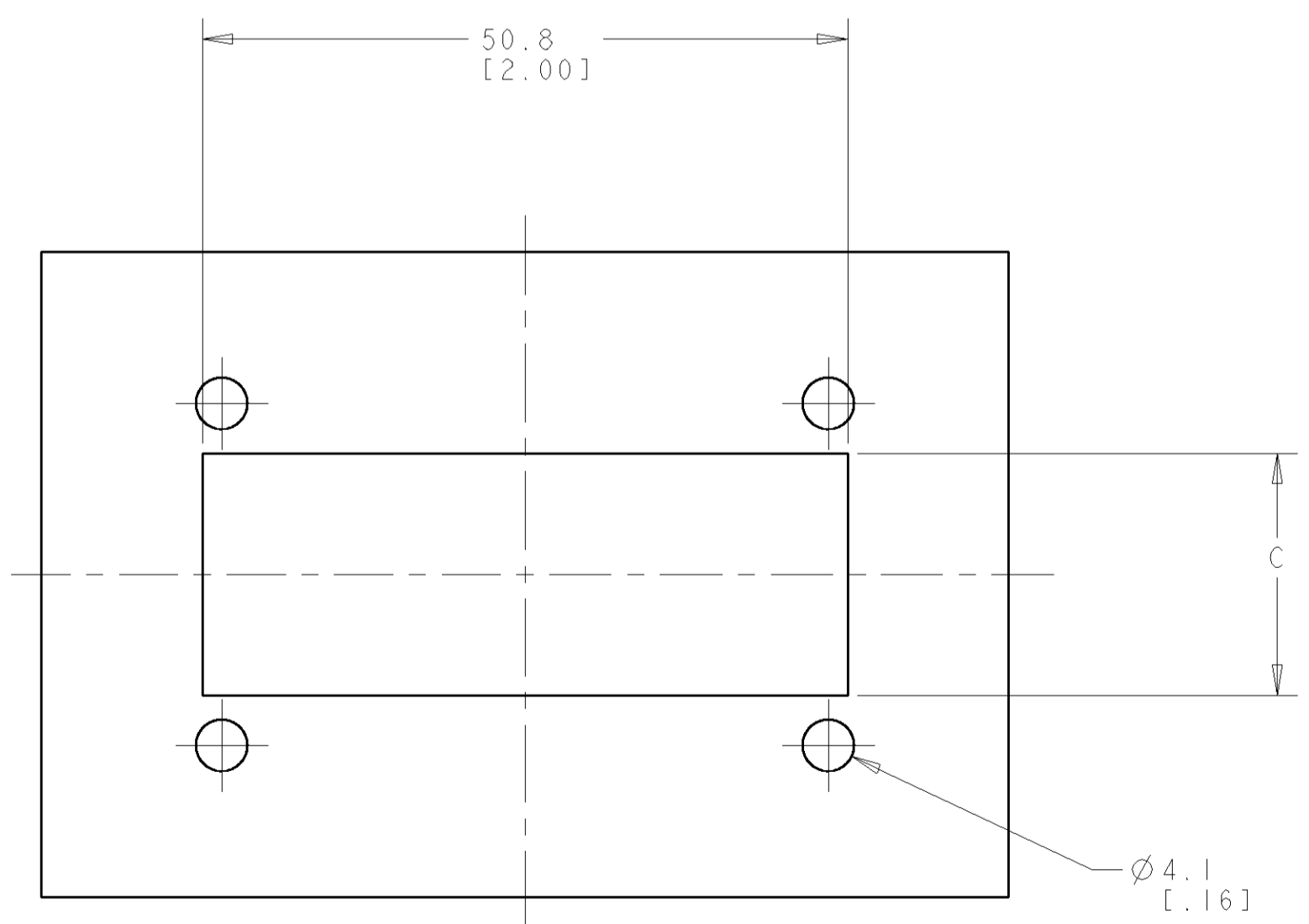
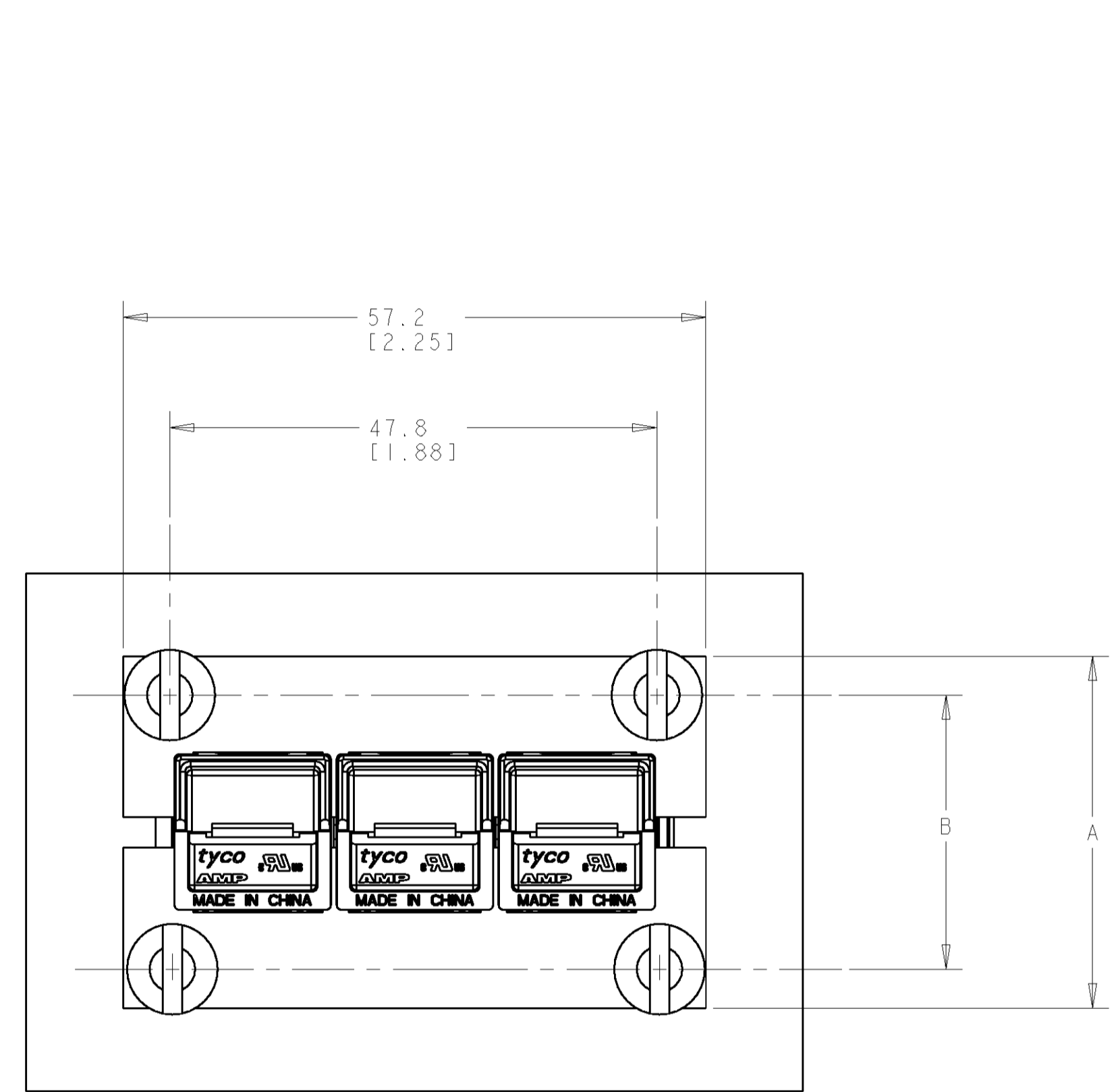
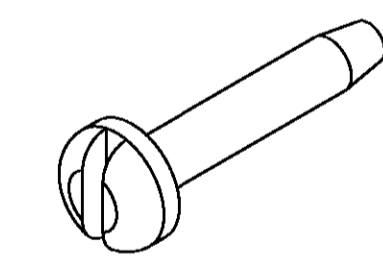
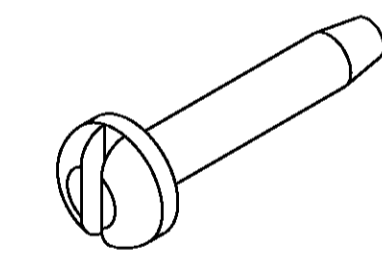
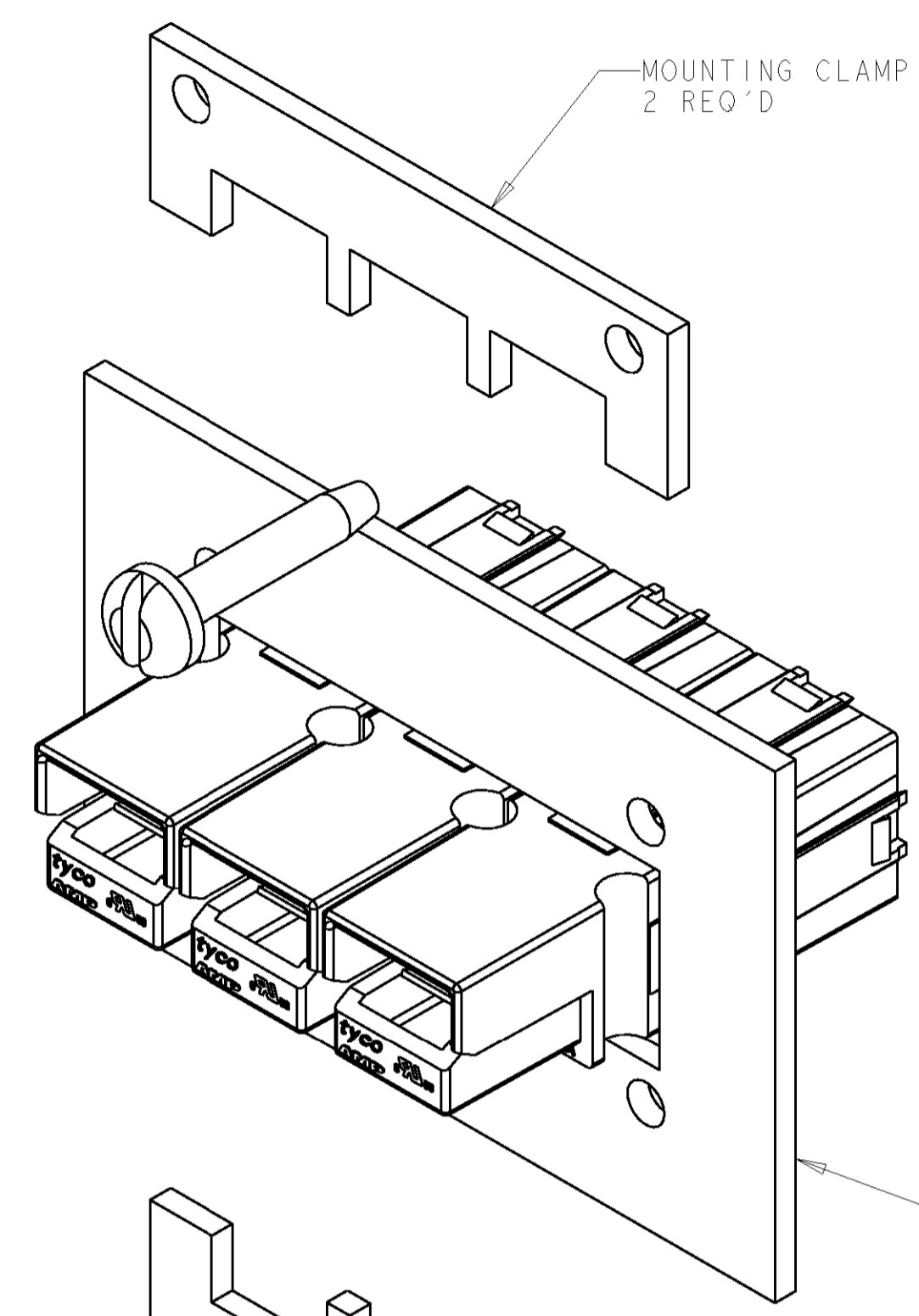
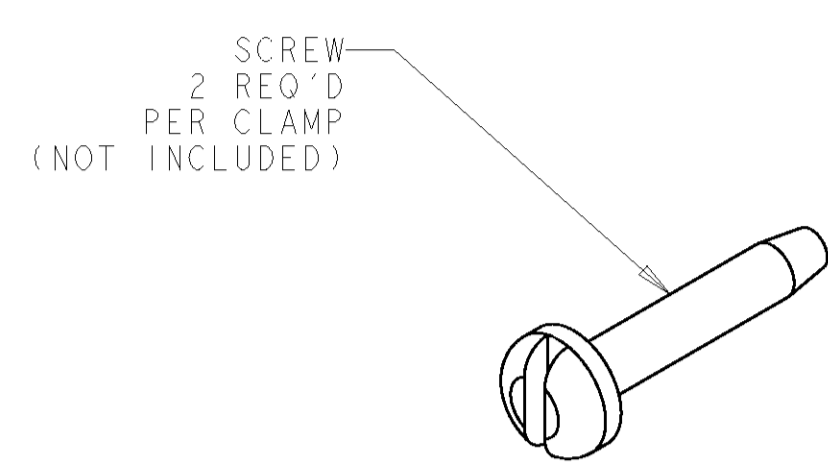


LOC		DIST		REVISIONS			
CM	00	P	LTR	DESCRIPTION	DATE	DWN	APVD
		1		PRE-RELEASED	13JAN2003	KW	JE
		0		REVISED PER 0638-0595-03	16JAN06	KW	JE

1. MOUNTING CLAMPS SOLD IN PAIRS, SCREWS NOT INCLUDED.



PANEL CUTOUT DIMENSIONS



35.1 [1.38]	42.7 [1.68]	50.3 [1.98]	6
19.0 [0.75]	26.9 [1.06]	34.5 [1.36]	3
C	B	A	NO OF POLES

1 BOX	647717-2
1 PAIR	647717-1
QTY / UNIT OF MEASUREMENT	PART NUMBER

<small>THE INFORMATION CONTAINED HEREIN IS UNCLASSIFIED EXCEPT WHERE SHOWN OTHERWISE. IT IS THE PROPERTY OF TYCO ELECTRONICS CORPORATION AND IS TO BE CONTAINED AND CONTROLLED BY THE USER'S ORGANIZATION UNLESS SO CONTRACTED FOR BY THE USER'S ORGANIZATION.</small>		DWN: B. WHITAKER CHK: J. ELLIS APVD: J. ELLIS	13JAN2003 13JAN2003 13JAN2003	tyco Electronics Tyco Electronics Harrisburg, PA 17105-3608
DIMENSIONS: mm [INCHES]	TOLERANCES UNLESS OTHERWISE SPECIFIED: 0 PLC ± 1 PLC ±0.5 [.02] 2 PLC ± 3 PLC ± 4 PLC ± ANGLES ± FINISH -	PRODUCT SPEC APPLICATION SPEC WEIGHT CUSTOMER DRAWING	NAME AMP POWER SERIES 75 MOUNTING CLAMP, 3 AND 6 POLE	SIZE: A1 CAGE CODE: 00779 DRAWING NO: 647717 RESTRICTED TO: - SCALE: 2:1 SHEET: 1 OF 1 REV: 0

