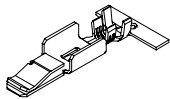
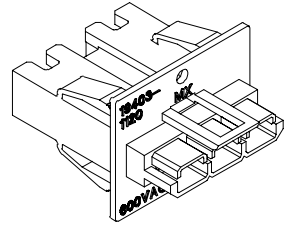
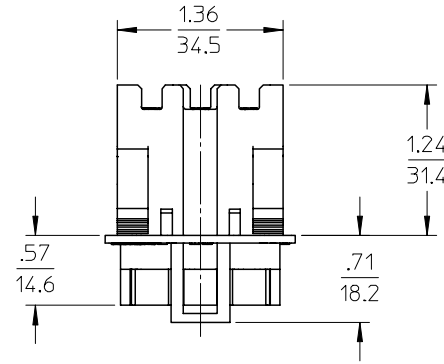
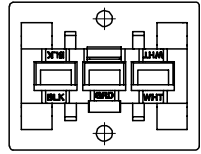
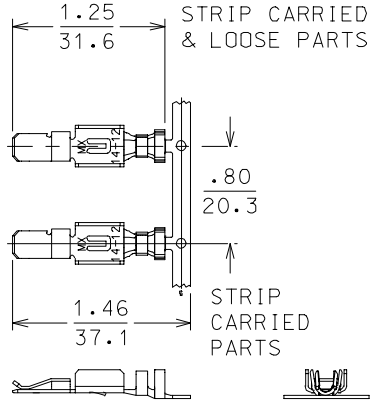


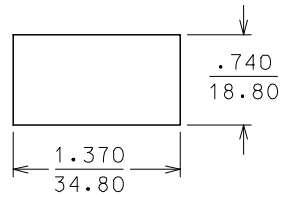
MATERIAL NUMBER	DESCRIPTION
194031120	SC HEADER
194031130	TERMINAL, STRIP CARRIED
194031131	TERMINAL, LOOSE PIECE



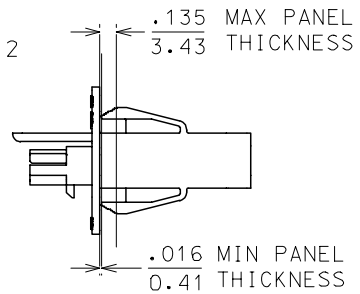
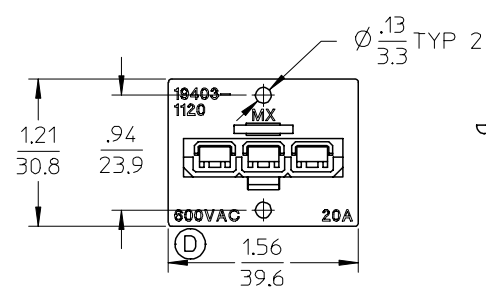
ISOMETRIC VIEW  
TERMINAL, STRIP CARRIED



ISOMETRIC VIEW  
SC HEADER



RECOMMENDED PANEL CUTOUT



SALES DRAWING

NOTES:  
1) TERMINAL MATERIAL: HIGH COPPER ALLOY  
PLATING: TIN  
2) HOUSING MATERIAL: POLYESTER UL94-5VA

600VAC WAS 300VAC EC NO: ETC2005-0125 DRW: DMYRICK 2005/01/25 CHK: RDEROSS 2005/01/26 APPR: RDEROSS 2005/01/26	DESCRIPTION REV: D	QUALITY SYMBOLS ▽=0 ▽=0	GENERAL TOLERANCES (UNLESS SPECIFIED)		DIMENSION STYLE IN/MM		SCALE 1:1	DESIGN UNITS INCH	THIRD ANGLE PROJECTION
		4 PLACES ± --- ± ---	mm INCH	DRAWN BY DATE DYOUNG 00/01/18	TITLE CUSTOMER DRAWING SC PANEL MOUNT CONNECT 14-12 AWG				
		3 PLACES ± --- ± .005		CHECKED BY DATE RDEROSS 00/01/18	MOLEX INCORPORATED				
		2 PLACES ± 0.13 ± .01		APPROVED BY DATE RDEROSS 00/01/18	MATERIAL NO. SEE CHART	DOCUMENT NO. SD-19403-117	SHEET NO. 1 OF 1		
		1 PLACE ± 0.3 ± ---	ANGULAR ± 1/2°	DRAFT WHERE APPLICABLE MUST REMAIN WITHIN DIMENSIONS		THIS DRAWING CONTAINS INFORMATION THAT IS PROPRIETARY TO MOLEX INCORPORATED AND SHOULD NOT BE USED WITHOUT WRITTEN PERMISSION			