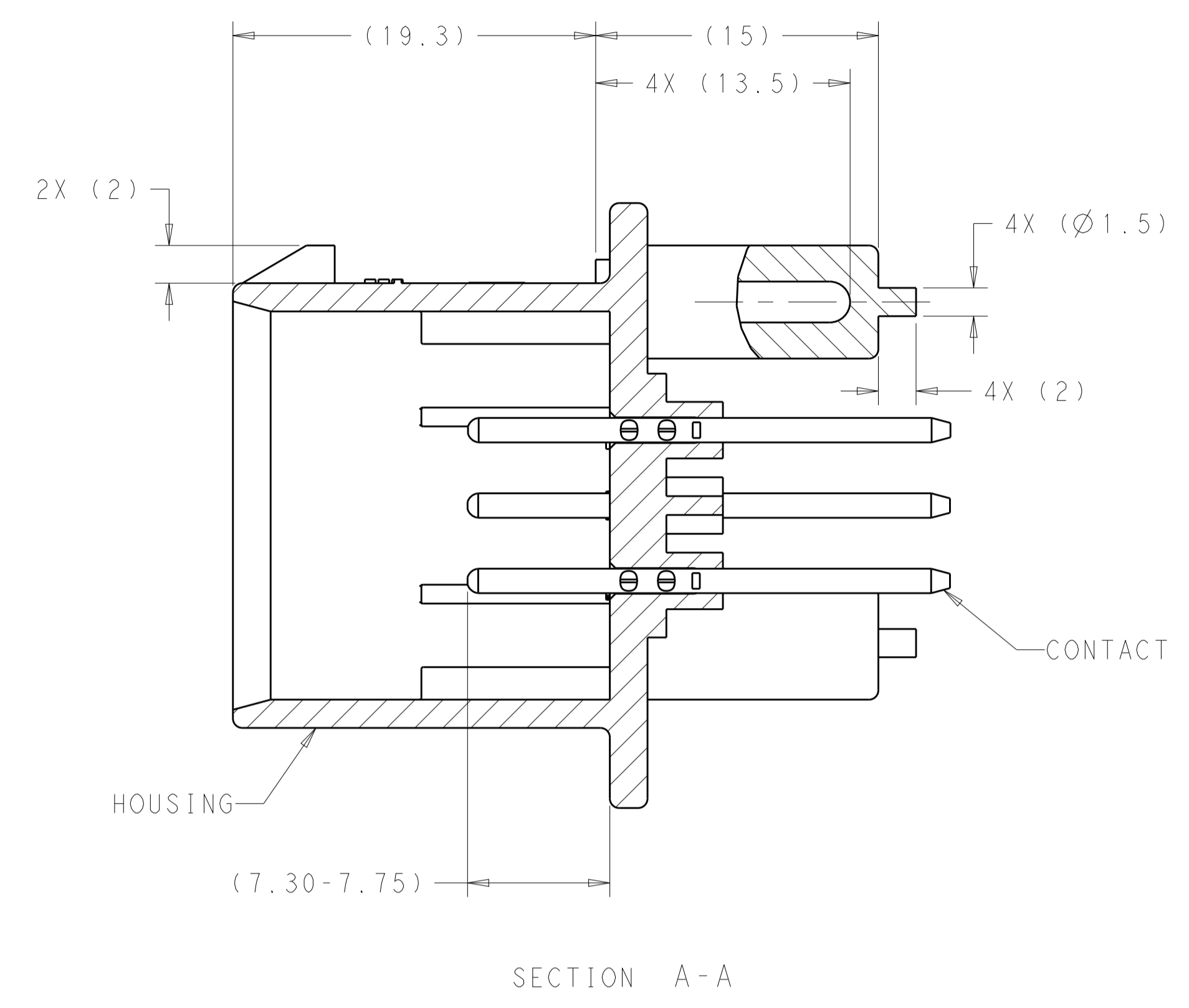
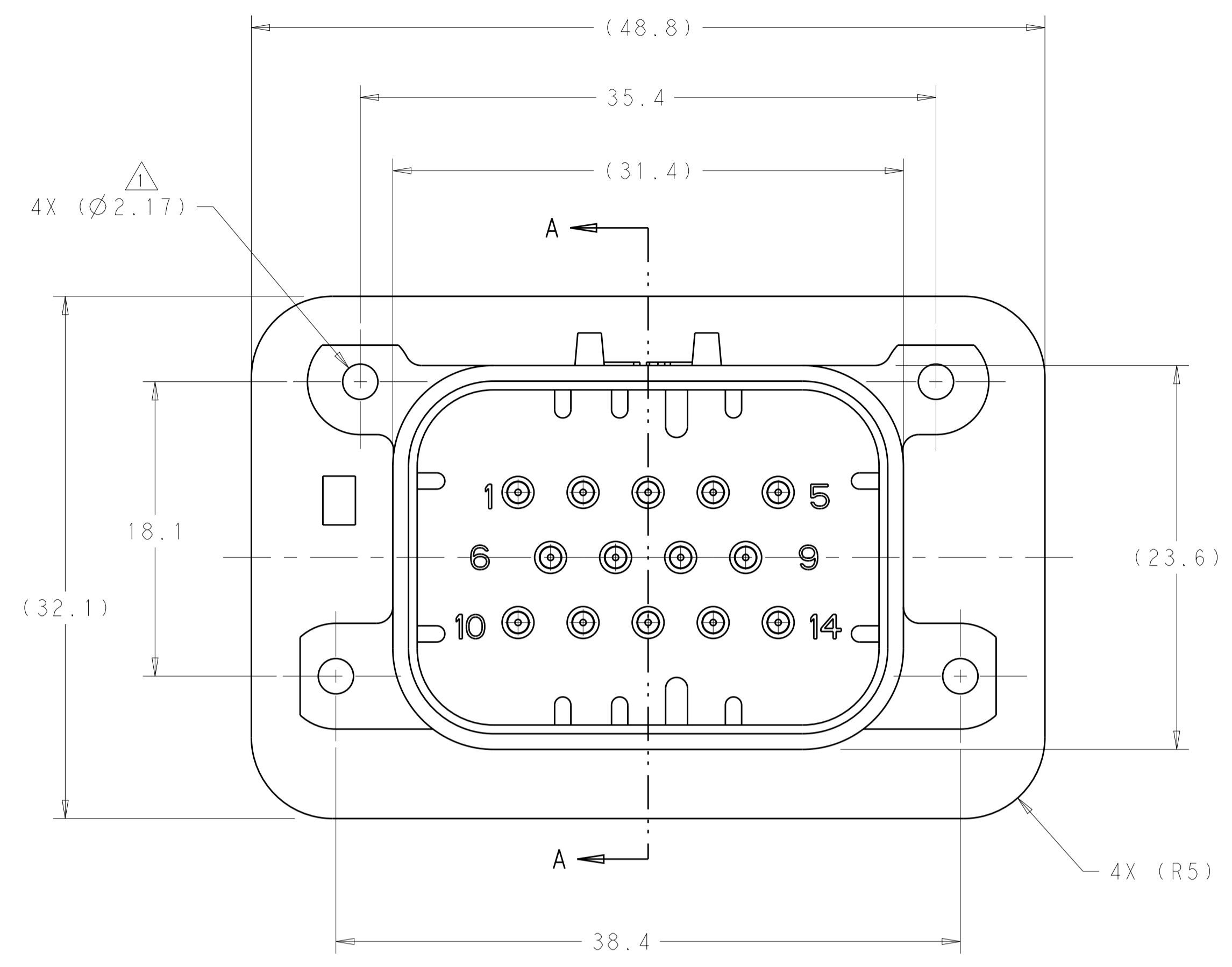
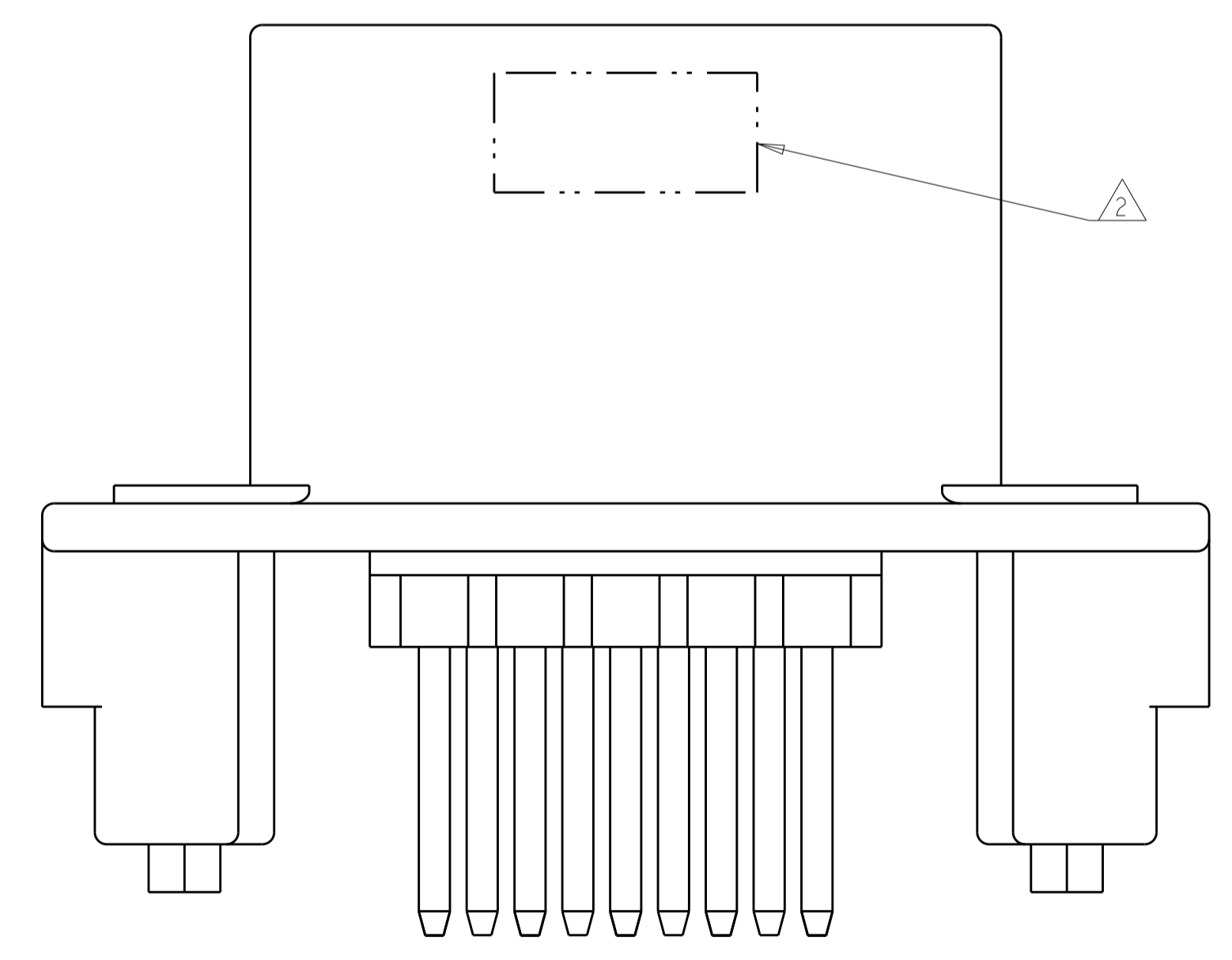


REVISIONS				
P.	LTN	DESCRIPTION	DATE	APVD
A11		REVISED PER ECO-21-001365	26JAN2021	DS DS



- 1. SUGGESTED MOUNTING SCREW SIZE IS Ø2.50-3.00mm [Ø0.099 - 0.118 INCH] SELF TAPPING THREAD FORMING SCREW, SUCH AS DELTA PT, TO BE DRIVEN AT 0.6-0.8 N-m. THE CUSTOMER SHOULD TEST THE SCREW SIZE AND TYPE IN ORDER TO VERIFY THEIR SELECTION FOR THEIR APPLICATION.
- 2. DATE CODE IN THIS LOCATION USING 5 DIGIT CODE. FIRST 2 DIGITS = YEAR, SECOND 2 DIGITS = WEEK, LAST DIGIT = DAY.
- 3. MATERIALS: HEADER HOUSING - GLASS FILLED PBT; PINS - TIN OR GOLD PLATED BRASS.
- 4. HOUSING COLORS ARE MECHANICALLY KEYPED TO MATE ONLY WITH IDENTICALLY COLORED PLUG ASSEMBLIES.
- 5. HEADER MATES TO PLUG ASSEMBLY 776273 WHICH USES REELED TERMINAL 770520 OR LOOSE PIECE TERMINAL 770854.



776261-1 & 1-776261-1 SHOWN

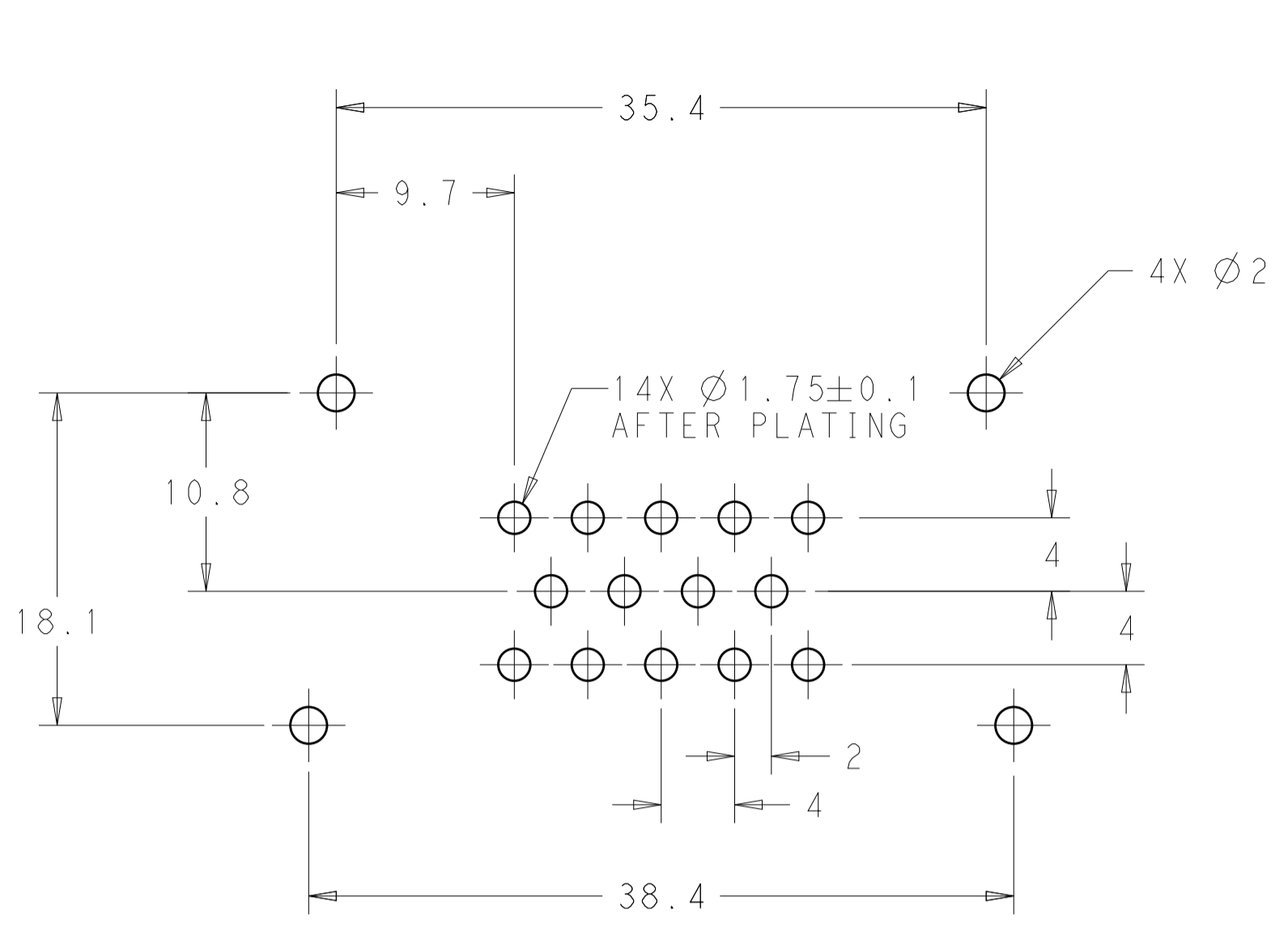
HEADER COLOR	PLATING	PART NUMBER
BLUE	GOLD	1-776261-5
GRAY	GOLD	1-776261-4
NATURAL	GOLD	1-776261-2
BLACK	GOLD	1-776261-1
BLUE	TIN	776261-5
GRAY	TIN	776261-4
NATURAL	TIN	776261-2
BLACK	TIN	776261-1

THIS DRAWING IS A CONTROLLED DOCUMENT.

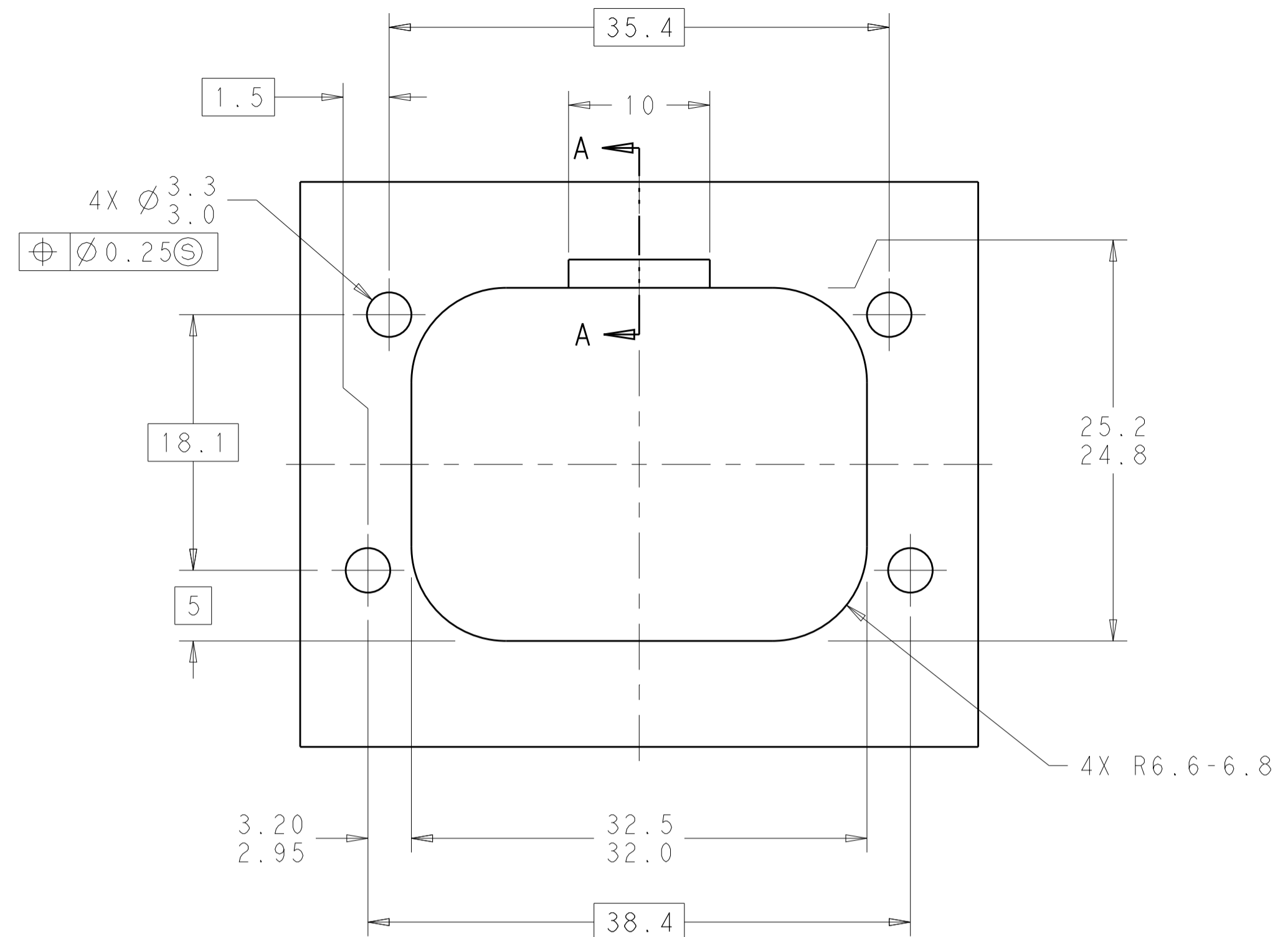
DIMENSIONS:	TOLERANCES UNLESS OTHERWISE SPECIFIED:	DATE: 04 FEB 2020	NAME: D. STRAUSSER
mm	0 PLC ±0.2	CHK: D. STRAUSSER	DATE: 22 MAR 2020
	1 PLC ±0.2	APVD: D. STRAUSSER	DATE: 27 APR 2020
	2 PLC ±0.2	PRODUCT SPEC:	108-1329
	3 PLC ±0.2	APPLICATION SPEC:	114-16016
	4 PLC ±0.2	WEIGHT:	16.90g
	ANGLES ±0.2	CUSTOMER DRAWING	SCALE: 4:1 SHEET 1 OF 2 REV: A11

STE TE Connectivity
 HEADER ASSEMBLY, 14 POSITION, VERTICAL, AMPSEAL

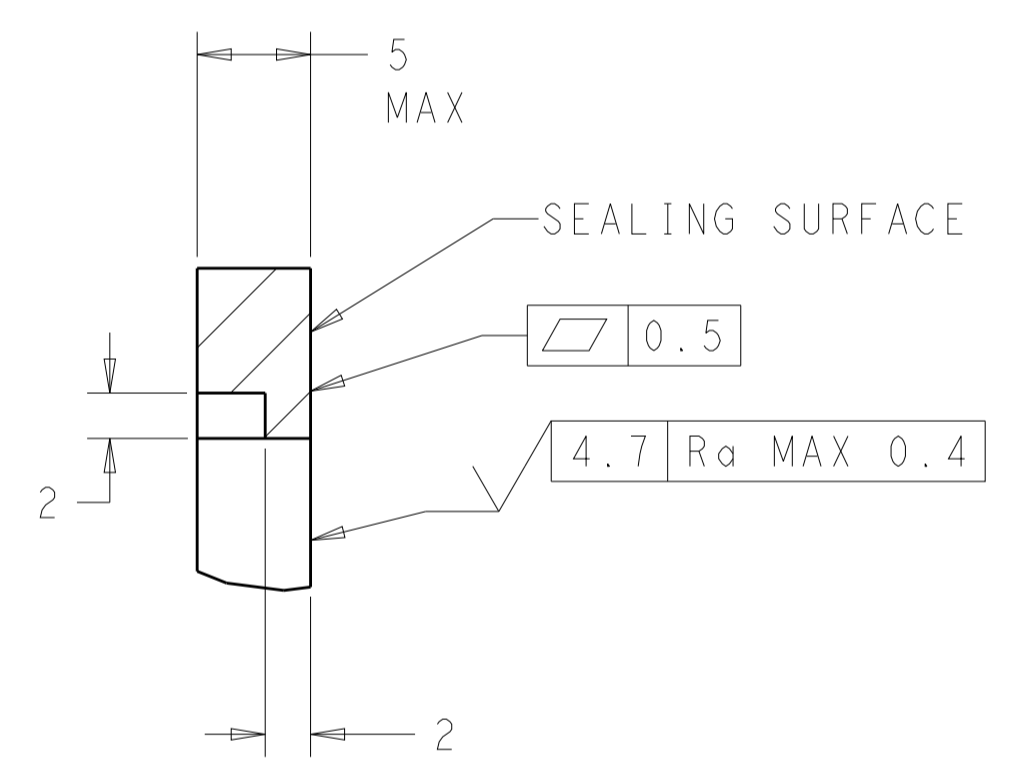
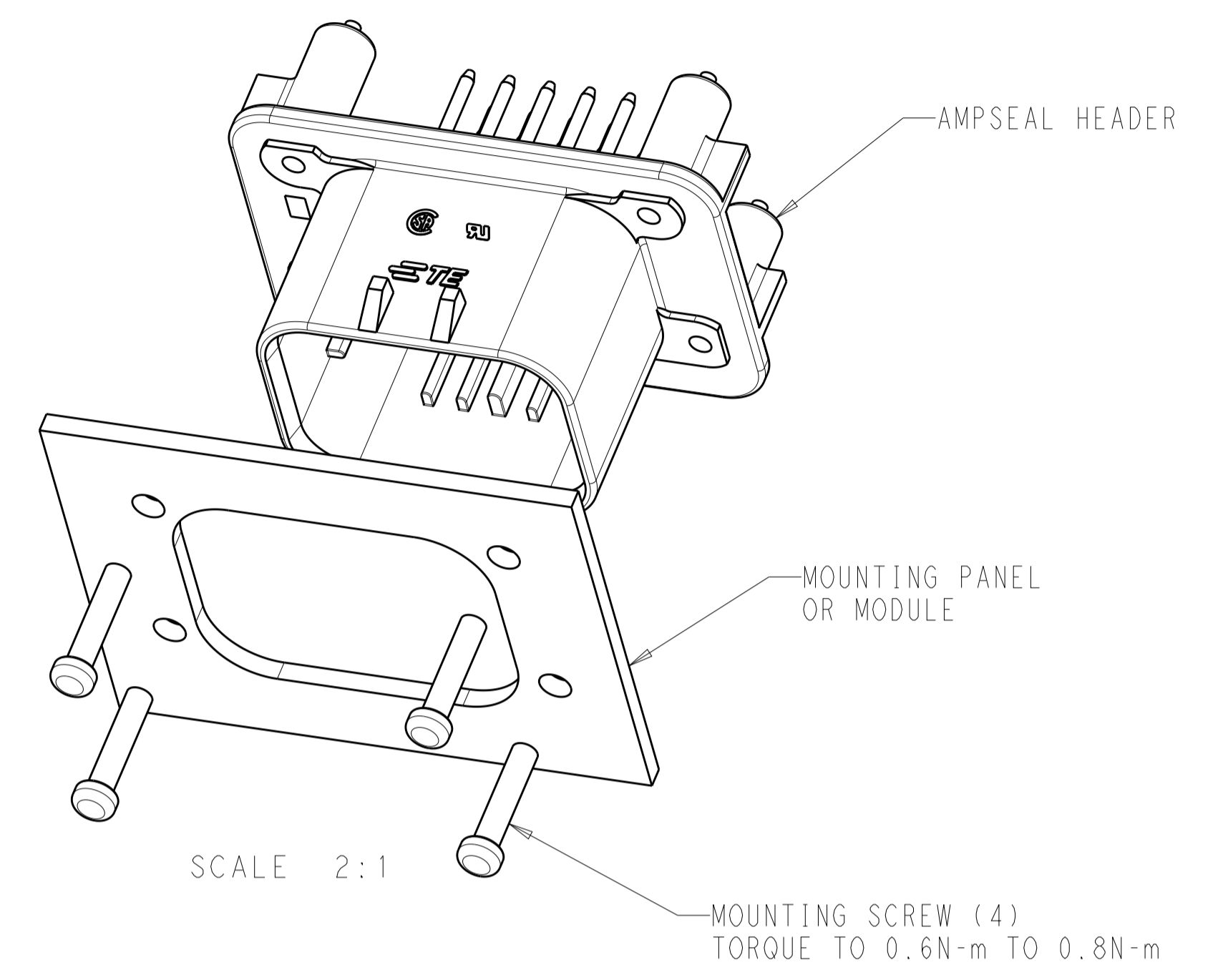
REVISIONS				
P.	LTN.	DESCRIPTION	DATE	APVD.
-	-	SEE SHEET 1	-	-



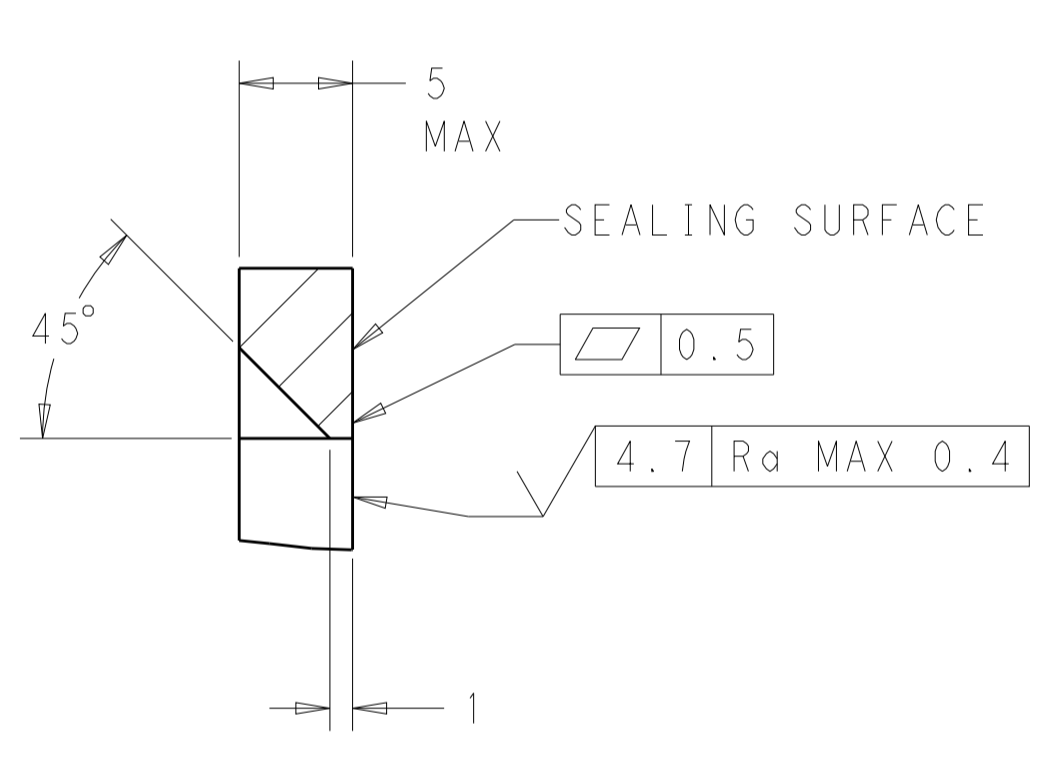
RECOMMENDED P.C. BOARD LAYOUT FOR 1.57 THICK P.C. BOARD



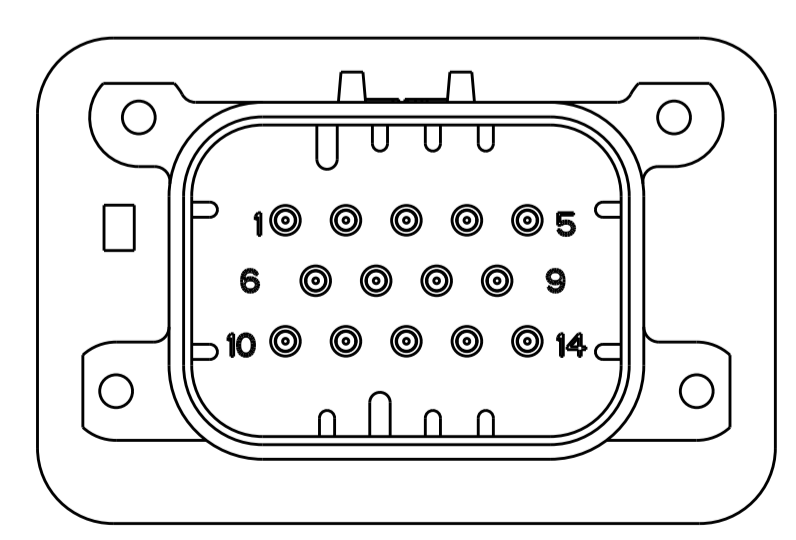
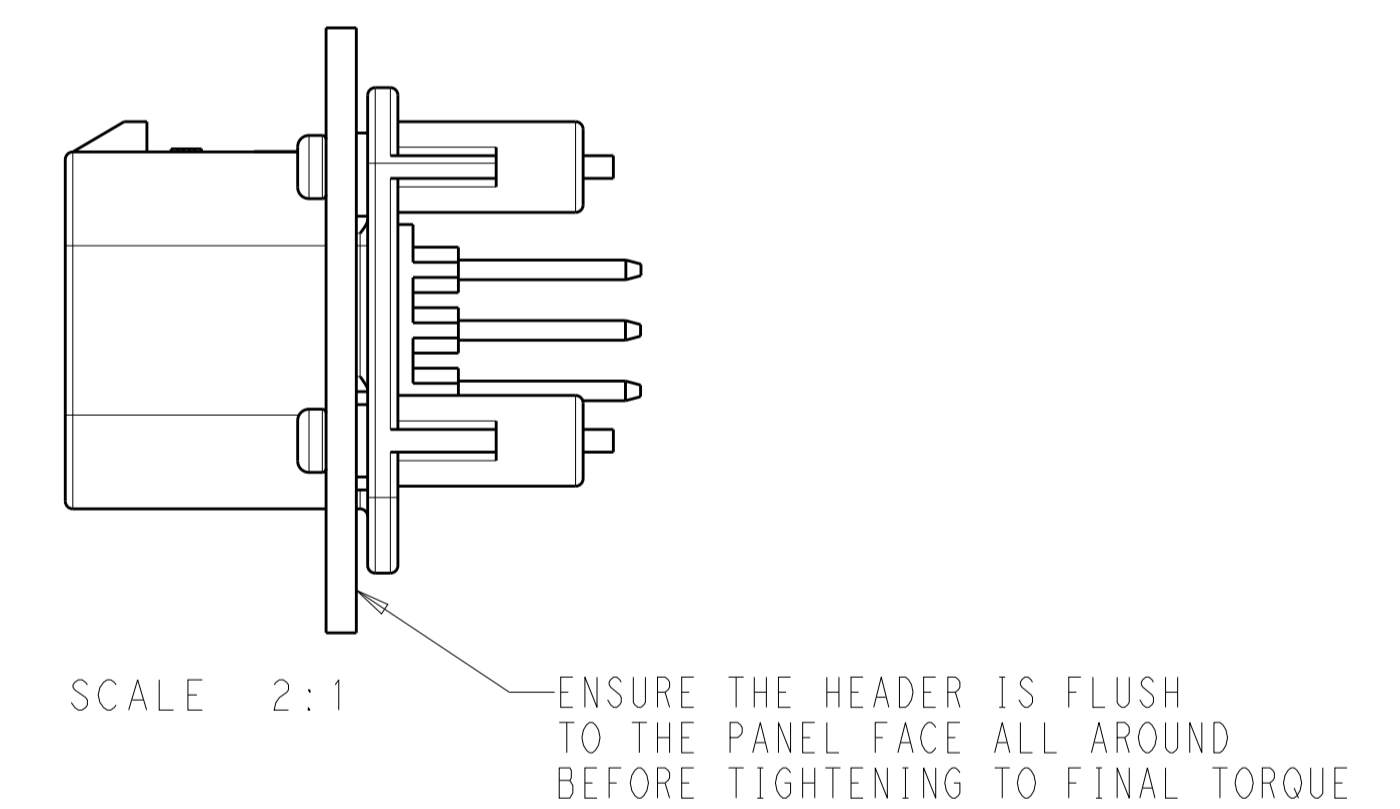
RECOMMENDED MOUNTING HOLE LAYOUT FOR 5.0 MAX THICK PANEL



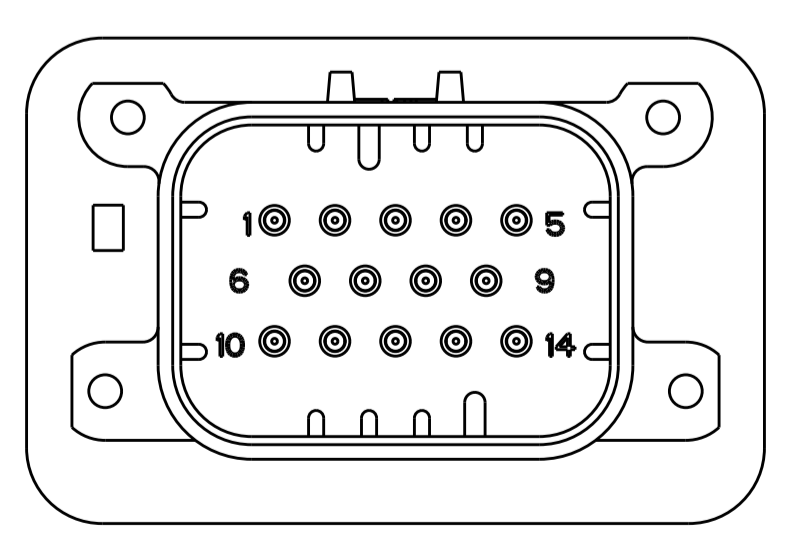
SECTION A-A
OPTIONAL CONSTRUCTION IF PANEL THICKNESS IS GREATER THAN 2.0



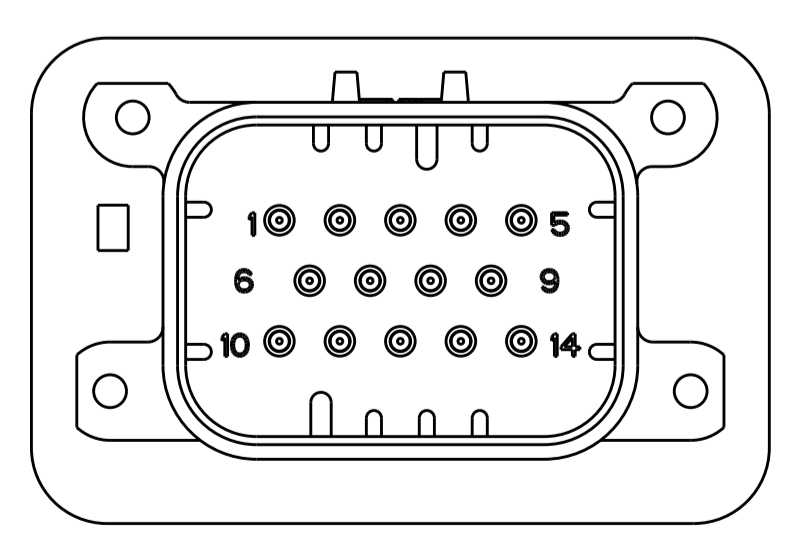
SECTION A-A
OPTIONAL CONSTRUCTION IF PANEL THICKNESS IS GREATER THAN 2.0



776261-2 & 1-776261-2
KEY LOCATION
SCALE 2:1



776261-4 & 1-776261-4
KEY LOCATION
SCALE 2:1



776261-5 & 1-776261-5
KEY LOCATION
SCALE 2:1

THIS DRAWING IS A CONTROLLED DOCUMENT.		DWN: D. STRAUSSER 04FEB2010 CHK: D. STRAUSSER 22MAR2010 APVD: D. STRAUSSER 27APR2010	TE Connectivity	
DIMENSIONS: mm 		TOLERANCES UNLESS OTHERWISE SPECIFIED: 0 PLC ± 1 PLC ±0.2 2 PLC ± 3 PLC ± 4 PLC ± ANGLES ±		NAME: HEADER ASSEMBLY, 14 POSITION, VERTICAL, AMPSEAL PRODUCT SPEC: 108-1329 APPLICATION SPEC: 114-16016 WEIGHT: 16.90g CUSTOMER DRAWING
MATERIAL: -		SIZE: A100779 CAGE CODE: - DRAWING NO: 776261 SCALE: 4:1 SHEET: 2 OF 2 REV: A11		