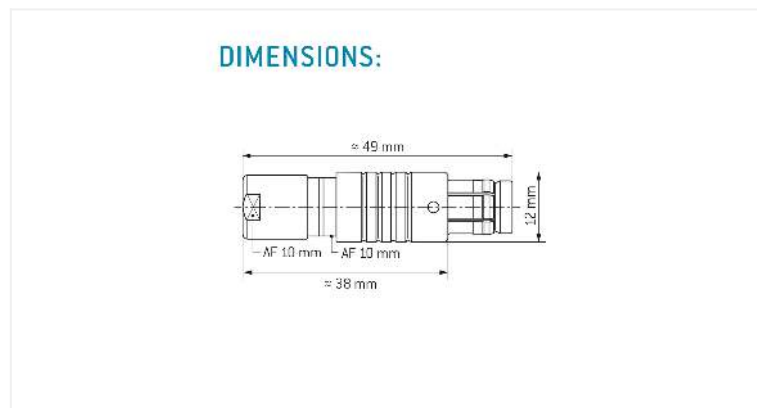


### General information

|                   |                     |
|-------------------|---------------------|
| Part number       | S31F1C-P02LPH0-3500 |
| Termination       | solder              |
| Size              | 1                   |
| Locking principle | push                |
| Coding            | 1_halfshell         |
| Cable Diameter    | cable_mini_35       |
| Cable outlet      | standard            |



### Contact insert description

|                      |         |
|----------------------|---------|
| Number of contacts   | 2       |
| Contact type         | sockets |
| Contact diameter     | 13mm    |
| Insulator material   | peek    |
| Wire cross section   | 20_awg  |
| Termination          | solder  |
| Termination diameter | 11mm    |

reverse\_gender\_on\_request

### Technical information

|  |           |               |
|--|-----------|---------------|
| Max. creepage and air clearance distance | 13_mm     | 09_mm         |
| Nominal current single contact           | 12_a      | iec_60512_5_2 |
| Nominal current insert                   | 12 A      | vde_0298_4    |
| Test voltage                             | 165_kv_ac | sae_13441     |

safety\_text

## Mechanical and environmental data

|                       |      |
|-----------------------|------|
| Degree of protection* | ip68 |
|-----------------------|------|

|                       |          |
|-----------------------|----------|
| Operating temperature | 40_120_c |
|-----------------------|----------|

|               |      |
|---------------|------|
| Mating cycles | 5000 |
|---------------|------|

mated

## Material and surface treatments

|         |          |
|---------|----------|
| Housing | m_chrome |
|---------|----------|

|         |               |
|---------|---------------|
| Contact | cu_alloy_gold |
|---------|---------------|

safety\_text\_2

ul\_text

illustrative\_text