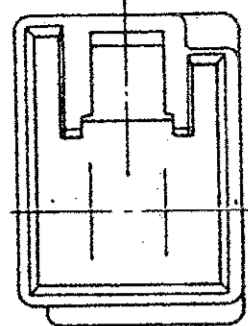


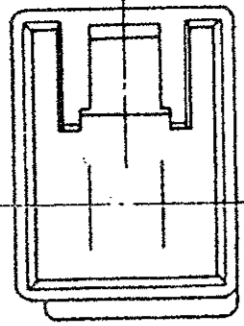
DWG. NO 281866

Tabella Posiz. Polarizzazione/Part Number..Viste Frontali da G.

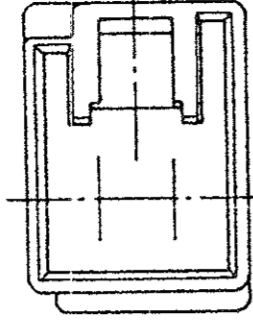
(Polarization configuration table / Part Number - View from G.)



281866 -1



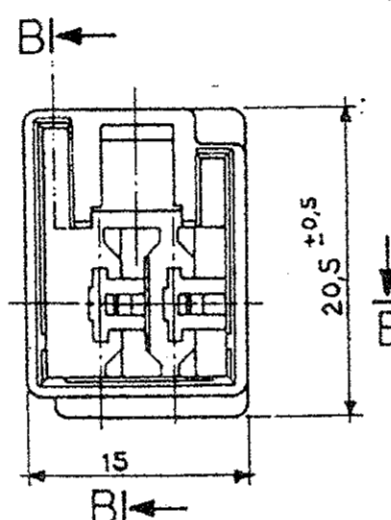
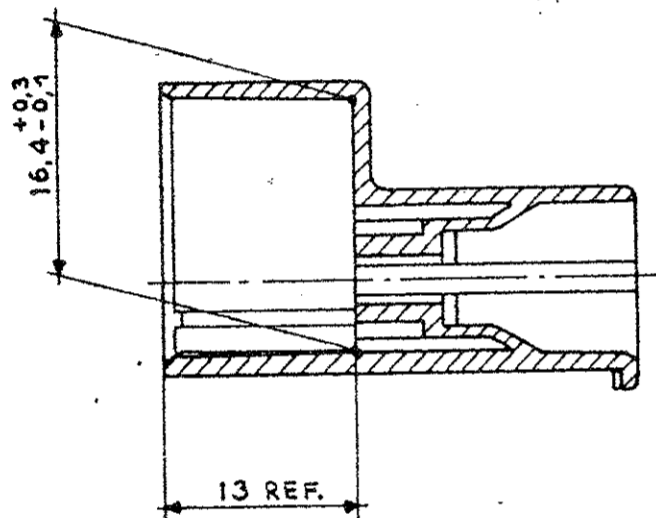
281866 -2



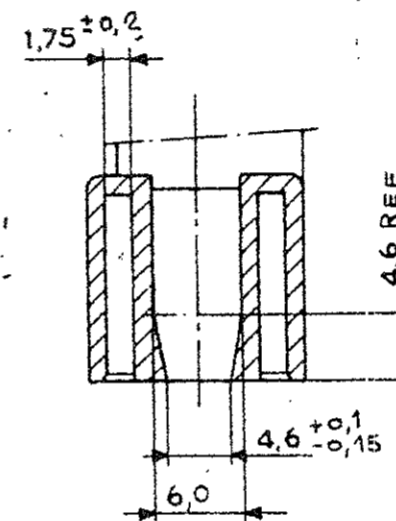
281866 -3

DO NOT SCALE		METRIC		THIRD ANGLE PROJECTION	
DIMENSIONS IN mm					
QTY REQ'D PER ASSY		PART NO		PART LIST	
				DESCRIPTION	
				ITEM NO	

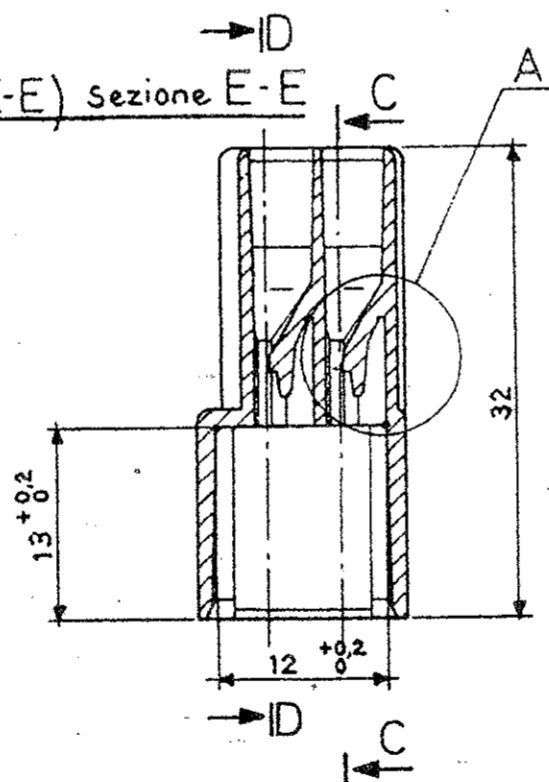
Sezione B-B (Section B-B)



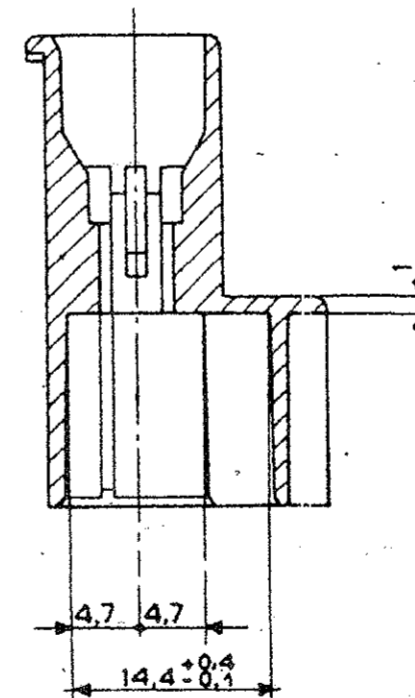
Sezione F-F (Section F-F)



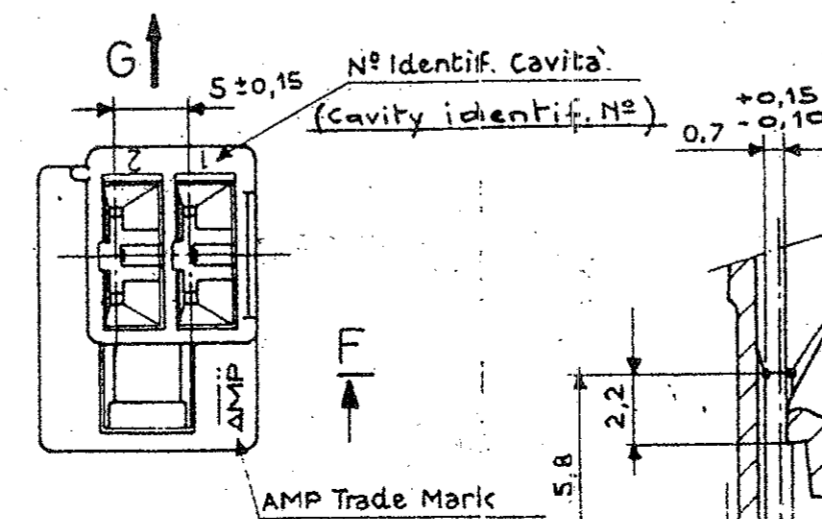
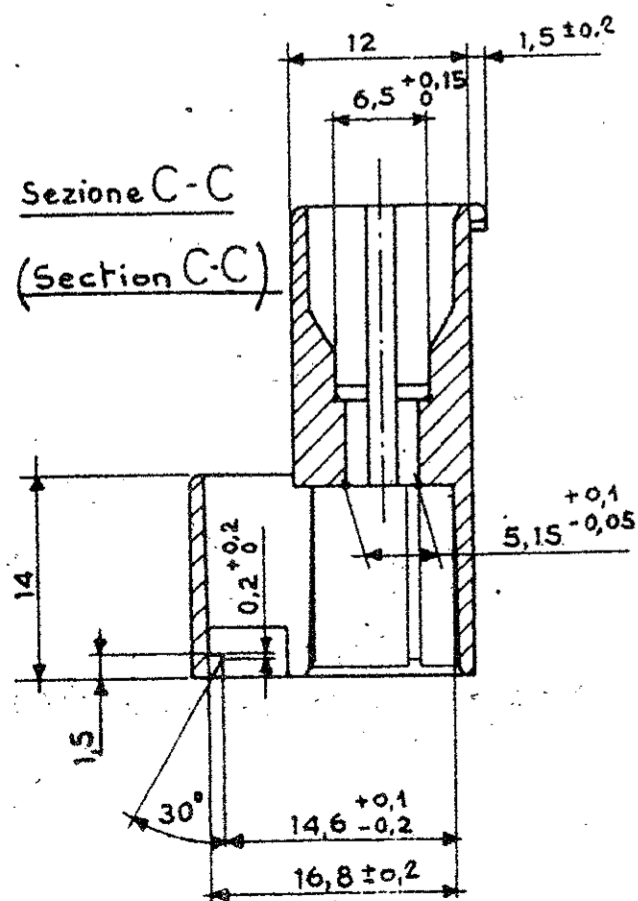
(Section E-E) Sezione E-E



Sezione D-D (Section D-D)



Sezione C-C (Section C-C)



Dettaglio A (Detail A)

Nero (BLACK)		281866 -3
Marrone (BROWN)		281866 -2
Naturale (CLEAR)	PA 6.6 30% car.Vetro (PA6.6 30% Glass fibre)	281866 -1
FINITURA / COLORE (FINISH / COLOUR)	MATERIALE (MATERIAL)	NUMERO (PART NUMBER)
<b>CUSTOMER DWG. FOR REFERENCE ONLY</b>		<b>DISEGNO PER CLIENTE SOLO PER RIFERIMENTO</b>
RELEASE FOR PUBLICATION 1987		
© COPYRIGHT 1987 BY AMP INCORPORATED, HARRISBURG, PA. ALL RIGHTS RESERVED. AMP PRODUCTS MAY BE COVERED BY U.S. AND FOREIGN PATENT AND/OR PATENT PENDING.		

NOTE	FINISH / COLOUR	TOTAL SURFACE AREA SQ. mm	WIRE RANGE	MATERIAL	PART NUMBER
				UNLESS OTHERWISE SPECIFIED	
				0 DEC. PLACE ± 0.3	ANGLES ± 0° 30'
				1 DEC. PLACE ± 0.1	
				2 DEC. PLACE ± 0.05	
				TRIMMING BURRS NOT TO EXCEED mm	
				<b>AMP</b> AMP ITALIA Sp.A. Corso F.lli Cervi, 15 COLLEGNO (TORINO)	
				NAME	
				5mm PITCH TAB HOUSING (2WAY)	
B Dim. 12 was 12.1	O.C.	13.7mm BS		LOC	SIZE
A Released for prod	O.C.	APP		DWG NO	REV. SHEET
REV LTR	REVISION RECORD	E.C.N	DR	DATE	SCALE
				I A2 C-281866	B 1 di 1

PRODUCT RESTRICTED TO FIAT S.P.A. AND FIAT SUBSIDIARIES HARNESS MAKERS

THIS INFORMATION IS CONFIDENTIAL AND IS DISCLOSED TO YOU ON CONDITION THAT NO FURTHER DISCLOSURE IS MADE BY YOU TO OTHER THAN AMP PERSONNEL WITHOUT WRITTEN AUTHORIZATION FROM AMP ITALIA S.p.A.