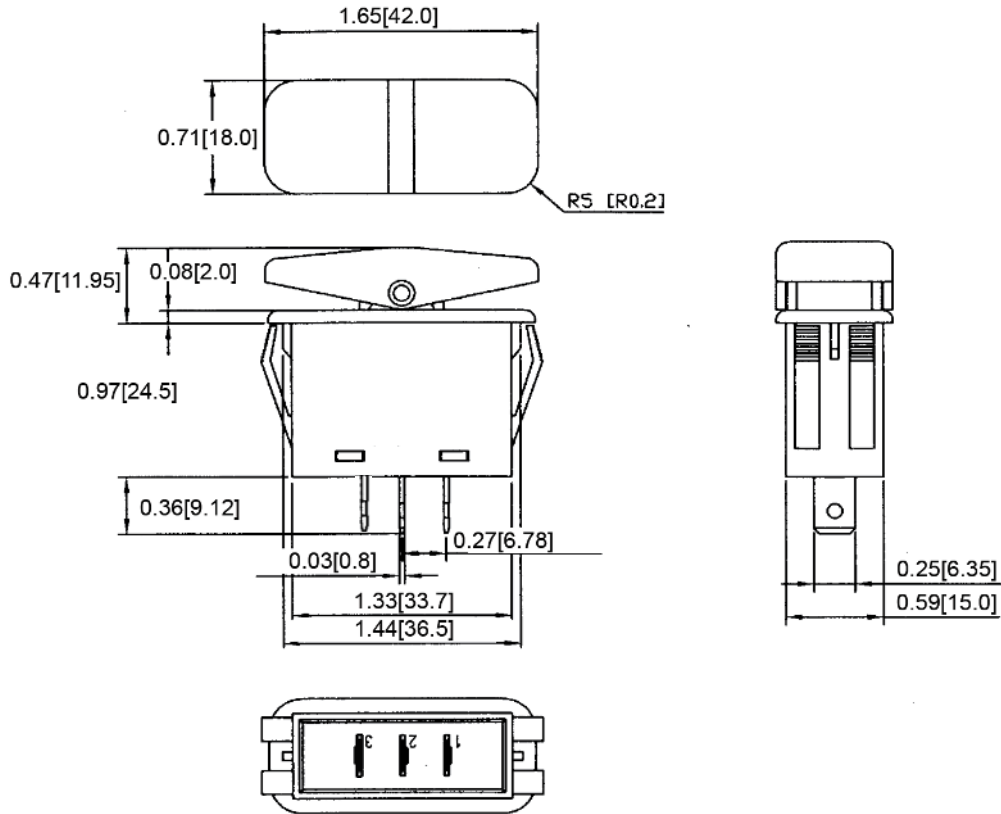
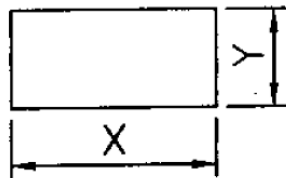


**Mechanical Dimensions: Inches [mm]**

Tolerances  $\pm 0.012$  [0.3] Unless Otherwise Specified



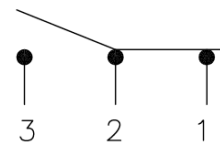
**Mounting Hole**



Thickness	X	Y
0.03~0.20 [0.75~5.0]	1.45+0.01 [36.8+0.2]	0.60+0.01 [15.3+0.2]

**Circuit Diagram**

3P SPST ON-ON



**Electrical Specifications**

<b>Rating</b>	21A 14V DC, 10A 28V DC
<b>Contact Resistance</b>	50m ohm Max
<b>Insulation Resistance</b>	DC 500V 100M ohm Min
<b>Dielectric Strength</b>	AC 1500V 1minute
<b>Operation Temperature</b>	-20°C~85°C

**Material Specifications**

<b>Frame</b>	Black, Nylon #66
<b>Actuator</b>	Black, Nylon 66+33%GF
<b>Terminals</b>	Copper alloy , Silver plated
<b>Waterproof</b>	IP56

Rev	Date of issue	Revision Notes	Designed	Approved
B	02-26-2020	Initial Drawing	RC	OF