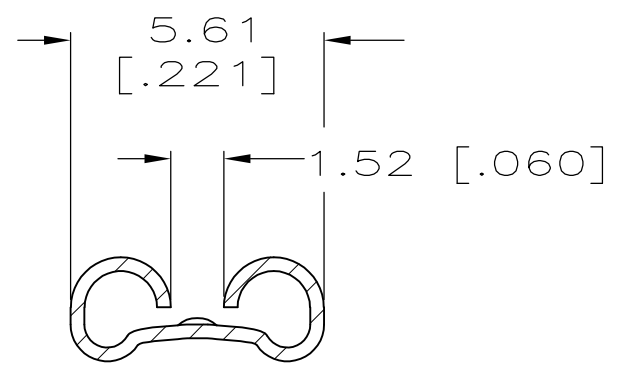
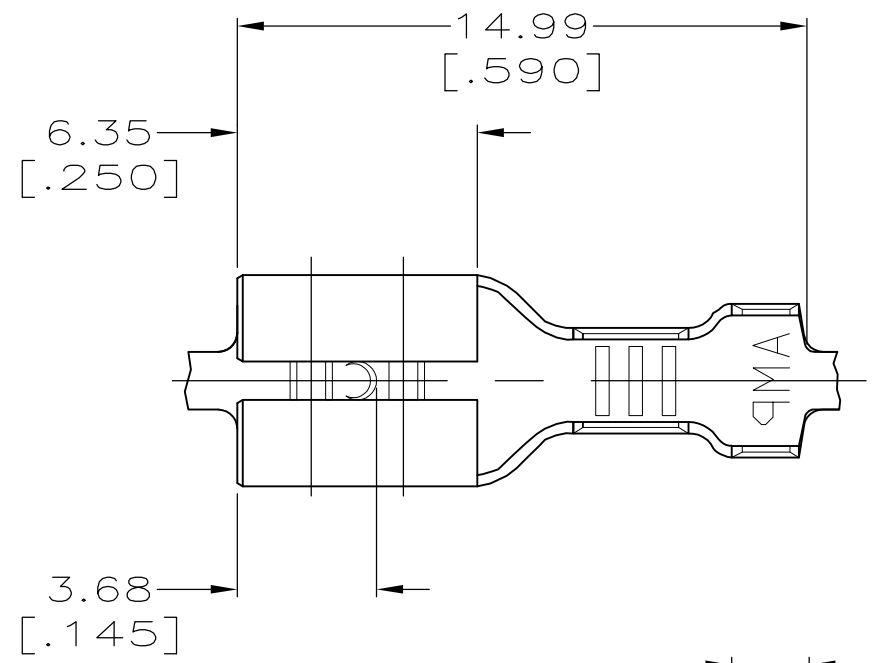


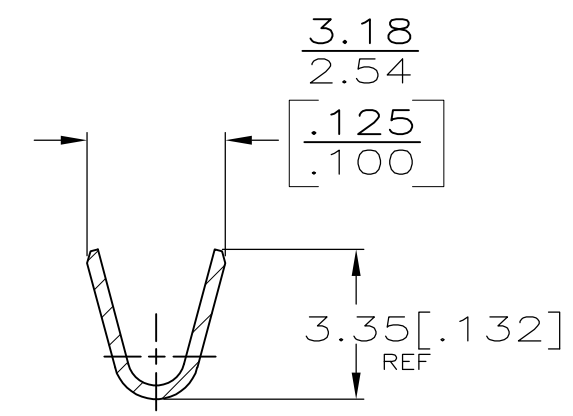
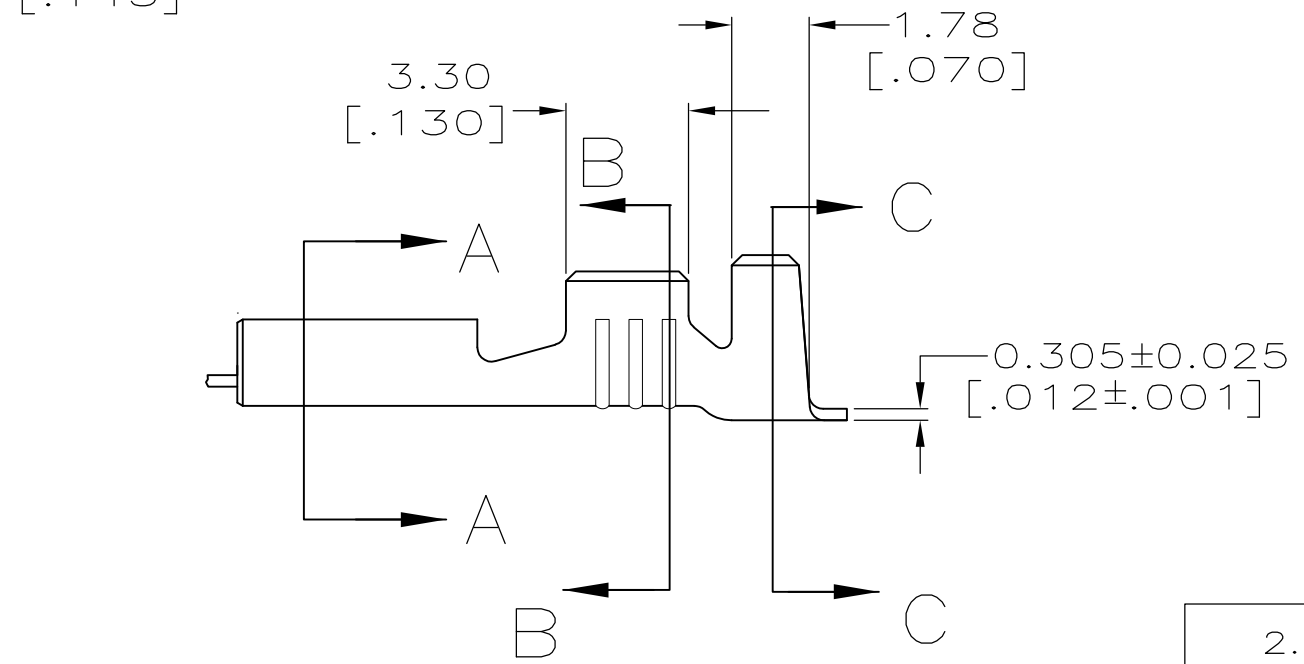
THIS DRAWING IS UNPUBLISHED. RELEASED FOR PUBLICATION
 © COPYRIGHT BY TYCO ELECTRONICS CORPORATION. ALL INTERNATIONAL RIGHTS RESERVED.

LOC	DIST	REVISIONS					
AF	50	P	LTR	DESCRIPTION	DATE	DWN	APVD
		C		REV PER ECR 10-021103	06DEC10	JR	PD

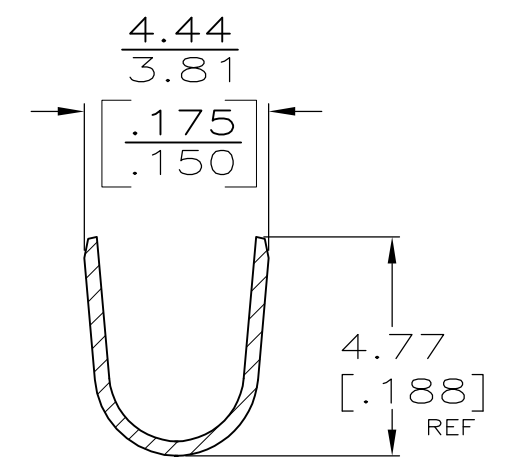
- 1 CONTINUOUS STRIP ON REELS.
- 2 NICKEL PLATE 0.00381 [.000150] MIN THK.



SECTION A-A



SECTION B-B



SECTION C-C

2.29-3.30 DIA [.090-.130] DIA	[#20-#16] AWG	0.813±0.025 [.032±.001]	63850-1
INSULATION RANGE	WIRE SIZE	MATING TAB THICKNESS	PART NO.

THIS DRAWING IS A CONTROLLED DOCUMENT.		DWN JR RUTH 9/19/95	Tyco Electronics Corporation Harrisburg, PA 17105-3608				
DIMENSIONS: MM [INCHES]		CHK MS FEHER 9/19/95			NAME		
TOLERANCES UNLESS OTHERWISE SPECIFIED:		APVD R REINER 9/19/95	RECEPTACLE, FASTON, 4.75 [.187] SERIES				
0 PLC ± - 1 PLC ± - 2 PLC ± 0.25 [.010] 3 PLC ± - 4 PLC ± - ANGLES ± -		PRODUCT SPEC	SIZE	CAGE CODE	DRAWING NO	RESTRICTED TO	
MATERIAL T2 C.R.STEEL		FINISH	A300779		C-63850		
			CUSTOMER DRAWING		SCALE 5:1	SHEET 1 OF 1	REV C