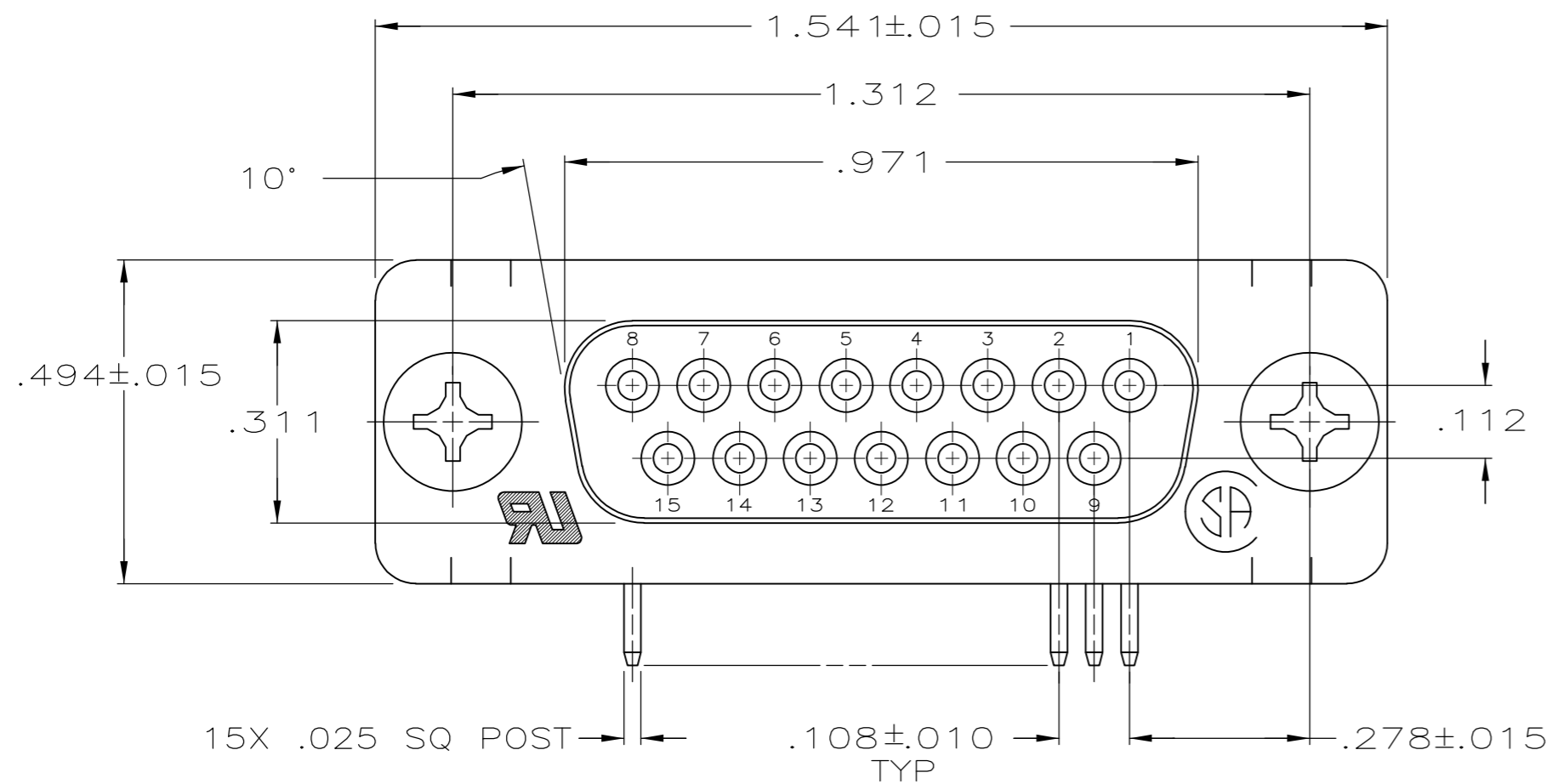
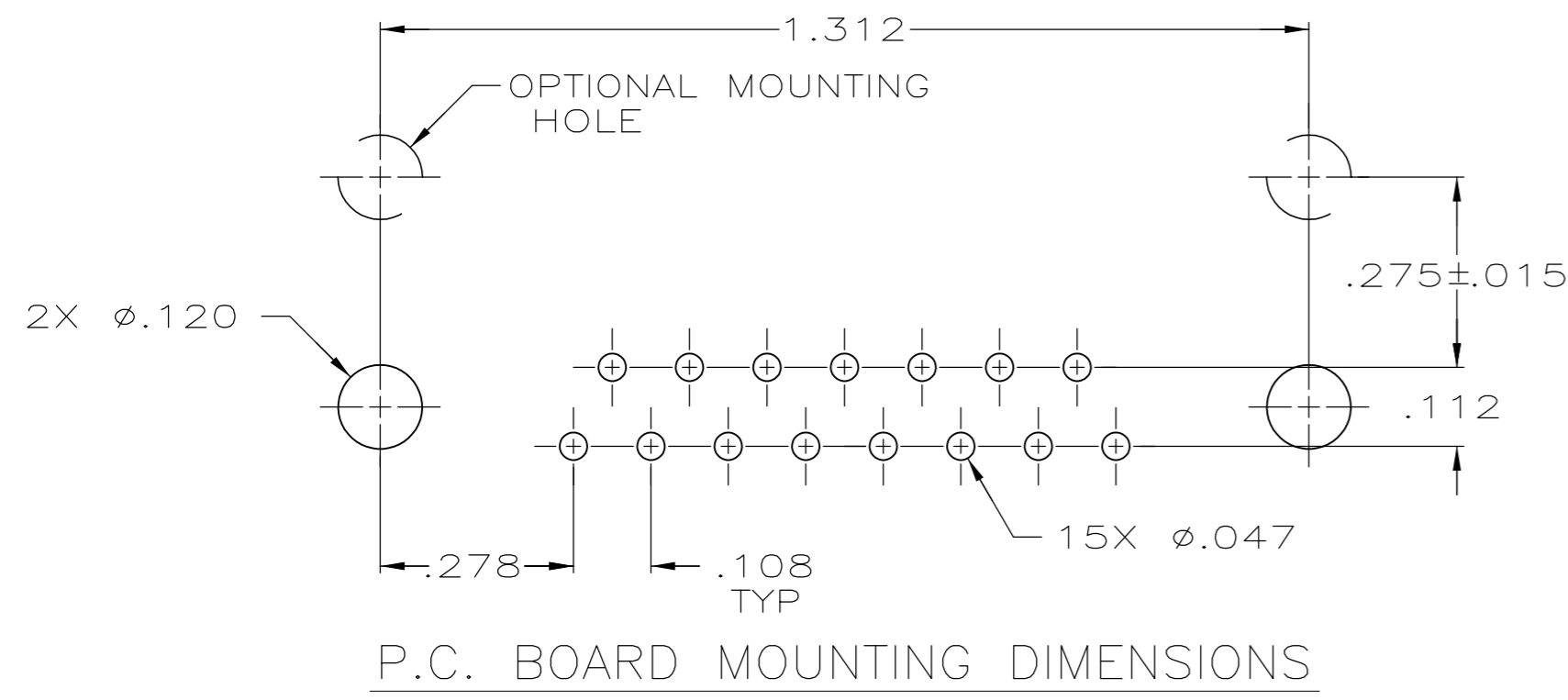
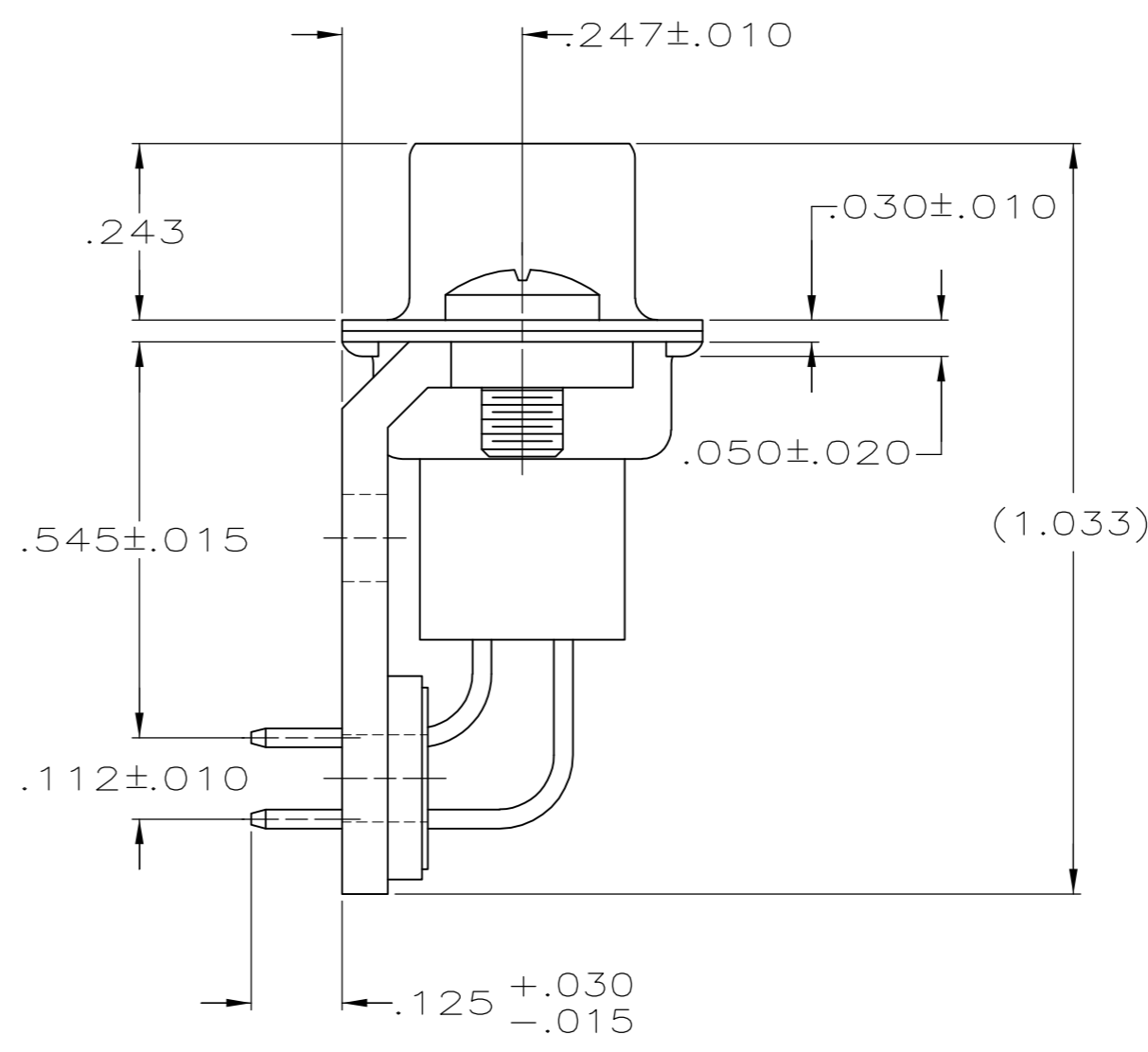
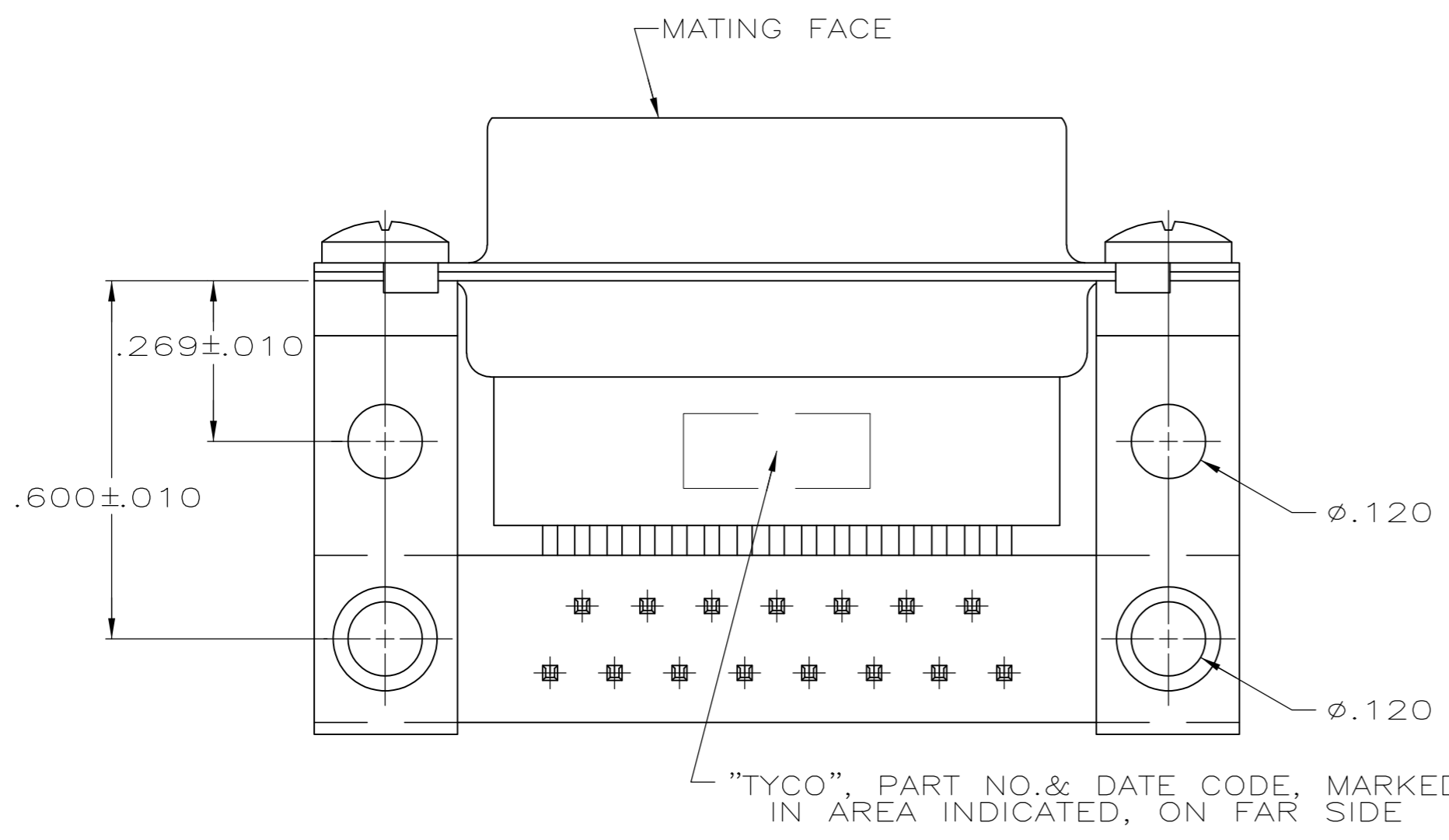


THIS DRAWING IS UNPUBLISHED. RELEASED FOR PUBLICATION
 © COPYRIGHT 2005 By - ALL RIGHTS RESERVED.

LOC		DIST		REVISIONS			
P	LTR	DESCRIPTION	DATE	DWN	APVD		
GP	00	B	REVISED PER ECO-14-011808	11AUG2014	AP	SB	



- ⚠ MOLDDED PARTS: GLASS-FILLED PBT OR GLASS-FILLED NYLON, UL94V-0 RATED. COLOR: BLACK.
SHELLS & BRACKETS: CARBON STEEL.
CONTACTS: PHOSPHOR BRONZE.
- ⚠ SHELLS: .000200 MIN TIN OVER .000100 MIN COPPER.
BRACKETS: .000200 MIN TIN OVER .000050 MIN COPPER.
CONTACTS: .000030 MIN GOLD FOR A LENGTH OF .100 MIN FROM MATING END, .000100 MIN TIN ON OPPOSITE END, BOTH OVER .000050 MIN NICKEL
-OR-
GOLD FLASH OVER .000030 MIN PALLADIUM NICKEL PLATED FOR LENGTH OF .100 MIN FROM MATING END, .000100 MIN TIN ON OPPOSITE END, BOTH OVER .000050 MIN NICKEL.



5745113-2
 PART NUMBER

THIS DRAWING IS A CONTROLLED DOCUMENT.		DWN	D. HENNY	8-21-05		TE Connectivity		
DIMENSIONS: INCHES		CHK	S. BOLASH	8-21-05		NAME		
TOLERANCES UNLESS OTHERWISE SPECIFIED:		APVD	M. WALMSLEY	8-21-05		RECEPTACLE ASSY, SIZE 2, 15 POSITION, RIGHT ANGLE, .545 SERIES, AMPLIMITE HDP		
0 PLC ± - 1 PLC ± - 2 PLC ± - 3 PLC ± .005 4 PLC ± - ANGLES ± 2° FINISH		PRODUCT SPEC	108-40025	APPLICATION SPEC		SIZE	CAGE CODE	DRAWING NO
MATERIAL		WEIGHT	-	RESTRICTED TO	A2	00779	C=5745113	
SCALE		CUSTOMER DRAWING		SHEET	4:1		1 of 1	
REV		B						