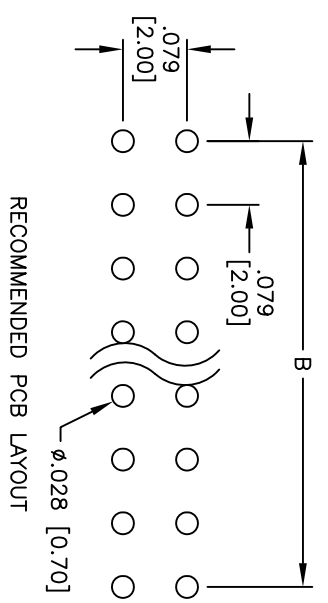
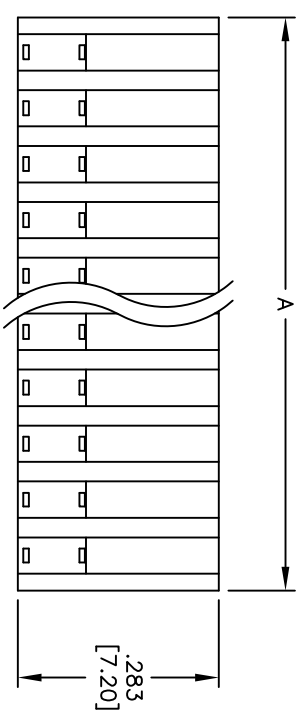
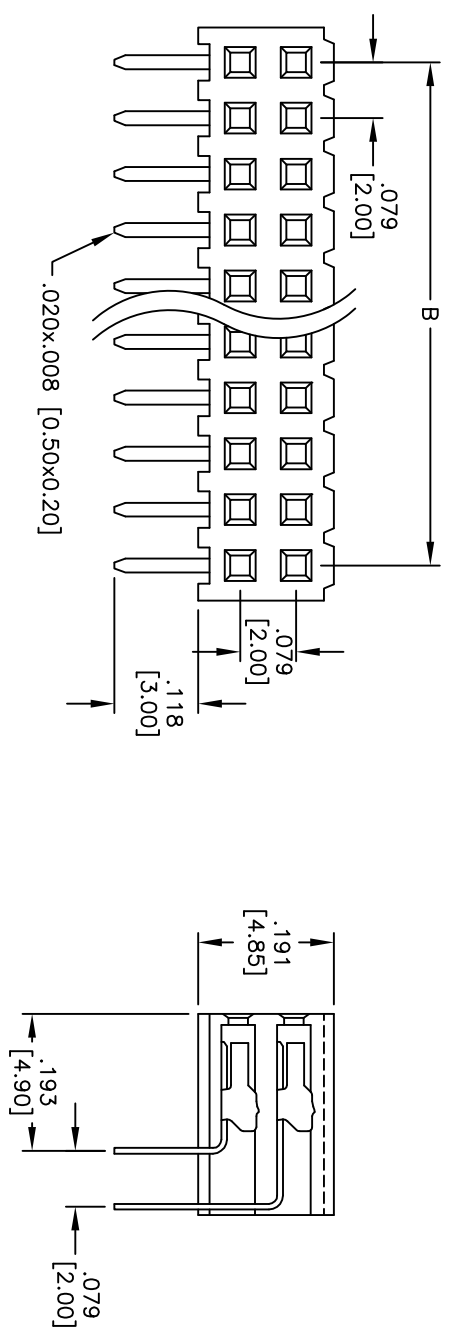


Rev	AWO #	Description	Date	Appr
-		RELEASED	5/27/05	

APPROVED: _____
 DATE: _____ TITLE: _____



SPECIFICATIONS:
 Material: Insulator: Hi-temp thermoplastic, rated UL 94V-0
 Insulator color: Black
 Contacts: Phosphor Bronze
 Plating: Gold flash over Nickel underplate overall

Electrical:
 Current rating: 1 Amp max.
 Contact resistance: 20 mohms max. initial
 Insulation resistance: 5,000 Mohms min.
 Temperature Rating: Operating temperature: -40°C to +105°C

Environmental:
 Lead free, RoHS compliant

Positions: 04 thru 80
 A = .079 [2.00] x No. of Positions per Row
 B = .079 [2.00] x No. of Spaces

UNLESS OTHERWISE SPECIFIED ALL DIMENSIONS ARE INCHES [MM]	
TOLERANCES: EXCEPT AS NOTED	
INCHES	HOLES
.X ± .10	ØXX ± .10
.XX ± .020	ØXXX ± .015
.XXX ± .015	ØXXXX ± .010
APPROVALS	DATE
DRAWN	SS
CHECKED	5/27/05
APPROVED	

ADAM TECH
 909 Rahway Avenue, Union, NJ 07083
 Phone: 908-687-5000 Fax: 908-687-5710

TITLE: .079 x .079 DUAL ROW RECEPTACLE STRIP
 .110 [2.80] HEIGHT, RIGHT ANGLE

SIZE	PART NO.	REV.
X	2RS2R-XX-G	-
REF:	SCALE: NTS	SHEET 1 OF 1

