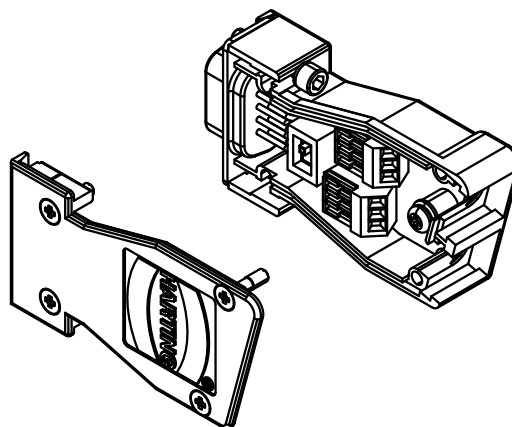
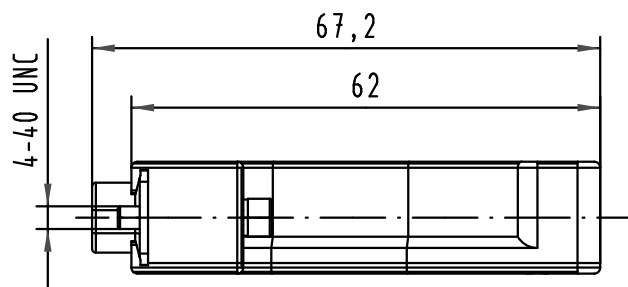
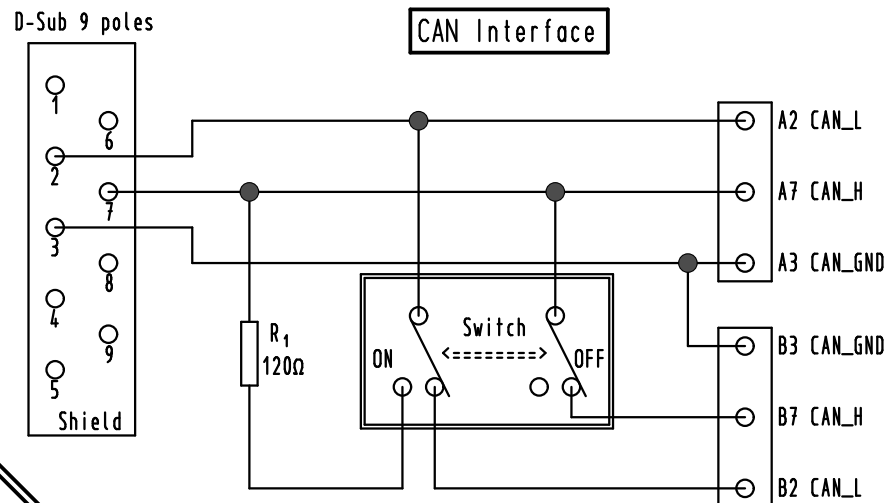
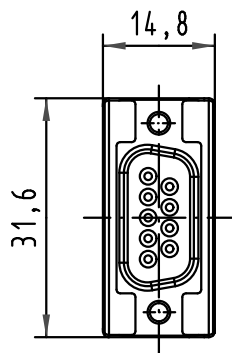
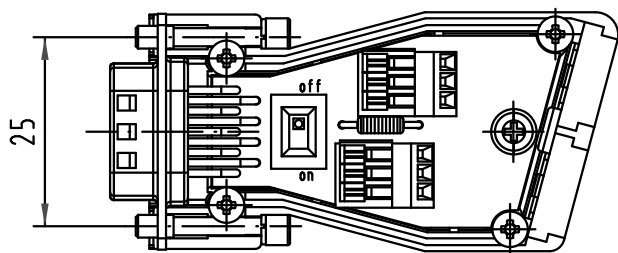


Darstellung ohne Deckel  
view without cover



im Set enthalten :  
in set inclusive :

Anzahl number	Bezeichnung description
2	Crimpflansch 6,0-7,0 crimp flange 6,0-7,0
2	Crimphülse 10,0-11,0 crimp ferrule 10,0-11,0
1	Blindstopfen 9-37 blanking piece 9-37

<p>ALL Dimensions in mm Original Size DIN A 4</p>	Techn. Character.			Nicht tolerierte Maßel Free size tolerances		
		Dat.	Name	Maßstab/Scale <b>1:1</b>	<p><b>InduCom 9</b> Male - CAN - 4-40 UNC With crimp flanges 6,0-7,0 and ferrules 10,0-11,0</p>	
		Detail.	21/09/10			SC
		Insp.				
	Stand.					
	HARTING EURL F-95972 Paris				<p><b>TB 66 63 009 x027</b></p>	
36093	21/09/10	SC	Sub.			Blatt/ page 1 / 1
66 63 009 5027	PL1					
Part number	Performance level					