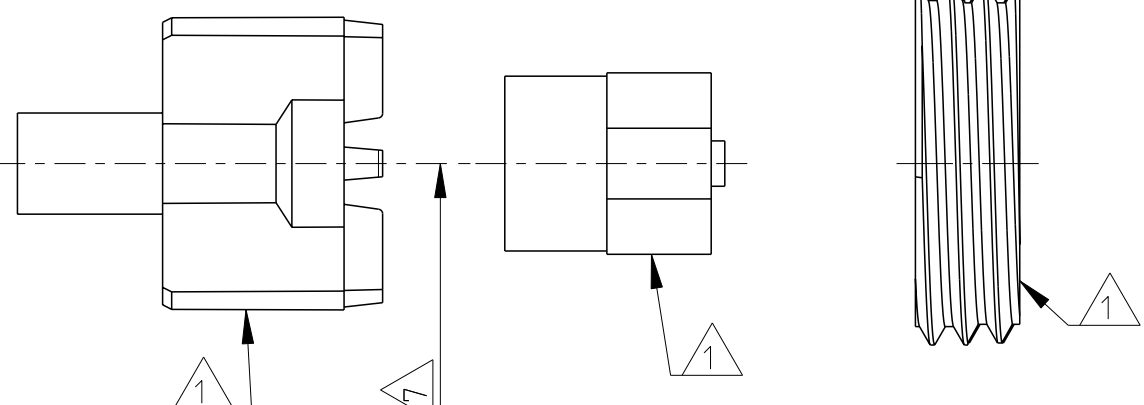
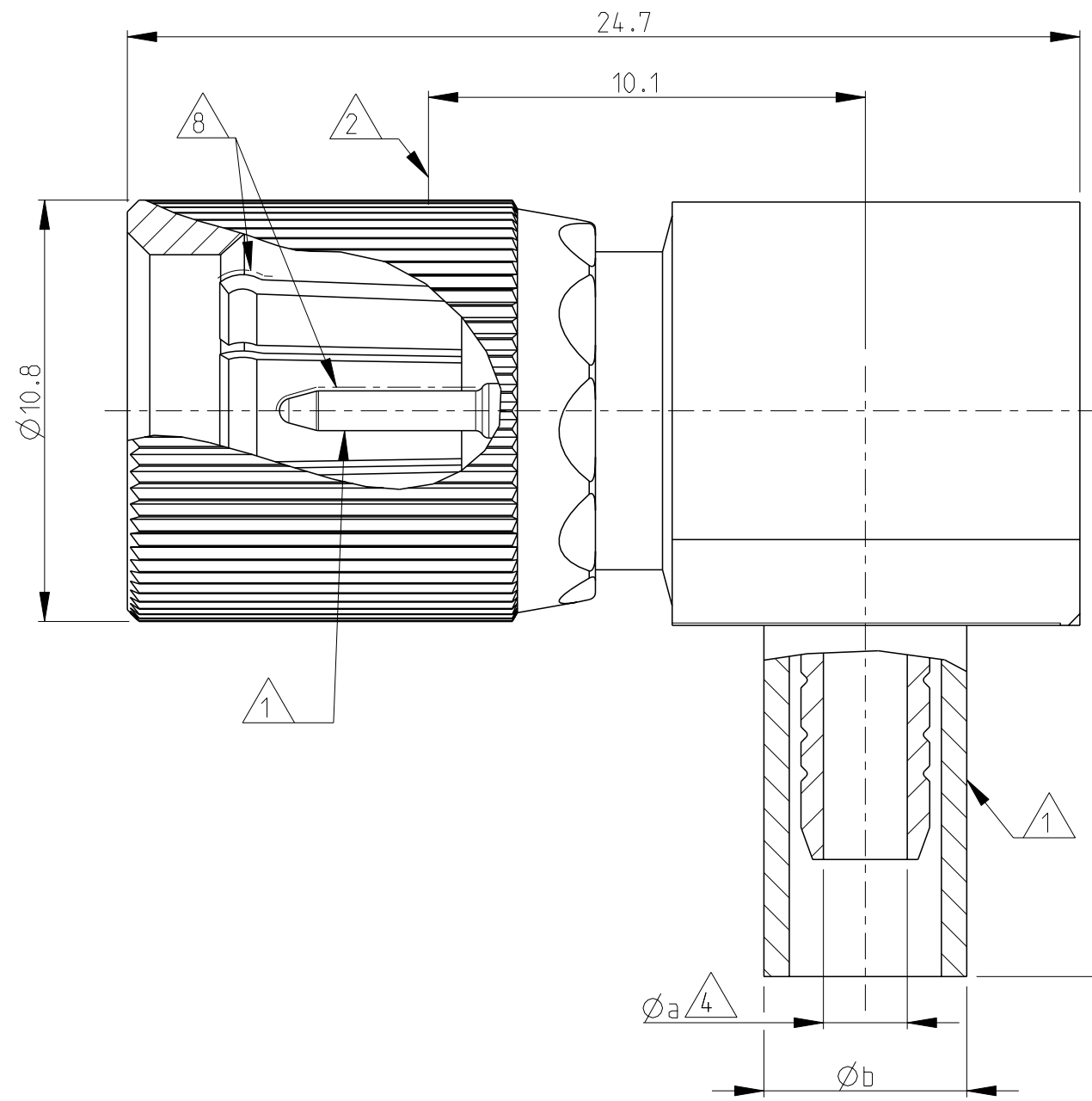
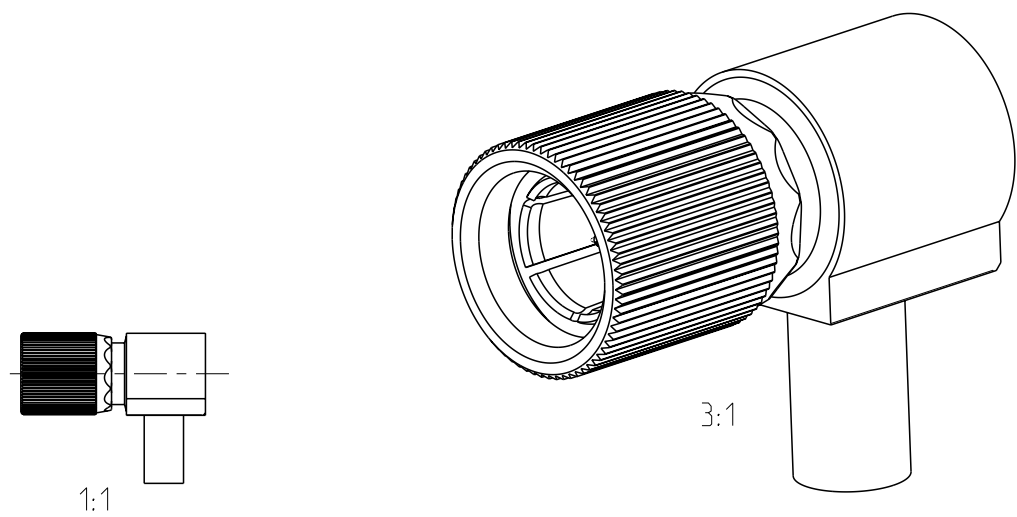


THIS DRAWING IS UNPUBLISHED. RELEASED FOR PUBLICATION 2000
 © COPYRIGHT 2000 BY TYCO ELECTRONICS CORPORATION. ALL RIGHTS RESERVED.

LOC	DIST	REVISIONS					
		P	LTR	DESCRIPTION	DATE	DWN	APVD
IS	-		B3	REVISE PER ECR-17-000730	18JAN2017	LN	RS



- 10 OBSOLETE
- 9 OBSOLETE PARTS: OBSOLETE CIS STREAMLINING PER D.RENAUD/D.SINISI
- 8 Contact area.
- 7 When ferrule is fully mated
- 6 Packed in tray
- 5) All dimensions are maximum unless otherwise specified.
- 4 Minimum dimensions
- 3) Mating face according to DIN 47295/CECC 22240.
- 2 Reference plane.
- 1 Supplied as loose part.



<small>THIS DRAWING IS A CONTROLLED DOCUMENT FOR TYCO ELECTRONICS CORPORATION IT IS SUBJECT TO CHANGE AND THE CONTROLLING ENGINEERING ORGANIZATION SHOULD BE CONTACTED FOR THE LATEST REVISION.</small>		DWN B. Lenvain 27FEB2001 CHK K. Mattheeuws 5APR2001 APVD R. Leeman 5APR2001		Tyco Electronics Tyco Electronics Ch - Switzerland - Lugano	
DIMENSIONS: mm		TOLERANCES UNLESS OTHERWISE SPECIFIED: 0 PLC ± 1 PLC ± 2 PLC ± 3 PLC ± 4 PLC ± ANGLES ±		NAME Angle Cable Plug 1.6/5.6	
MATERIAL -		FINISH -		PRODUCT SPEC - APPLICATION SPEC 114-71024 WEIGHT -	
CUSTOMER DRAWING				SIZE A3 CAGE CODE 00779 DRAWING NO. C-1-1393680-6	RESTRICTED TO -
				SCALE 6:1	SHEET 1 OF 2
				REV B3	

THIS DRAWING IS UNPUBLISHED. RELEASED FOR PUBLICATION 2000
 © COPYRIGHT 2000 BY TYCO ELECTRONICS CORPORATION. ALL RIGHTS RESERVED.

LOC	DIST	REVISIONS					
IS	-	P	LTR	DESCRIPTION	DATE	DWN	APVD
				SEE SHEET 1			

Cross reference tabel									
Old part number	TE part number	Description	Material	Plating	Øa	Øb	dim c	Cable type	
V23612-C202-A76	4-1393680-4 △9	Outer conductor	CuBe/Bronze	min. 0.2 µm Au over PdNi in contact area △8	2.15	5.2	15	02Y(St)CY 0.45/2.0	
		Center conductor	CuBe/Bronze	min. 0.2 µm Au over PdNi in contact area △8					
		Dielectric	PEEK/PC	-					
V23612-A202-A76A △6	4-1393680-9 △9 △6	Outer conductor	CuBe/Bronze	min. 0.2 µm Au over PdNi in contact area △8	2.15	5.2	15	02Y(St)CY 0.45/2.0	
		Center conductor	CuBe/Bronze	min. 0.2 µm Au over PdNi in contact area △8					
		Dielectric	PEEK/PC	-					
V23612-A202-A76	4-1393680-8 △10	Outer conductor	CuBe/Bronze	min. 0.2 µm Au over PdNi in contact area △8	2.15	5.2	15	02Y(St)CY 0.45/2.0	
		Center conductor	CuBe/Bronze	min. 0.2 µm Au over PdNi in contact area △8					
		Dielectric	PEEK/PC	-					
V23612-A202-A62A	4-1393680-7 △9	Outer conductor	CuBe/Bronze	min. 0.2 µm Au over PdNi in contact area △8	2.15	5.2	15	02Y12YC(MS)C6Y 0.45/2.0	
		Center conductor	CuBe/Bronze	min. 0.2 µm Au over PdNi in contact area △8					
		Dielectric	PEEK/PC	-					
V23612-A202-A62	1-1393680-6	Outer conductor	CuBe/Bronze	min. 0.2 µm Au over PdNi in contact area △8	2.15	5.2	15	02Y(St)CY 0.45/2.0	
		Center conductor	CuBe/Bronze	min. 0.2 µm Au over PdNi in contact area △8					
		Dielectric	PEEK/PC	-					
V23612-A202-A45	4-1393680-3 △10	Outer conductor	CuBe/Bronze	min. 0.2 µm Au over PdNi in contact area △8	2.55	6.2	15	02YCCY 0.4/2.5 2YC(MS)CY 0.4/2.5	
		Center conductor	CuBe/Bronze	min. 0.2 µm Au over PdNi in contact area △8					
		Dielectric	PEEK/PC	-					
V23612-A202-A34	4-1393680-2 △9	Outer conductor	CuBe/Bronze	min. 0.2 µm Au over PdNi in contact area △8	2.35	6.4	18	TR-SP127 TR-SP128	
		Center conductor	CuBe/Bronze	min. 0.2 µm Au over PdNi in contact area △8					
		Dielectric	PEEK/PC	-					
V23612-A202-A32	4-1393680-1 △9	Outer conductor	CuBe/Bronze	min. 0.2 µm Au over PdNi in contact area △8	3.8	8.18	18	TR-SP109	
		Center conductor	CuBe/Bronze	min. 0.2 µm Au over PdNi in contact area △8					
		Dielectric	PEEK/PC	-					

<small>THIS DRAWING IS A CONTROLLED DOCUMENT FOR TYCO ELECTRONICS CORPORATION IT IS SUBJECT TO CHANGE AND THE CONTROLLING ENGINEERING ORGANIZATION SHOULD BE CONTACTED FOR THE LATEST REVISION.</small>		DWN B. Lenvain 5APR2001 CHK K. Mattheeuws 5APR2001 APVD R. Leeman 5APR2001	Tyco Electronics CH - Switzerland - Lugano
DIMENSIONS: mm 	TOLERANCES UNLESS OTHERWISE SPECIFIED: 0 PLC ± 1 PLC ± 2 PLC ± 3 PLC ± 4 PLC ± ANGLES ±	PRODUCT SPEC - APPLICATION SPEC - WEIGHT -	NAME Cable angle plug 1.6/5.6 SIZE A3 CAGE CODE 00779 DRAWING NO. C-1-1393680-6 RESTRICTED TO -
MATERIAL -	FINISH -	CUSTOMER DRAWING SCALE 6:1 SHEET 2 OF 2 REV B3	