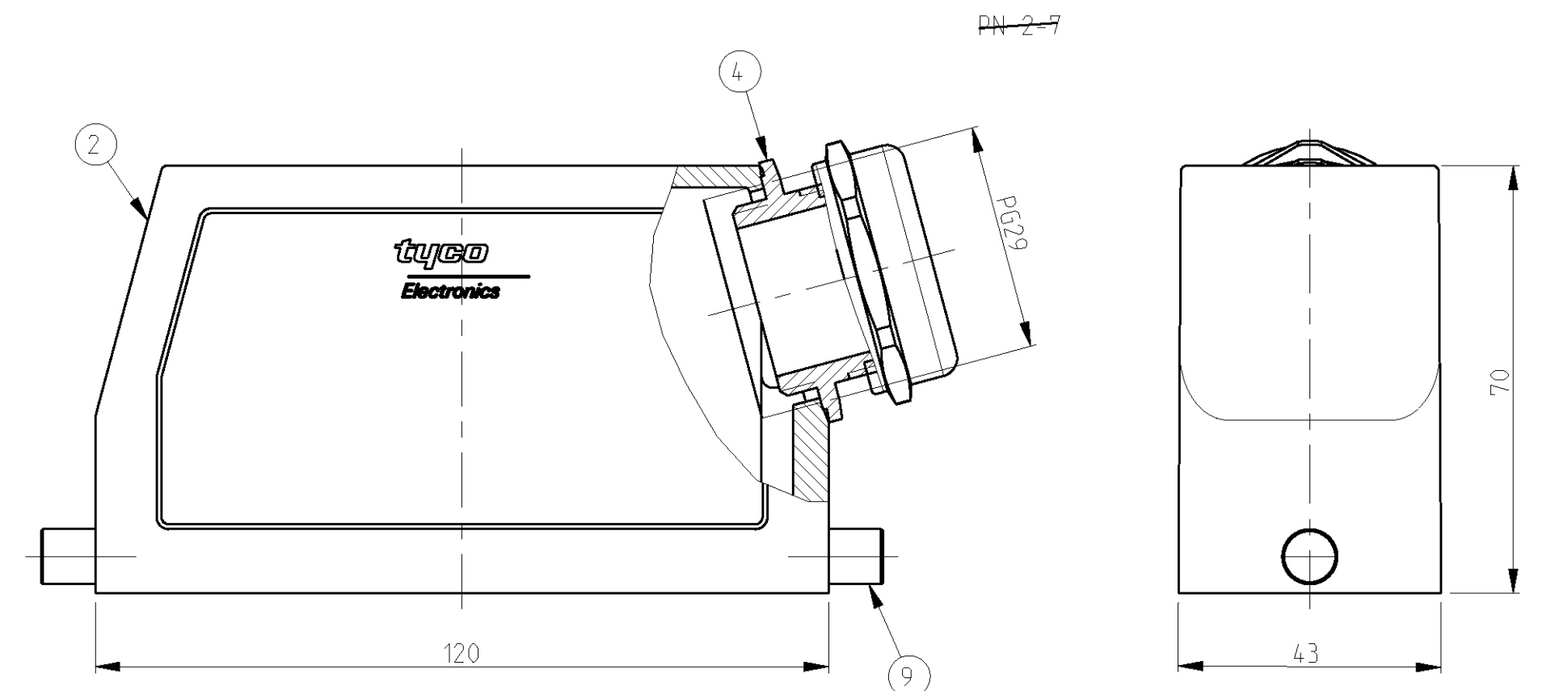
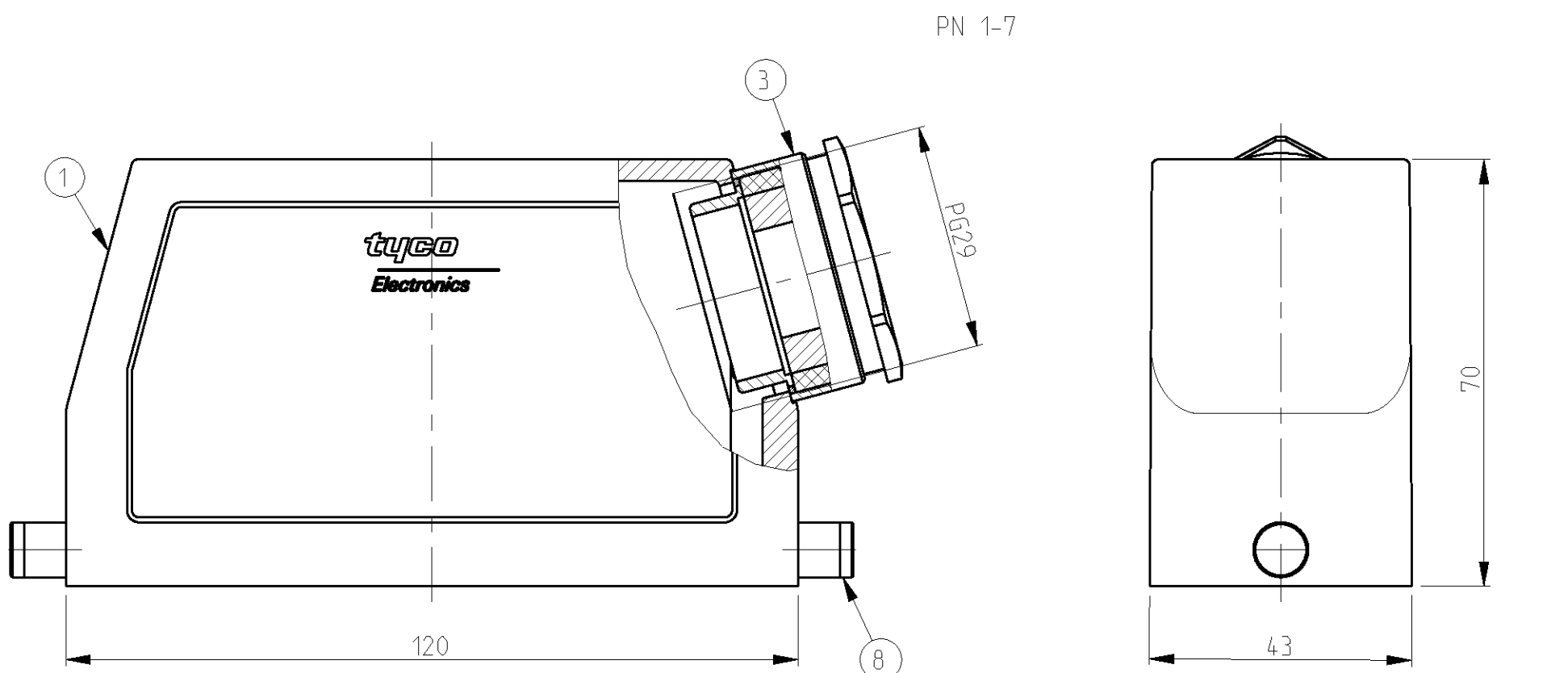
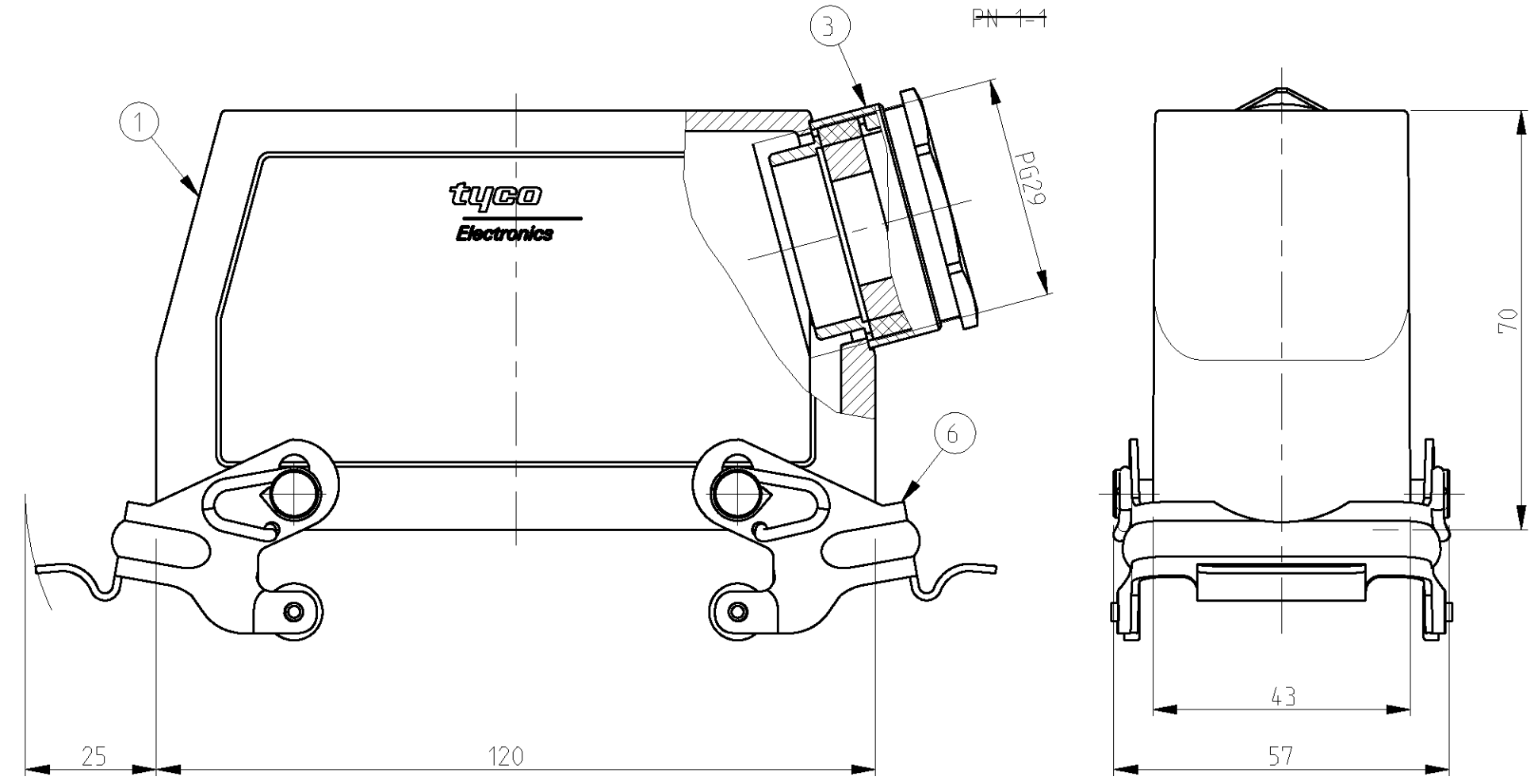
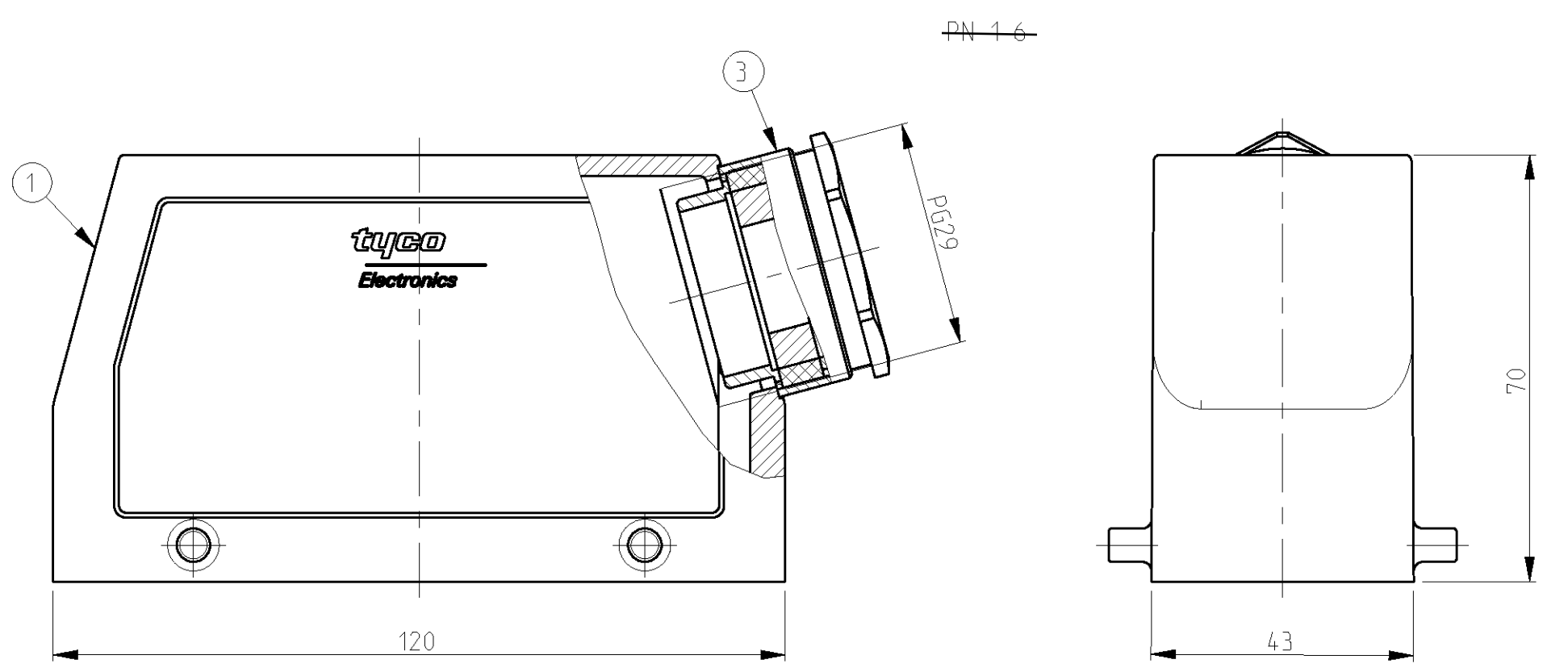
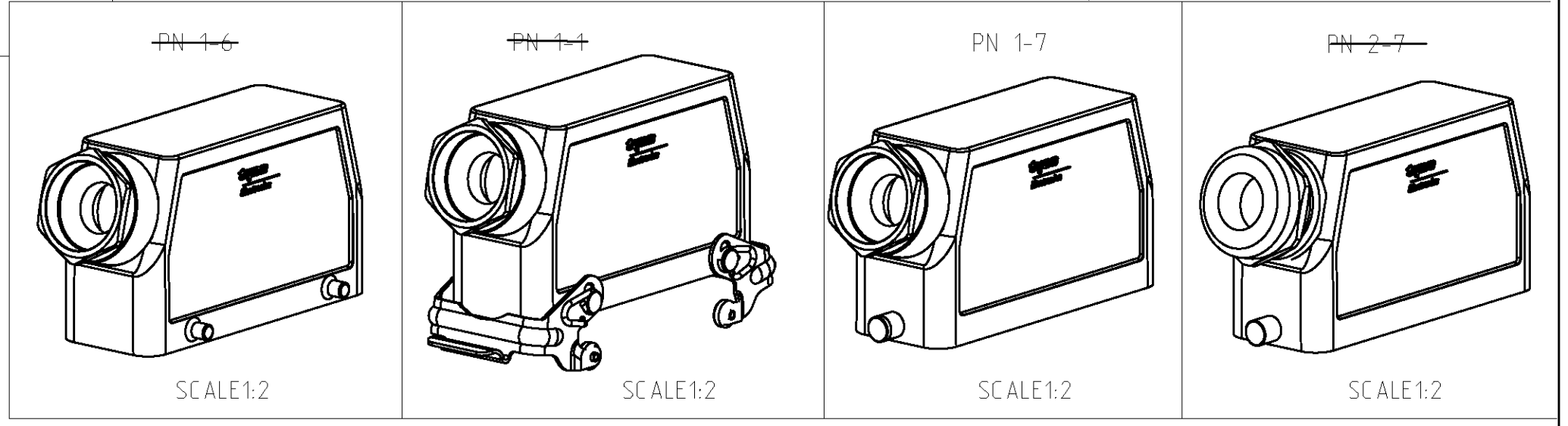
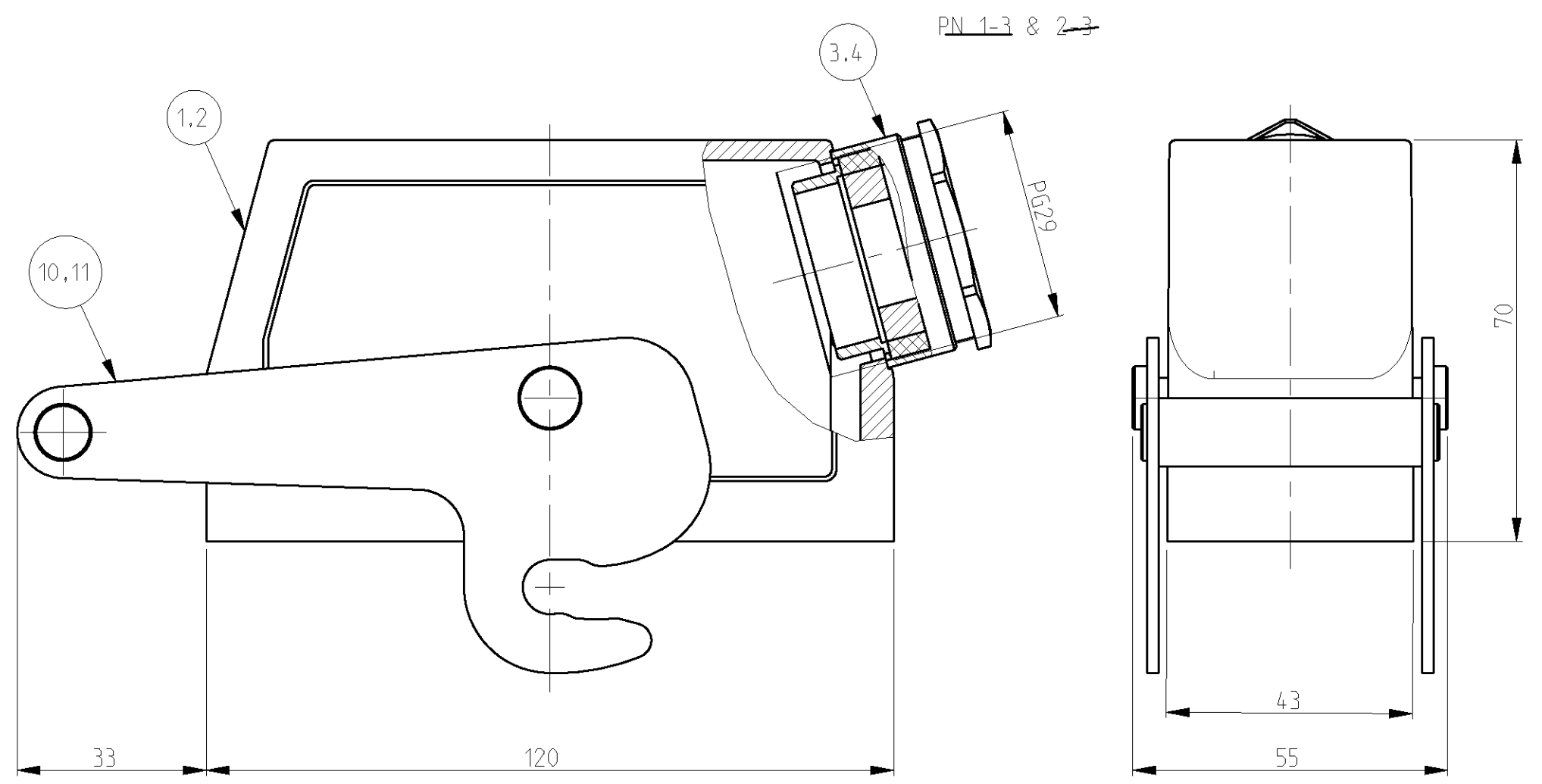
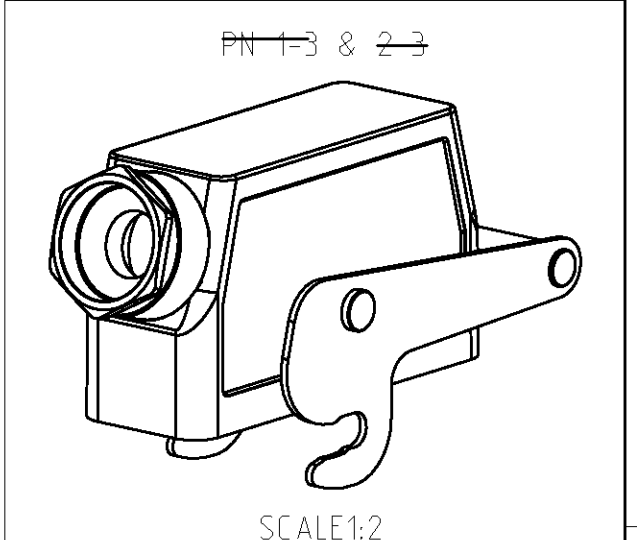


LOC	DIST	REV	DESCRIPTION	DATE	DWN	APVD
A1	-	B5	REVISED PER ECO-09-027197	19JAN10	KK	HMR
		B6	ECR-17-013084	02APR18	SG	MKO



- NOTES
- Material: Housing: Aluminium Diecasting Alloy
  - Surface:- Varnish Grey  
Aluminium oxide  
Varnish Black
  - Varnish on the inside not necessary
  - Packaging  
Quantity 5 piece in a box
- ⚠️ OBSOLETE PARTS: OBSOLETE CIS STREAMLINING PER D.RENAUD/D.SINISI**



QTY	ITEM NO	DESCRIPTION	MATERIAL	SURFACE	COLOR	ITEM NO	NOTES
1	1	Central Locking	Stainless Steel	-	-	11	-
1	2	Central Locking	Steel	Zinc Plated	Blue	10	-
1	3	LB-Clip bolt	Stainless Steel	-	-	9	-
2	4	LB-Clip bolt	Steel	Zinc Plated	Blue	8	-
2	5	VS-Locking clip	Stainless Steel	-	-	7	-
2	6	VS-Locking clip	Steel	Zinc Plated	Blue	6	-
1	7	VS-Clip bolt	Stainless Steel	-	-	5	-
1	8	Cable connection round	Brass	Nickel Plated	-	4	-
1	9	Gland fitting Pg29	Brass	Nickel Plated	-	3	-
1	10	HB.24.Pg.1.29 Hood	Aluminium	Aluminium Oxide	Black	2	-
1	11	HB.24.Pg.1.29 Hood	Aluminium	-	Grey	1	-

ORDERING TEXT

HB.24.Sts.1.29  
 HB.K.24.Sts.1.29  
 HB.24.Sts-VS.1.29  
 HB.K.24.Sts-VS.1.29  
 HB.24.Sts-GR.1.29  
 HB.K.24.Sts-GR.1.29  
 HB.Z.24.Sts-ZB.1.29  
 HB.K.Z.24.Sts-ZB.1.29

TE CONNECTIVITY CORPORATION  
 DIMENSIONS: mm  
 TOLERANCES UNLESS OTHERWISE SPECIFIED:  
 0.100 mm ±0.050  
 0.250 mm ±0.050  
 0.500 mm ±0.050  
 1.000 mm ±0.100  
 1.500 mm ±0.100  
 2.000 mm ±0.100  
 3.000 mm ±0.100  
 4.000 mm ±0.100  
 5.000 mm ±0.100  
 6.000 mm ±0.100  
 7.000 mm ±0.100  
 8.000 mm ±0.100  
 9.000 mm ±0.100  
 10.000 mm ±0.100  
 15.000 mm ±0.150  
 20.000 mm ±0.200  
 25.000 mm ±0.200  
 30.000 mm ±0.200  
 40.000 mm ±0.200  
 50.000 mm ±0.200  
 60.000 mm ±0.200  
 70.000 mm ±0.200  
 80.000 mm ±0.200  
 90.000 mm ±0.200  
 100.000 mm ±0.200  
 150.000 mm ±0.300  
 200.000 mm ±0.300  
 250.000 mm ±0.300  
 300.000 mm ±0.300  
 400.000 mm ±0.400  
 500.000 mm ±0.400  
 600.000 mm ±0.400  
 700.000 mm ±0.400  
 800.000 mm ±0.400  
 900.000 mm ±0.400  
 1000.000 mm ±0.500

DWN: 17.07.1997  
 CHK: Schnurpfa  
 APVD: -

NAME: HHOOD  
 HB.24.Sts.1.29

PRODUCT SPEC: 108-74001  
 108-74003  
 APPLICATION SPEC: 114-74001  
 114-74004

WEIGHT: -

CUSTOMER DRAWING

SCALE: 1:1 SHEET: 1 OF 1 REV: B6