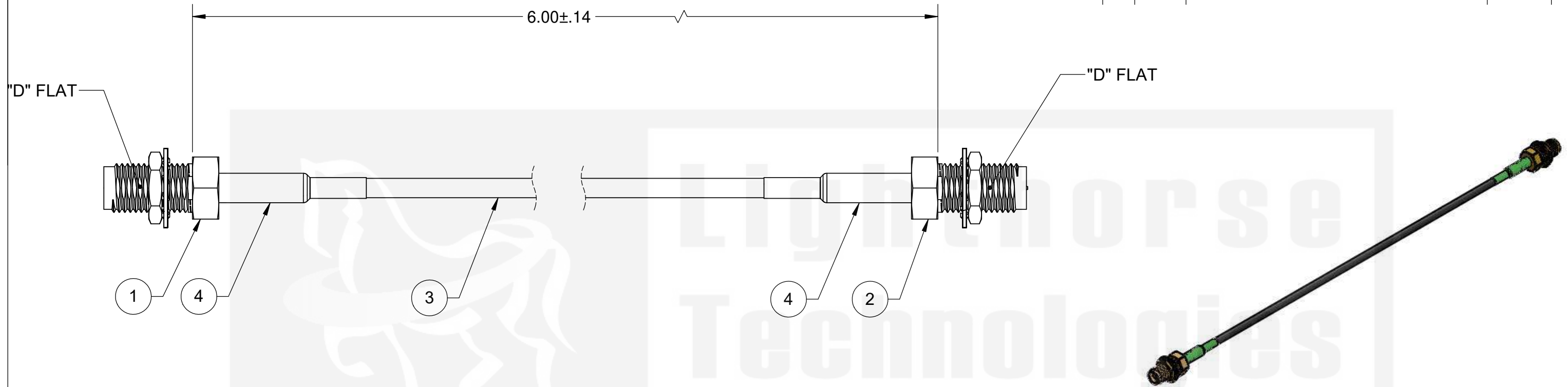


**REVISIONS**

REV	ECR	DESCRIPTION	DRAWN	DATE
1		ENGINEERING RELEASE	M. LARSEN	03/28/2023



ITEM	PART NUMBER	DESCRIPTION	QTY
1	SASF13RGT-316	SMA, STRAIGHT, JACK, BLKHD MNT, CABLE CRIMP	1
2	SASRF13RGT-316	RP-SMA, STRAIGHT, REV POL JACK, BLKHD MNT, CABLE CRIMP	1
3	CNT 100	CABLE, CNT 100 COAX	AR
4	1635F-3/16	HEAT SHRINK, .188 (3/16) DIA, .75 LENGTH, GREEN	2

DO NOT SCALE DRAWING  
 TOLERANCES UNLESS OTHERWISE SPECIFIED  
 DIMENSIONS ARE IN MILLIMETERS  
 X = ±0.5  
 X.X = ±0.25  
 X.XX = ±0.13  
 ANGLE = ±30'

**Lighthouse Technologies**  
 San Diego, CA  
 WWW.RFCONNECTOR.COM

TITLE: CABLE ASSEMBLY, SMA, JACK, BLKHD CRIMP TO RP-SMA JACK, BLKHD CRIMP USING CNT 100 COAX CABLE

**CUSTOMER APPROVAL**

SIGN / DATE:	
ENG APPR.	
CHECKED	
DRAWN	M. LARSEN
	03/28/2023
NAME	DATE

SIZE	PART/DWG. NO:	REV
B	CBQ1-SAF3GT-SARF3GT-6IN	1
SCALE: 2:1	FILE NAME	SHEET 1 OF 1

PROPRIETARY AND CONFIDENTIAL  
 UNLESS OTHERWISE SPECIFIED: THIS DOCUMENT CONTAINS LIGHORSE TECHNOLOGIES INFORMATION. REPRODUCTION, USE, DISCLOSURE OR TRANSMITTAL OF ALL OR ANY PART OF THIS DOCUMENT IS PROHIBITED EXCEPT TO THE EXTENT APPROVED IN WRITING BY AN AUTHORIZED REPRESENTATIVE OF LIGHORSE TECHNOLOGIES. LIGHORSE TECHNOLOGIES RESERVES ALL RIGHTS UNDER PATENTS, TRADEMARKS, COPYRIGHTS AND TRADE SECRETS. COPY RIGHTS OF LIGHORSE TECHNOLOGIES 2011, ALL RIGHTS RESERVED.

