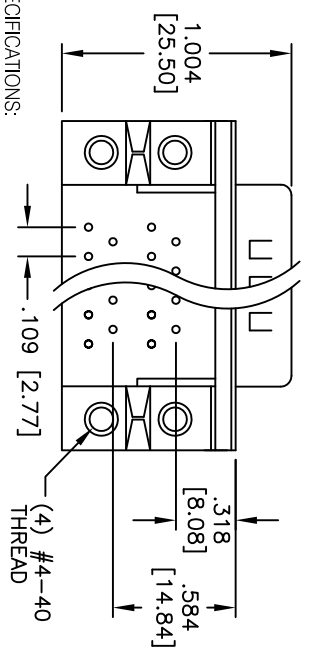
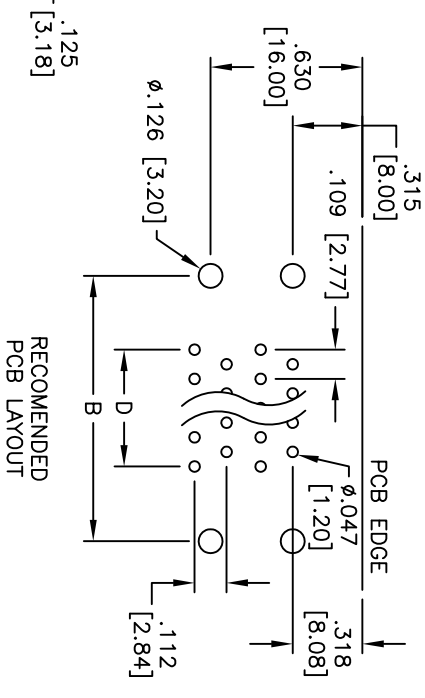
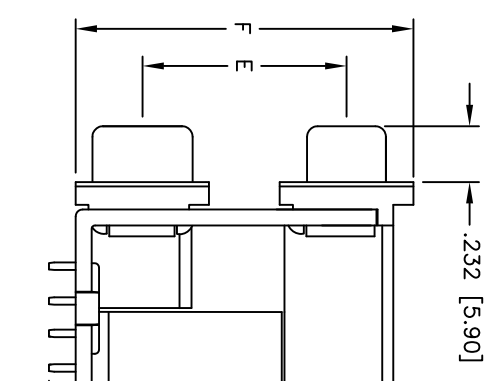
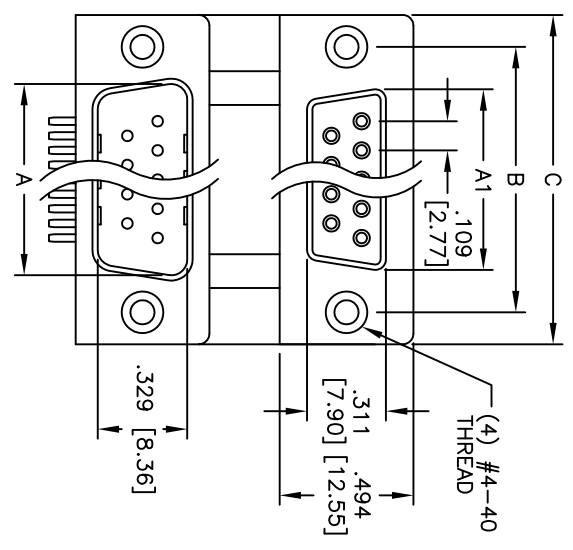


APPROVED: \_\_\_\_\_  
 DATE: \_\_\_\_\_ TITLE: \_\_\_\_\_



PORT SPACING	PLUG DIMENSIONS		
	A2	B2	C2
.900 [22.86]	.900 [22.86]	1.394 [35.41]	
.750 [19.05]	.750 [19.05]	1.244 [31.60]	
.625 [15.88]	.625 [15.88]	1.119 [28.43]	

POSITIONS	DIMENSIONS			
	A	A1	B	C
9	.666 [16.92]	.643 [16.33]	.984 [24.99]	1.213 [30.81]
15	.994 [25.25]	.971 [24.66]	1.312 [33.32]	1.541 [39.14]
25	1.534 [38.96]	1.511 [38.38]	1.852 [47.04]	2.088 [53.04]
37	2.182 [55.42]	2.160 [54.84]	2.500 [63.50]	2.729 [69.32]

**SPECIFICATIONS:**

Material: Insulator: PBT, rated UL 94V-0  
 Insulator color: Black  
 Contacts: Copper Alloy  
 Shell: SPC, Nickel plated  
 Bracket: Zinc Copper, Nickel plated  
 Plating:  
 Gold over Nickel underplate in contact area,  
 Tin over Copper underplate on solder tails.  
 Electrical:  
 Operating voltage: 250 VAC max  
 Current rating: 3 Amps max.  
 Contact resistance: 25 milliohms max.  
 Insulation resistance: 5,000 Medohms min.  
 Dielectric withstanding voltage: 1,000 VAC for 1 minute  
 Temperature Rating:  
 Operating temperature: -55°C to +85°C  
 Environmental:  
 Lead free, RoHS compliant.



Rev	AWO #	Description	Date	Appr
-		RELEASED	6/10/05	
A		REVISED SPEC.	11/13/14	AV/LL

UNLESS OTHERWISE SPECIFIED  
 ALL DIMENSIONS ARE INCHES [MM]  
 TOLERANCES: EXCEPT AS NOTED

.X	± .10	ØX	± .10
.XX	± .020	ØXX	± .015
.XXX	± .015	ØXXX	± .010

APPROVALS: \_\_\_\_\_ DATE: \_\_\_\_\_

DRAWN: SS 6/10/05  
 CHECKED: \_\_\_\_\_  
 APPROVED: \_\_\_\_\_

SIZE: X  
 PART NO.: DPP-XX-01-X2  
 SCALE: NTS SHEET 1 OF 1

TITLE: DUAL PORT D-SUB, FEMALE / MALE  
 #4-40 THREADED HOLES

**ADAM TECH**  
 909 Rahway Avenue, Union, NJ 07083  
 Phone: 908-687-5000 Fax: 908-687-5710