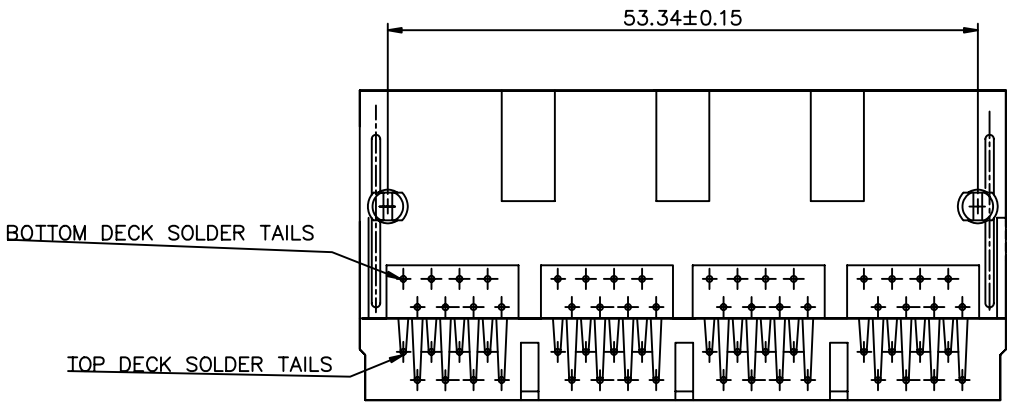
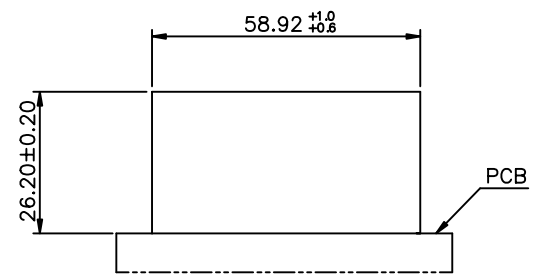
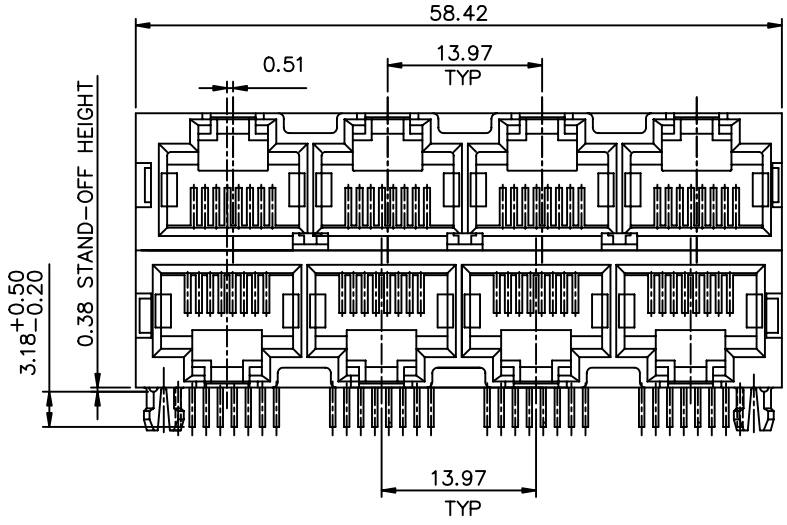
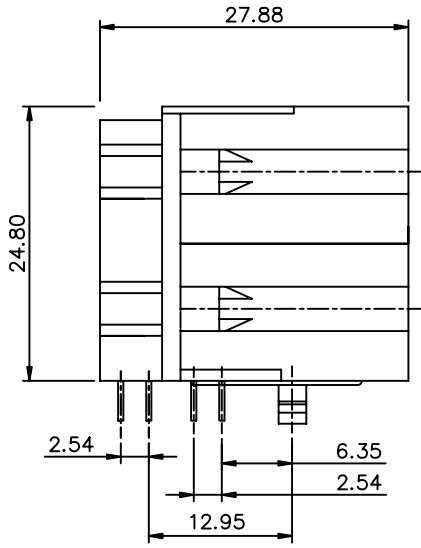


Tous droits strictement réservés. Reproduction ou communication à des tiers sans autorisation écrite du propriétaire. Droits de reproduction BERG ELECTRONICS by

All rights strictly reserved. Reproduction or issue to third parties in any form without written authority from the proprietor. Copyright BERG ELECTRONICS by



RECOMMENDED PANEL CUT-OUT

mat'l code		tolerance unless otherwise specified		CUSTOMER COPY		www.fciconnect.com		
rev.	ecn no.	dr	date	linear	.0 ± 0.25	projection	title	
A	N05-0178	ZC	6/21/05		.00 ± 0.13			
B	N06-0185	LONG	7/07/06	.000 ± 0.05	angles ± 2° dr Zhengcai Tao 6/16/05 engr Zhengcai Tao 6/16/05 chr Zhengcai Tao 6/16/05 appd Jason Zhou 6/16/05	product family	MOD JACK	
sheet	revision	B	B	scale		2:1	size	dwg no.
index	sheet	1	2			A3	10057285	sheet
								1 OF 2

Tous droits strictement réservés. Reproduction ou communication à des tiers sans autorisation écrite du propriétaire.
 FCJ ELECTRONICS INC. Droits de reproduction BERG ELECTRONICS by

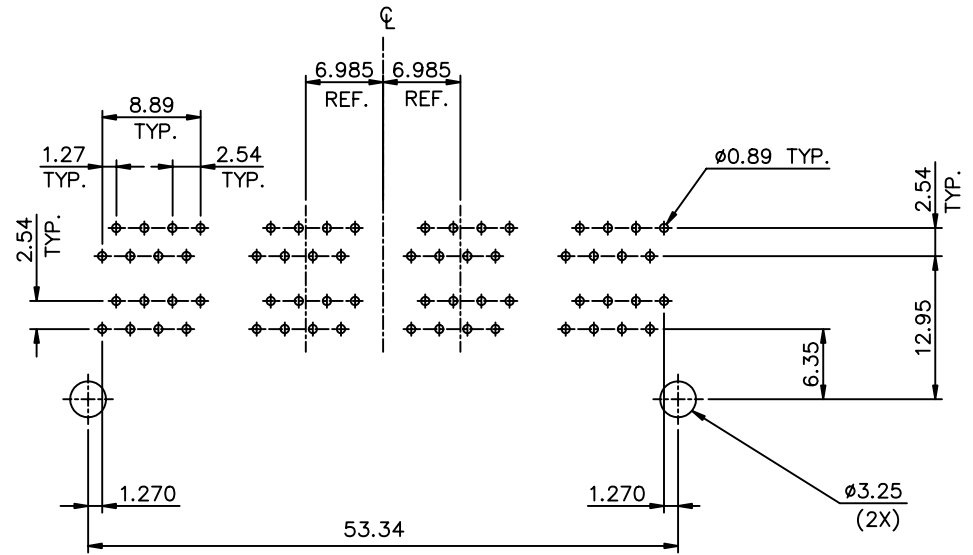


All rights strictly reserved. Reproduction or issue to third parties in any form without written authority from the proprietor.
 Property of FCJ ELECTRONICS INC. Copyright BERG ELECTRONICS by

PRODUCT NO.	PORT NUMBERS	PACKAGING	REMARKS	PLATING
10057285-004-R 10057285-004-RLF	4x2	USING TRAY	AVAILABLE	30 ν " G.X.T.
10057285-304-R 10057285-304-RLF				30 ν " GOLD.
10057285-504-R 10057285-504-RLF				50 ν " GOLD.

NOTES:

- RECOMMENDED P.C.B THICKNESS 1.60 MM
- HOUSING MAT'L: NYLON 6/6, 25% G.F., UL 94V-0, COLOR - BLACK.
- CONTACTS: PHOS BRONZE ALLOY UNS-C51000, ϕ 0.460 ROUND WIRE, PLATING SEE TABLE.
- THE PRODUCT MEETS EUROPEAN UNION DIRECTIVES AND OTHER COUNTRY REGULATIONS AS DESCRIBED IN GS-22-008
- THE HOUSING WILL WITHSTAND EXPOSURE TO 260° PEAK TEMPERATURE FOR 10 SECONDS IN A WAVE SOLDER APPLICATION WITH A 1.60MM MINIMUM THICK CIRCUIT BOARD.
- IF LF P/N PACKAGING MEETS GS-14-920 SPECIFICATION.



RECOMMENDED P.C.B LAYOUT
 COMPONENT SIDE

mat'l code		tolerance unless otherwise specified		CUSTOMER COPY		FCJ www.fciconnect.com	
rev.	ecn no.	dr	date	linear	.0 \pm 0.25	projection	title RJ45 DOUBLE DECK GANG JACK ASSY
B					.00 \pm 0.13		
				angles	.000 \pm 0.05		
		dr	Zhengcai Tao	6/16/05	unit	mm/inch	product family MOD JACK
		enqr	Zhengcai Tao	6/16/05	scale	2:1	code NT
		chr	Zhengcai Tao	6/16/05	size	A3	sheet 2 OF 2
		appd	Jason Zhou	6/16/05	dwg no.	10057285	
sheet	revision						
index	sheet						