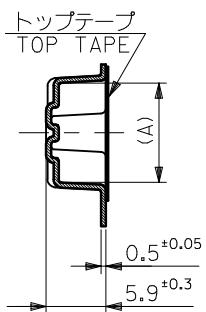
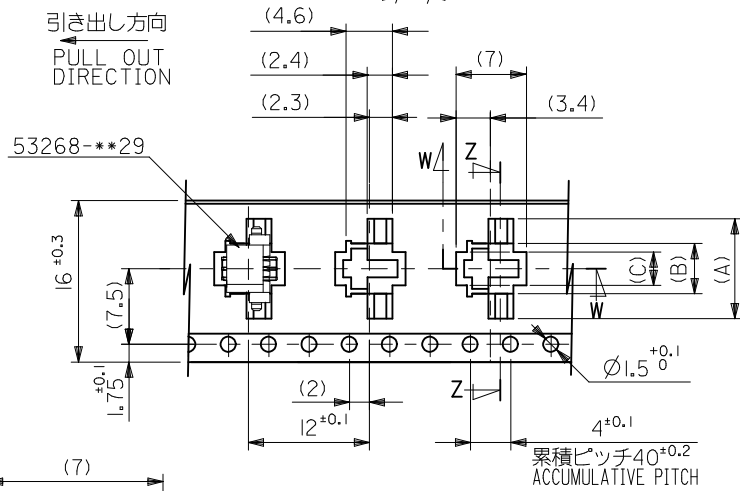


DETAIL "F"



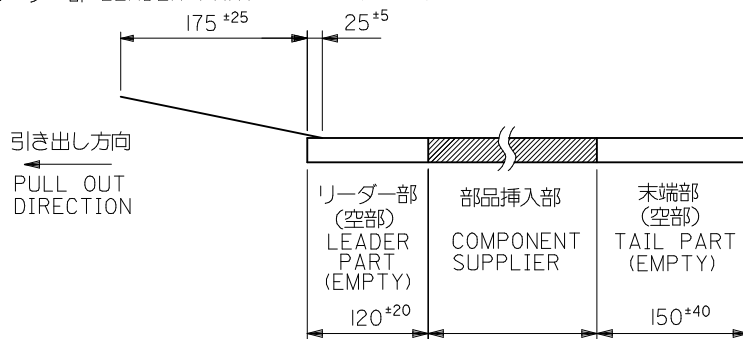
SECT. Z-Z



SECT. W-W

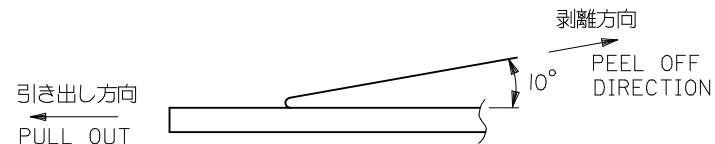
注記 NOTES

- 梱包数量: 1000個/リール NUMBER OF CONNECTORS: 1000PCS/REEL
- リードテープ長さ LEAD TAPE LENGTH
 トップテープ TOP TAPE
 リーダー部 LEADER PART
 部品挿入部 COMPONENT SUPPLIER
 未接着部 NON-BONDED PART
 末端部 (空部) TAIL PART (EMPTY)



- トップテープの剥離強度: (剥離方向は下図参照)
 0.1N ~ 1.3N {10gf ~ 130gf} 尚、本規格値は、出荷時に適用。
 (但し、輸送時に剥離が発生しない事。)

PEELING OFF FORCE OF TOP TAPE : 0.1N ~ 1.3N {10gf ~ 130gf}
 (PEELING DIRECTION AS SHOWN IN FOLLOWING FIG.)
 THIS REQUIREMENT SHOULD BE APPLIED AT SHIPMENT
 PEEL OFF SHOULD NOT BE ALLOWED, DURING TRANSPORTATION



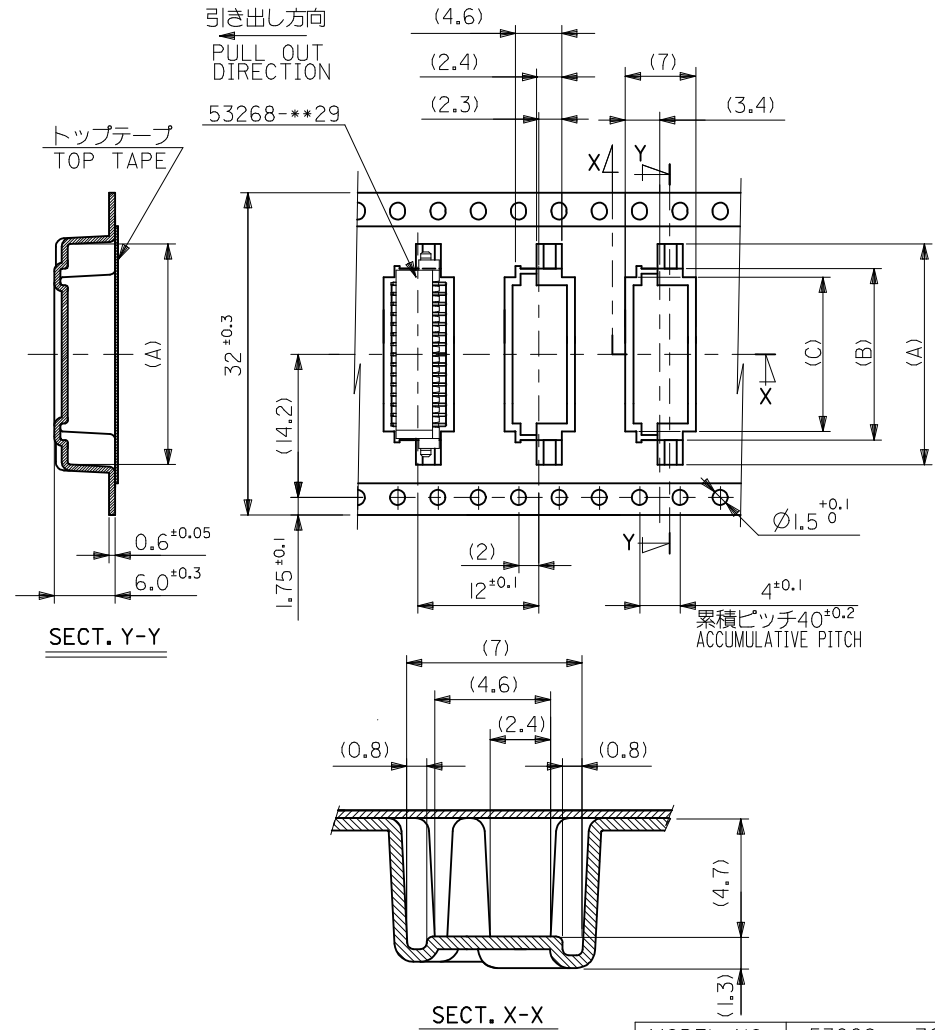
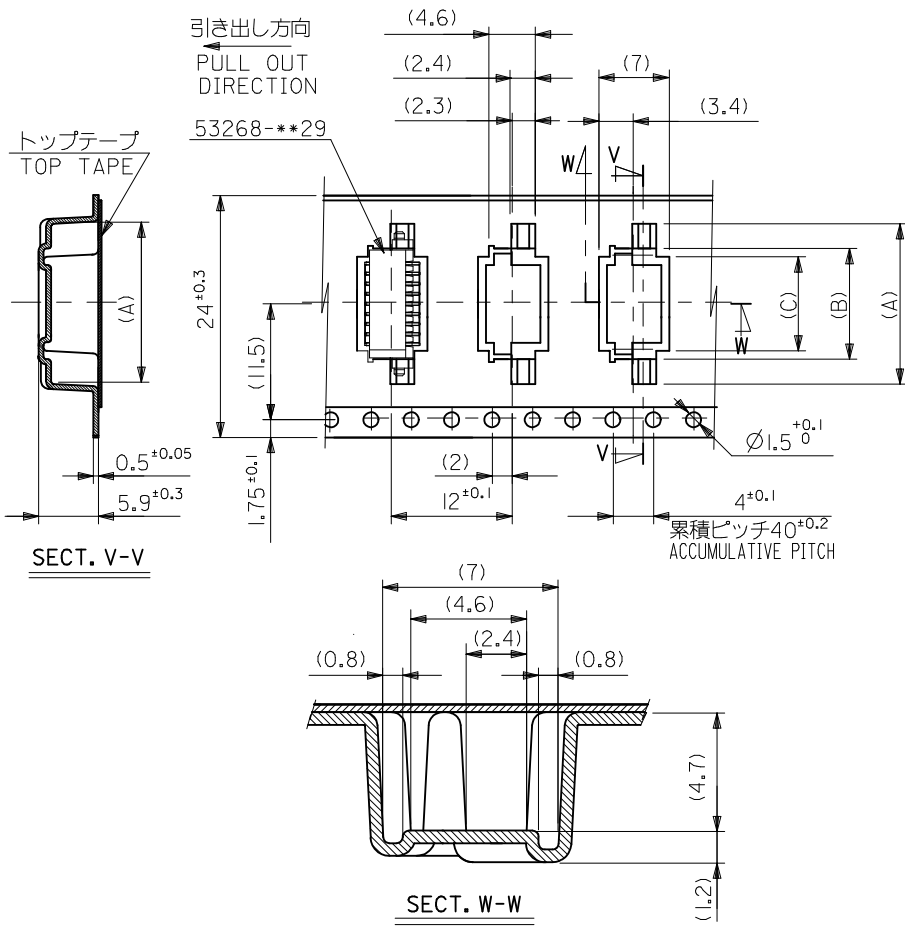
- 材料 DIRECTION MATERIAL
 キャリアテープ: ポリプロピレン (PP) CARRIER TAPE: POLYPROPYLENE
 トップテープ: PET, PE, PEF TOP TAPE: PET, PE, PEF
 リール: ポリスチレン (PS) REEL: POLYSTYRENE (PS)
 <リサイクル材を含む> <RECYCLE MATERIAL CONTAINED>

- 本製品は 53268-**91 の鉛フリー品である。
 THIS PRODUCT IS LEAD FREE OF 53268-**91.

16	21.4	17.4	3.1	5	9.9	53268-0670	6
キャリアテープ幅 CARRIER TAPE WIDTH	E	D	(C)	(B)	(A)	MATERIAL NO.	極数 CIRCUIT

REVISED EC NO: J2014-4769 DRWN: YSATO06 CHKD: TASAKAWA APPR: KMORIKAWA	DESCRIPTION 2014/06/04 2014/06/16 2014/06/16	GENERAL TOLERANCES (UNLESS SPECIFIED)		DIMENSION STYLE MM ONLY	SCALE ---	DESIGN UNITS METRIC	MODEL NO. 53268-**70
		10 UNDER	± ---	DRAWN BY Y. WADA	DATE 2004/05/17	TITLE 1.0 BTB CONN WAFER ASSY RA SMT EMBSTP PKG -LEAD FREE-	THIRD ANGLE PROJECTION
		10 OVER 30 UNDER	± ---	CHECKED BY M. SASAO	DATE 2004/05/17	molex	SHEET NO. 1 OF 2
		30 OVER	± ---	APPROVED BY	DATE		
ANGULAR ± --- °		DRAFT WHERE APPLICABLE MUST REMAIN WITHIN DIMENSIONS		MATERIAL NO. SEE CHART	DOCUMENT NO. SD-53268-010		

THIS DRAWING CONTAINS INFORMATION THAT IS PROPRIETARY TO MOLEX INCORPORATED AND SHOULD NOT BE USED WITHOUT WRITTEN PERMISSION



24	29.4	25.4	9.1	11	15.9	53268-1870	18
キャリアテープ幅 CARRIER TAPE WIDTH	E	D	(C)	(B)	(A)	MATERIAL NO.	極数 CIRCUIT

REVISED
 EC NO: J2014-1769
 DRWN: YSATO06 2014/06/04
 CHKD: TASAKAWA 2014/06/16
 APPR: KMORIKAWA 2014/06/16

DESCRIPTION
 GENERAL TOLERANCES (UNLESS SPECIFIED)
 10 UNDER ± ---
 10 OVER 30 UNDER ± ---
 30 OVER ± ---
 ANGULAR ± --- °
 DRAFT WHERE APPLICABLE MUST REMAIN WITHIN DIMENSIONS

DIMENSION STYLE
 MM ONLY
 DRAWN BY Y. WADA DATE 2004/05/17
 CHECKED BY M. SASAO DATE 2004/05/17
 APPROVED BY DATE
 MATERIAL NO. SEE CHART
 SIZE A3

SCALE ---
 DESIGN UNITS METRIC
 MODEL NO. 53268-***70
 THIRD ANGLE PROJECTION
 TITLE 1.0 BTB CONN WAFER ASSY RA SMT EMBSTP PKG -LEAD FREE-
molex
 DOCUMENT NO. SD-53268-010 SHEET NO. 2 OF 2
 THIS DRAWING CONTAINS INFORMATION THAT IS PROPRIETARY TO MOLEX INCORPORATED AND SHOULD NOT BE USED WITHOUT WRITTEN PERMISSION