

# NBC-PP-G1PGY - DIN rail adapter



1041740

<https://www.phoenixcontact.com/us/products/1041740>

Please be informed that the data shown in this PDF document is generated from our online catalog. Please find the complete data in the user documentation. Our general terms of use for downloads are valid.



DIN rail adapter, design: Headers with shielding, degree of protection: IP20, material: PC-GF10, connection method: Quick connection, without assembled modules

## Product description

Compact DIN rail adapter with optional overall shielding braid, with dust protection cover, one-piece design

## Your advantages

- Compact design

## Commercial data

|                                      |                     |
|--------------------------------------|---------------------|
| Item number                          | 1041740             |
| Packing unit                         | 1 pc                |
| Minimum order quantity               | 1 pc                |
| Sales key                            | AB18                |
| Product key                          | ABNLAA              |
| Catalog page                         | Page 375 (C-2-2019) |
| GTIN                                 | 4055626598666       |
| Weight per piece (including packing) | 29.5 g              |
| Weight per piece (excluding packing) | 29.4 g              |
| Customs tariff number                | 85366990            |
| Country of origin                    | DE                  |

# NBC-PP-G1PGY - DIN rail adapter

1041740

<https://www.phoenixcontact.com/us/products/1041740>

## Technical data

### Notes

|         |                           |
|---------|---------------------------|
| General | without assembled modules |
|---------|---------------------------|

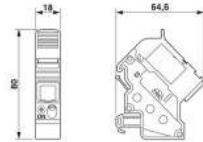
### Product properties

|                        |                               |
|------------------------|-------------------------------|
| Product type           | Patch panel                   |
| Set comprises          | 1100077 NBC-PP-J1PGY-S/R4IDC8 |
| Number of module slots | 1                             |
| Number of slots        | 1                             |

### Electrical properties

|                                     |  |
|-------------------------------------|--|
| Contact resistance per contact pair | $\leq 5 \text{ m}\Omega$                           |
| Contact resistance                  | $\leq 5 \text{ m}\Omega$ (Shield-ground, optional) |

### Dimensions

|                     |  |
|---------------------|--|
| Dimensional drawing |  |
| Width               | 18 mm  |
| Height              | 80 mm  |
| Depth               | 64.6 mm  |

### Material specifications

|  |         |
|--|---------|
| Material                               | PP      |
| Flammability rating according to UL 94 | V0      |
| Contact material                       | CuSn6   |
| Contact surface material               | Tin     |
| Housing material                       | PC-GF10 |

### Environmental and real-life conditions

#### Ambient conditions

|                                 |                  |
|---------------------------------|------------------|
| Degree of protection            | IP20             |
|                                 | IP20             |
| Ambient temperature (operation) | -10 °C ... 60 °C |

### Mounting

|                       |  |
|-----------------------|--|
| Mounting type         | DIN rail mounting                                |
| Assembly instructions | Dust cover not compatible with FO module inserts |
| Connection method     | Quick connection                                 |

# NBC-PP-G1PGY - DIN rail adapter

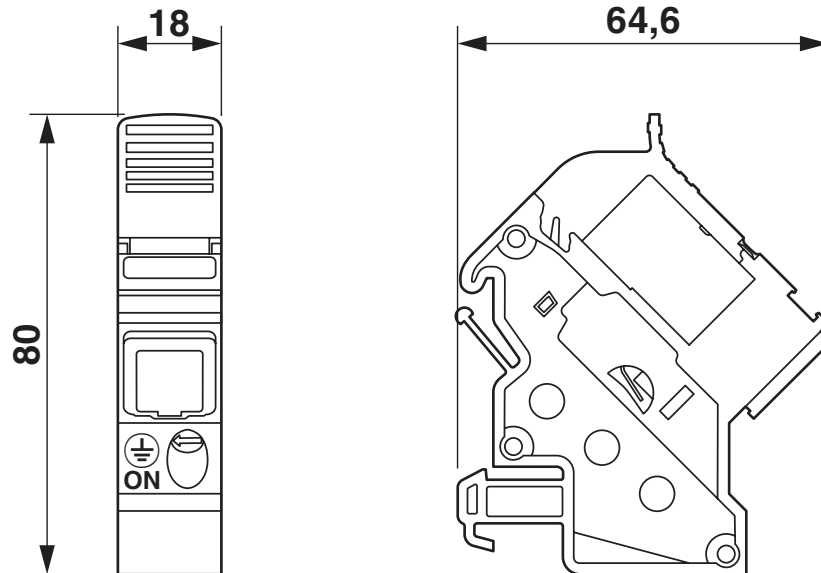
1041740

<https://www.phoenixcontact.com/us/products/1041740>



## Drawings

Dimensional drawing



# NBC-PP-G1PGY - DIN rail adapter



1041740

<https://www.phoenixcontact.com/us/products/1041740>

## Classifications

### ECLASS

|             |          |
|-------------|----------|
| ECLASS-11.0 | 19170112 |
| ECLASS-12.0 | 19170112 |
| ECLASS-13.0 | 19170112 |

### ETIM

|          |          |
|----------|----------|
| ETIM 8.0 | EC002697 |
|----------|----------|

### UNSPSC

|             |          |
|-------------|----------|
| UNSPSC 21.0 | 26121600 |
|-------------|----------|

# NBC-PP-G1PGY - DIN rail adapter



1041740

<https://www.phoenixcontact.com/us/products/1041740>

## Environmental product compliance

|            |   |
|------------|---|
| China RoHS | Environmentally friendly use period: unlimited = EFUP-e |
|            | No hazardous substances above threshold values          |

# NBC-PP-G1PGY - DIN rail adapter



1041740

<https://www.phoenixcontact.com/us/products/1041740>

## Mandatory accessories

### CUC-I-J1ZNI-S/R4IDC8 - RJ45 jack insert

1417274

<https://www.phoenixcontact.com/us/products/1417274>



RJ45 jack insert, design: RJ45, degree of protection: IP20, number of positions: 8, 10 Gbps, CAT6<sub>A</sub>, material: Metal, connection method: IDC connection, connection cross section: AWG 26- 22, cable outlet: straight, Adapter-free design, Ethernet

---

### CUC-I-D1ZNI-S/R4GC8 - RJ45 coupling

1041760

<https://www.phoenixcontact.com/us/products/1041760>



RJ45 coupling, degree of protection: IP20, number of positions: 8, 10 Gbps, CAT6<sub>A</sub>, material: Metal, connection method: Coupling, cable outlet: straight, Adapter-free design, Ethernet

# NBC-PP-G1PGY - DIN rail adapter

1041740

<https://www.phoenixcontact.com/us/products/1041740>



## FOC-I-D1PGN-S/LCGCSM - Fiber optic coupling

1041780

<https://www.phoenixcontact.com/us/products/1041780>



Fiber optic coupling, design: LC, degree of protection: IP20, number of positions: 2, material: Plastic, connection method: Coupling, cable outlet: straight

---

## FOC-I-D1PGR-S/SCGCSM - Fiber optic coupling

1041800

<https://www.phoenixcontact.com/us/products/1041800>



Fiber optic coupling, design: SC, degree of protection: IP20, number of positions: 2, material: Plastic, connection method: Coupling, cable outlet: straight

# NBC-PP-G1PGY - DIN rail adapter

1041740

<https://www.phoenixcontact.com/us/products/1041740>



## FOC-I-D1PGY-S/MPAGC - Fiber optic coupling

1041820

<https://www.phoenixcontact.com/us/products/1041820>



Fiber optic coupling, degree of protection: IP20, number of positions: 2, material: Plastic, connection method: Coupling, cable outlet: straight, Ethernet

---

## FOC-I-D1PGY-S/MPBGC - Fiber optic coupling

1041840

<https://www.phoenixcontact.com/us/products/1041840>



Fiber optic coupling, degree of protection: IP20, number of positions: 2, material: Plastic, connection method: Coupling, cable outlet: straight, Ethernet

---

## Accessories



# NBC-PP-G1PGY - DIN rail adapter

1041740

<https://www.phoenixcontact.com/us/products/1041740>



## CUC-I-J1ZNI-S/R4IDC8 - RJ45 jack insert

1417274

<https://www.phoenixcontact.com/us/products/1417274>



RJ45 jack insert, design: RJ45, degree of protection: IP20, number of positions: 8, 10 Gbps, CAT6<sub>A</sub>, material: Metal, connection method: IDC connection, connection cross section: AWG 26- 22, cable outlet: straight, Adapter-free design, Ethernet

---

## CUC-I-D1ZNI-S/R4GC8 - RJ45 coupling

1041760

<https://www.phoenixcontact.com/us/products/1041760>



RJ45 coupling, degree of protection: IP20, number of positions: 8, 10 Gbps, CAT6<sub>A</sub>, material: Metal, connection method: Coupling, cable outlet: straight, Adapter-free design, Ethernet

# NBC-PP-G1PGY - DIN rail adapter

1041740

<https://www.phoenixcontact.com/us/products/1041740>



## FOC-I-D1PGY-S/MPAGC - Fiber optic coupling

1041820

<https://www.phoenixcontact.com/us/products/1041820>



Fiber optic coupling, degree of protection: IP20, number of positions: 2, material: Plastic, connection method: Coupling, cable outlet: straight, Ethernet

---

## FOC-I-D1PGY-S/MPBGC - Fiber optic coupling

1041840

<https://www.phoenixcontact.com/us/products/1041840>



Fiber optic coupling, degree of protection: IP20, number of positions: 2, material: Plastic, connection method: Coupling, cable outlet: straight, Ethernet

# NBC-PP-G1PGY - DIN rail adapter

1041740

<https://www.phoenixcontact.com/us/products/1041740>



## NBC-PP-P1PGY:10 - Dust protection cover

1041860

<https://www.phoenixcontact.com/us/products/1041860>

Dust protection cover



---

## NBC-PP-F1PWH:10 - Plug Guard Security Frame

1041881

<https://www.phoenixcontact.com/us/products/1041881>

Plug Guard Security Frame



# NBC-PP-G1PGY - DIN rail adapter

1041740

<https://www.phoenixcontact.com/us/products/1041740>



## NBC-PP-A1PRD:10 - Port Guard Security Element

1041900

<https://www.phoenixcontact.com/us/products/1041900>



Port Guard Security Element

---

## UC-TMF 16 - Marker for terminal blocks

0819262

<https://www.phoenixcontact.com/us/products/0819262>



Marker for terminal blocks, Sheet, white, unlabeled, can be labeled with: BLUEMARK ID COLOR, BLUEMARK ID, BLUEMARK CLED, PLOTMARK, CMS-P1-PLOTTER, mounting type: snapped, for terminal block width: 16 mm, lettering field size: 15.45 x 5.1 mm, Number of individual labels: 32

# NBC-PP-G1PGY - DIN rail adapter

1041740

<https://www.phoenixcontact.com/us/products/1041740>



## UC-TMF 16 CUS - Marker for terminal blocks

0824678

<https://www.phoenixcontact.com/us/products/0824678>



Marker for terminal blocks, can be ordered: by sheet, white, labeled according to customer specifications, mounting type: snap into flat marker groove, for terminal block width: 16 mm, lettering field size: 15.45 x 5.1 mm, Number of individual labels: 32

---

## NS 35/ 7,5 PERF 1155MM - DIN rail perforated

1207666

<https://www.phoenixcontact.com/us/products/1207666>



DIN rail perforated, acc. to EN 60715, material: Steel, galvanized, passivated with a thick layer, Standard profile, color: silver

# NBC-PP-G1PGY - DIN rail adapter

1041740

<https://www.phoenixcontact.com/us/products/1041740>



## FL DIN RA - DIN rail adapter

2891053

<https://www.phoenixcontact.com/us/products/2891053>

The FL DIN RA is installed in a standard, 19-inch rack (EIA-310-D, IEC 60297-3-100) to allow DIN rail mounted equipment to be rack mounted.



---

## FOC-I-D1PGN-S/LCGCSM - Fiber optic coupling

1041780

<https://www.phoenixcontact.com/us/products/1041780>

Fiber optic coupling, design: LC, degree of protection: IP20, number of positions: 2, material: Plastic, connection method: Coupling, cable outlet: straight



# NBC-PP-G1PGY - DIN rail adapter

1041740

<https://www.phoenixcontact.com/us/products/1041740>



## FOC-I-D1PGR-S/SCGCSM - Fiber optic coupling

1041800

<https://www.phoenixcontact.com/us/products/1041800>



Fiber optic coupling, design: SC, degree of protection: IP20, number of positions: 2, material: Plastic, connection method: Coupling, cable outlet: straight

---

## UC-TMF 16 VT - Marker for terminal blocks

0822699

<https://www.phoenixcontact.com/us/products/0822699>



Marker for terminal blocks, Sheet, violet, unlabeled, can be labeled with: BLUEMARK ID COLOR, BLUEMARK ID, BLUEMARK CLED, PLOTMARK, CMS-P1-PLOTTER, mounting type: snap in, for terminal block width: 16 mm, lettering field size: 15.45 x 5.1 mm, Number of individual labels: 32

# NBC-PP-G1PGY - DIN rail adapter

1041740

<https://www.phoenixcontact.com/us/products/1041740>



## UC-TMF 16 YE - Marker for terminal blocks

0819259

<https://www.phoenixcontact.com/us/products/0819259>



Marker for terminal blocks, Sheet, yellow, unlabeled, can be labeled with: BLUEMARK ID COLOR, BLUEMARK ID, BLUEMARK CLED, PLOTMARK, CMS-P1-PLOTTER, mounting type: snapped, for terminal block width: 16 mm, lettering field size: 15.45 x 5.1 mm, Number of individual labels: 32

---

## UC-TMF 16 RD CUS - Marker for terminal blocks

0824682

<https://www.phoenixcontact.com/us/products/0824682>



Marker for terminal blocks, can be ordered: by sheet, red, labeled according to customer specifications, mounting type: snap into flat marker groove, for terminal block width: 16 mm, lettering field size: 15.45 x 5.1 mm, Number of individual labels: 32



# NBC-PP-G1PGY - DIN rail adapter

1041740

<https://www.phoenixcontact.com/us/products/1041740>



## UC-TMF 16 GN - Marker for terminal blocks

0817921

<https://www.phoenixcontact.com/us/products/0817921>



Marker for terminal blocks, Sheet, green, unlabeled, can be labeled with: BLUEMARK ID COLOR, BLUEMARK ID, BLUEMARK CLED, PLOTMARK, CMS-P1-PLOTTER, mounting type: snapped, for terminal block width: 16 mm, lettering field size: 15.45 x 5.1 mm, Number of individual labels: 32

---

## UC-TMF 16 BU CUS - Marker for terminal blocks

0824679

<https://www.phoenixcontact.com/us/products/0824679>



Marker for terminal blocks, can be ordered: by sheet, blue, labeled according to customer specifications, mounting type: snap into flat marker groove, for terminal block width: 16 mm, lettering field size: 15.45 x 5.1 mm, Number of individual labels: 32

# NBC-PP-G1PGY - DIN rail adapter

1041740

<https://www.phoenixcontact.com/us/products/1041740>



## UC-TMF 16 OG - Marker for terminal blocks

0817811

<https://www.phoenixcontact.com/us/products/0817811>



Marker for terminal blocks, Sheet, orange, unlabeled, can be labeled with: BLUEMARK ID COLOR, BLUEMARK ID, BLUEMARK CLED, PLOTMARK, CMS-P1-PLOTTER, mounting type: snapped, for terminal block width: 16 mm, lettering field size: 15.45 x 5.1 mm, Number of individual labels: 32

---

## UC-TMF 16 OG CUS - Marker for terminal blocks

0824681

<https://www.phoenixcontact.com/us/products/0824681>



Marker for terminal blocks, can be ordered: by sheet, orange, labeled according to customer specifications, mounting type: snap into flat marker groove, for terminal block width: 16 mm, lettering field size: 15.45 x 5.1 mm, Number of individual labels: 32

# NBC-PP-G1PGY - DIN rail adapter

1041740

<https://www.phoenixcontact.com/us/products/1041740>



## UC-TMF 16 VT CUS - Marker for terminal blocks

0824683

<https://www.phoenixcontact.com/us/products/0824683>



Marker for terminal blocks, can be ordered: by sheet, violet, labeled according to customer specifications, mounting type: snap into flat marker groove, for terminal block width: 16 mm, lettering field size: 15.45 x 5.1 mm, Number of individual labels: 32

---

## UC-TMF 16 BU - Marker for terminal blocks

0817905

<https://www.phoenixcontact.com/us/products/0817905>



Marker for terminal blocks, Sheet, blue, unlabeled, can be labeled with: BLUEMARK ID COLOR, BLUEMARK ID, BLUEMARK CLED, PLOTMARK, CMS-P1-PLOTTER, mounting type: snapped, for terminal block width: 16 mm, lettering field size: 15.45 x 5.1 mm, Number of individual labels: 32

# NBC-PP-G1PGY - DIN rail adapter

1041740

<https://www.phoenixcontact.com/us/products/1041740>



## UC-TMF 16 YE CUS - Marker for terminal blocks

0824684

<https://www.phoenixcontact.com/us/products/0824684>



Marker for terminal blocks, can be ordered: by sheet, yellow, labeled according to customer specifications, mounting type: snap into flat marker groove, for terminal block width: 16 mm, lettering field size: 15.45 x 5.1 mm, Number of individual labels: 32

---

## UC-TMF 16 GN CUS - Marker for terminal blocks

0824680

<https://www.phoenixcontact.com/us/products/0824680>



Marker for terminal blocks, can be ordered: by sheet, green, labeled according to customer specifications, mounting type: snap into flat marker groove, for terminal block width: 16 mm, lettering field size: 15.45 x 5.1 mm, Number of individual labels: 32

# NBC-PP-G1PGY - DIN rail adapter

1041740

<https://www.phoenixcontact.com/us/products/1041740>



## UC-TMF 16 RD - Marker for terminal blocks

0817824

<https://www.phoenixcontact.com/us/products/0817824>



Marker for terminal blocks, Sheet, red, unlabeled, can be labeled with: BLUEMARK ID COLOR, BLUEMARK ID, BLUEMARK CLED, PLOTMARK, CMS-P1-PLOTTER, mounting type: snapped, for terminal block width: 16 mm, lettering field size: 15.45 x 5.1 mm, Number of individual labels: 32

---

Phoenix Contact 2023 © - all rights reserved

<https://www.phoenixcontact.com>

Phoenix Contact USA  
586 Fulling Mill Road  
Middletown, PA 17057, United States  
(+717) 944-1300  
[info@phoenixcon.com](mailto:info@phoenixcon.com)