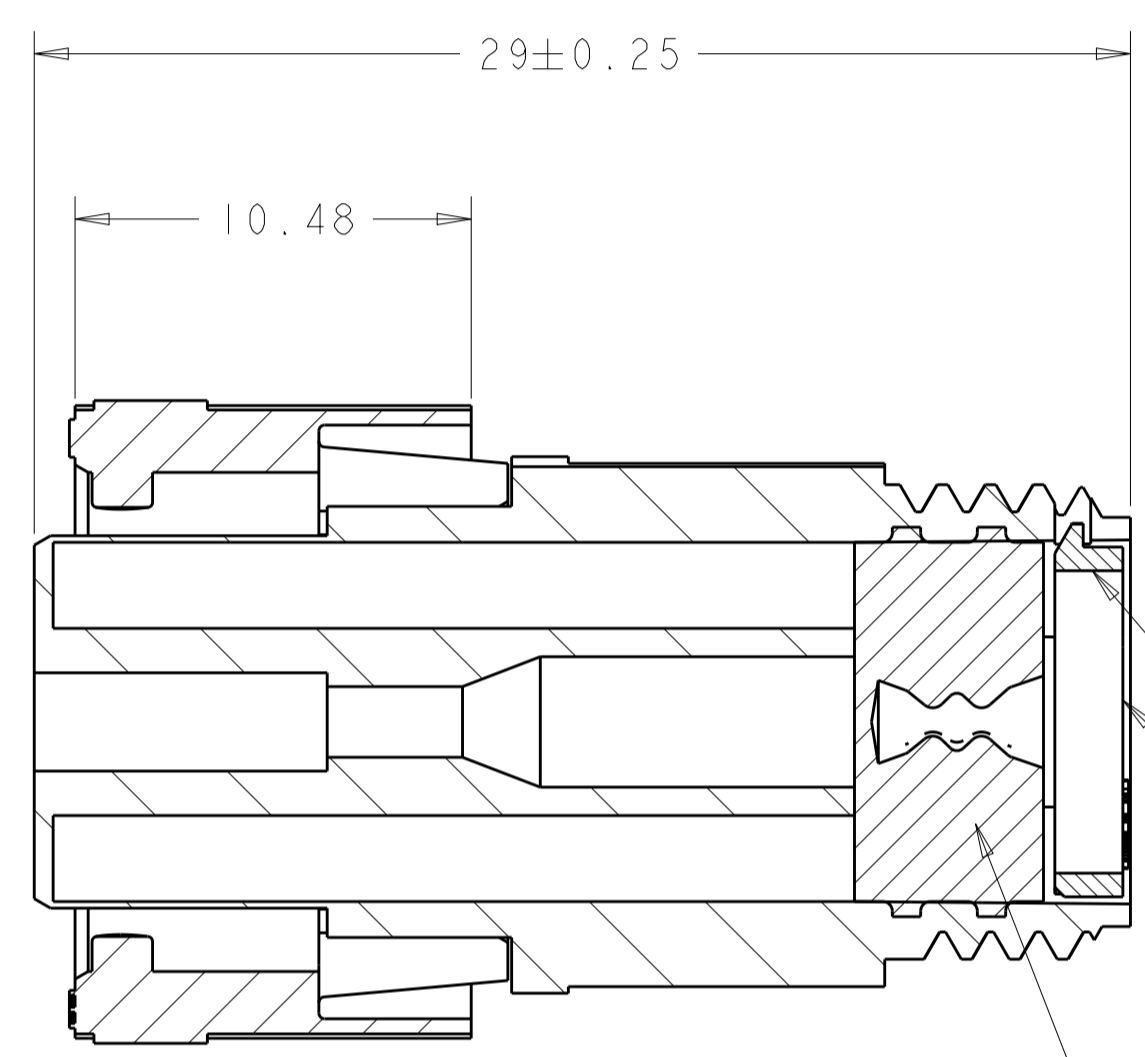
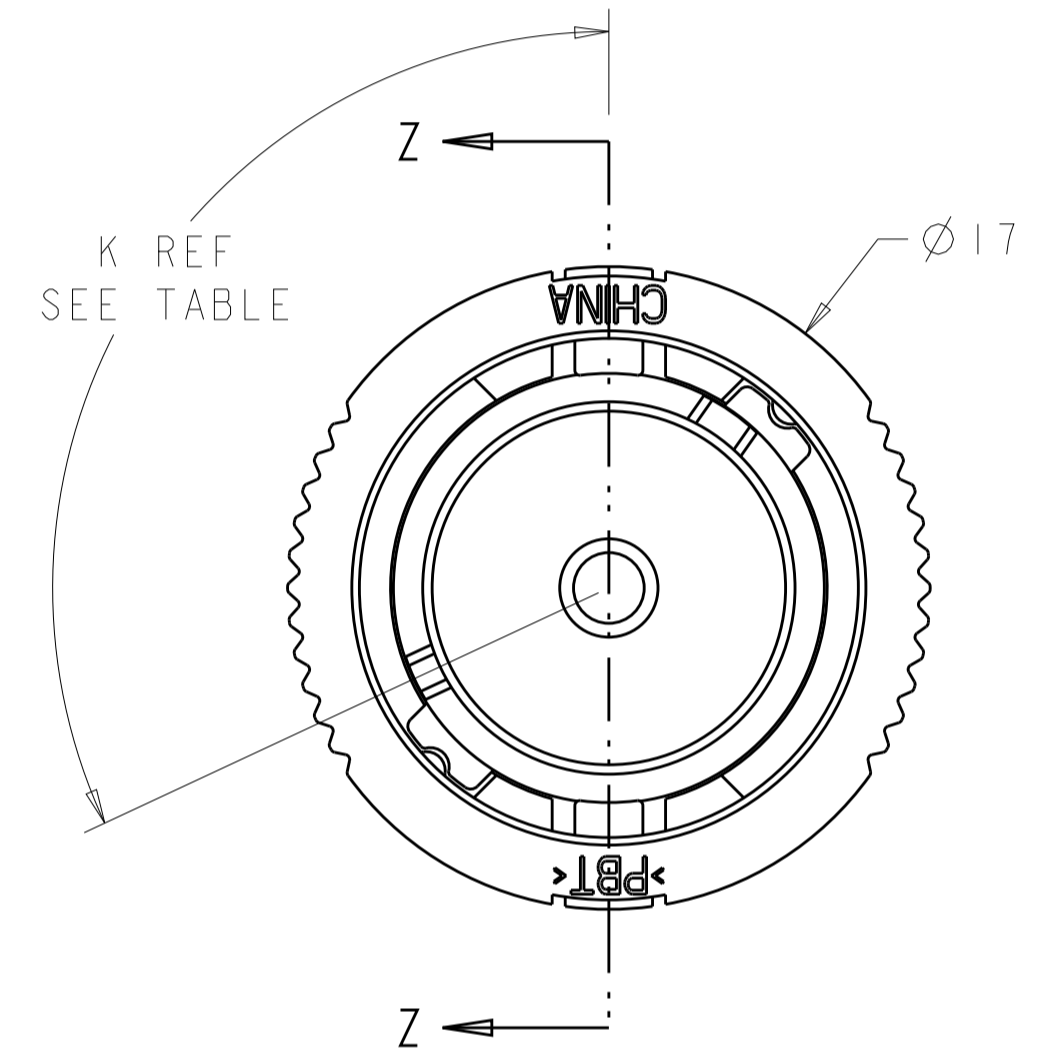


REVISIONS					
P.	LTN	DESCRIPTION	DATE	DMN	APVD
B2		REVISED PER ECO-15-010004	11JUL2015	NK	MZ
C		REVISED PER ECO-16-018352	24MAR2017	RS	MZ

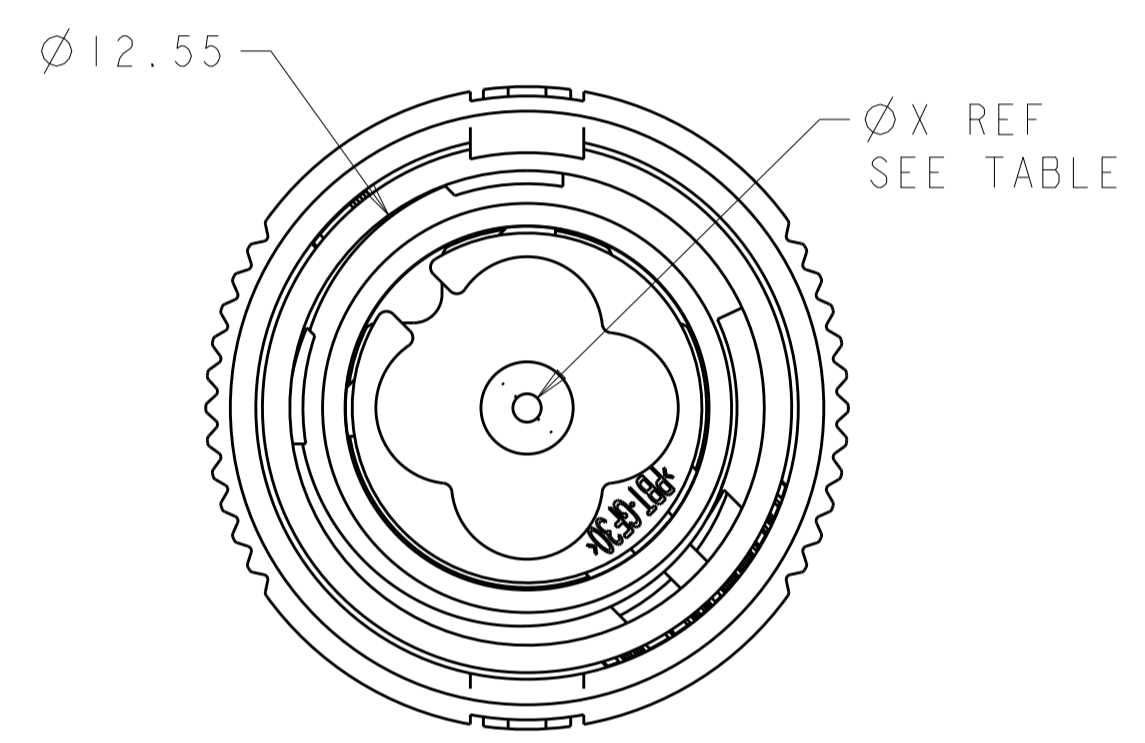
ALIGNMENT DOT, COLOR-WHITE

POSITIVE LOCK INDICATOR

ALIGNMENT INDICATOR SLOTS

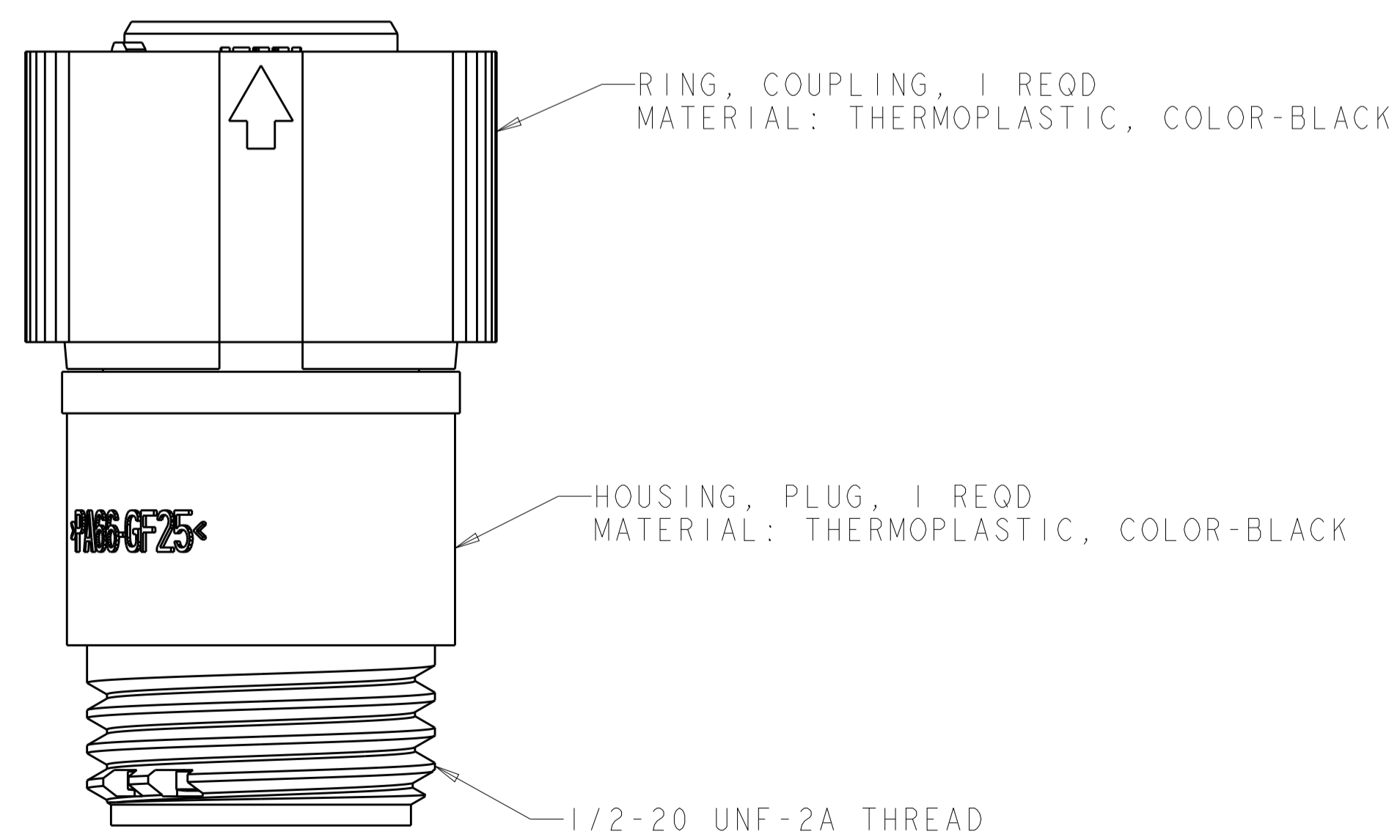


SECTION Z-Z



RETAINER, SEAL, 1 REQD  
 MATERIAL: THERMOPLASTIC, COLOR-BLACK

SEAL, WIRE ENTRY, 1 REQD  
 MATERIAL: ELASTOMER, COLOR-SEE TABLE



RING, COUPLING, 1 REQD  
 MATERIAL: THERMOPLASTIC, COLOR-BLACK

HOUSING, PLUG, 1 REQD  
 MATERIAL: THERMOPLASTIC, COLOR-BLACK

OBSOLETE	YELLOW	Ø0.75	130°	1445536-04
	NATURAL	Ø1.5	115°	1445536-03
OBSOLETE	NATURAL	Ø1.5	130°	1445536-02
	YELLOW	Ø0.75	115°	1445536-01
	SEAL, WIRE ENTRY COLOR	ØX REF	K REF	PART NUMBER

THIS DRAWING IS A CONTROLLED DOCUMENT.		DMN: S. WIEST 07MAY2001	TE Connectivity
DIMENSIONS: mm		CHK: G. DOUTY 07MAY2001	
TOLERANCES UNLESS OTHERWISE SPECIFIED:		APVD: H. WAKEEM 12JUN2003	NAME: ASSEMBLY, PLUG, SIZE 7, 1 POSITION, SEALED MINI CPC
0 PLC ±0.5	1 PLC ±0.5	PRODUCT SPEC	SIZE: CAGE CODE DRAWING NO
2 PLC ±0.13	3 PLC ±0.013	APPLICATION SPEC	RESTRICTED TO
4 PLC ±0.001	ANGLES ±0.001	FINISH	A100779 ©=1445536
MATERIAL: SEE CALLOUT	FINISH: SEE CALLOUT	WEIGHT: -	SCALE: 5:1 SHEET 1 OF 1 REV C
CUSTOMER DRAWING			