

HDC RockStar® HighPower Series 250/550A

NEW



Weidmuller's new line of HDC RockStar HighPower Connectors is an innovative and maintenance-free pluggable solution for power transmission. The modular design creates a flexible construction process that allows multiple contact and shielding options to be produced for a wide range of power applications.

- Modular design offers application flexibility in one platform
- 1, 2, 3 and 4 pole configurable options
- Plug connector meets DIN EN 61373 Cat 2 requirement
- Electrical Rating: 4000V/3 -4/0AWG/250A & 550A
- Stainless Steel mounting hardware with screw-down locking mechanism
- 100% Submersible

Weidmuller, Canada

10 Spy Court
Markham, Ontario L3R 5H6
Telephone: (800) 268-4080
Facsimile: (877) 300-5635
Email: info1@weidmuller.ca
Website: www.weidmuller.ca

Weidmuller, Mexico

Bvd. Hermanos Serdán 698
Col. San Rafael Oriente
Puebla, Puebla, Mexico
C.P. 72029
Telephone: 01 222 2686267
Facsimile: 01 222 2686219
Email: clientes@weidmuller.com.mx
Website: www.weidmuller.com.mx

Weidmuller, United States

821 Southlake Blvd.
Richmond, Virginia 23236
Telephone: (800) 849-9343
Facsimile: (804) 379-2593
Email: info@weidmuller.com
Website: www.weidmuller.com

Weidmüller 



Technical data	Series HighPower 250A	Series HighPower 550A
Standards	DIN EN 50124-1 based DIN EN 61984 DIN EN 50155 DIN EN 61373 KAT 2	
No. of Poles	1-, 2-, 3-, 4- poles	1-, 2-, 3- poles
Wire connection	Crimp	Crimp
Rated Current	250A	550A
Rated insulation voltage (Maximum operating voltage)		
AC Conductor - Conductor	4000V (4800V)*	4000V (4800V)*
AC Conductor - grounded housing	3000V	3000V
DC Conductor - Conductor	4000V (4800V)*	4000V (4800V)*
DC Conductor - grounded housing	3000V	3000V
Rated impulse voltage		
Conductor - Conductor	25 kV	25 kV
Conductor - grounded housing	15 kV	15 kV
Overtoltage category	OV 3	OV 3
pollution degree	PD 2 (PD 3) ¹	PD 2 (PD 3) ¹
Material		
Isolation material	PA66 glass fiber-reinforced	PA66 glass fiber-reinforced
Copper alloy	Copper alloy, passivated silver	Copper alloy, passivated silver
Flammability		
to UL94	V-0	V-0
to NFF 16-101 / NFF 16-102	I3 F2	I3 F2
DIN 5010 Part 2	V-0	V-0
Insulation resistance	10 ¹⁰ Ω	10 ¹⁰ Ω
Temperature	-50° C ... +120° C	-50° C ... +120° C

Note:

*4800V depending on the application

¹in the HDC housing the contacts are protected for additional pollution and condensation, the entire connector can be used with degree of PD 3

Technical data	Accessories
Material	
Mounting frame	Stainless Steel
Shield lever	Steel, zinc
Finger safe protection	PA66
Surface	
Mounting frame	Natural
Shield lever	Natural
Finger safe protection	red

Technical data	Housings
Safety category DIN EN 60529	IP68 in the locked housing
Color	RAL 9005 (black)
Surface Treatment	powder - Surtec
Locking element	
Screw	M8
Material	Stainless Steel
Tightening Torque	11 Nm
Gasket	silicon rubber
Temperature	-50° C ... +120° C
Material	
Housing	Aluminum die casting, corrosion resistant
Surface mounting frame	Stainless Steel

Technical data	Cable glands
Material	
Cable glands	nickel-plated brass or stainless steel
Sealing	TPE
Temperature	-40° C ... +130° C
Protection class	IP68

Crimp - contact (250A)

Male

Clamping range	Designation	Part No.
25°	HDC HP 250 M 25	1079690000
35°	HDC HP 250 M 35	1079680000
50°	HDC HP 250 M 50	1119080000
50° (Contact Isolation)	HDC HP 250 M 50 PE	1220850000
70°	HDC HP 250 M 70	1119090000
95°	HDC HP 250 M 95	1119100000

Female

Clamping range	Designation	Part No.
25°	HDC HP 250 F 25	1079720000
35°	HDC HP 250 F 35	1079730000
50°	HDC HP 250 F 50	1079740000
50° (Contact Isolation)	HDC HP 250 F 50 PE	1220840000
70°	HDC HP 250 F 70	1079750000
95°	HDC HP 250 F 95	1079770000

Crimp - contact (550A)

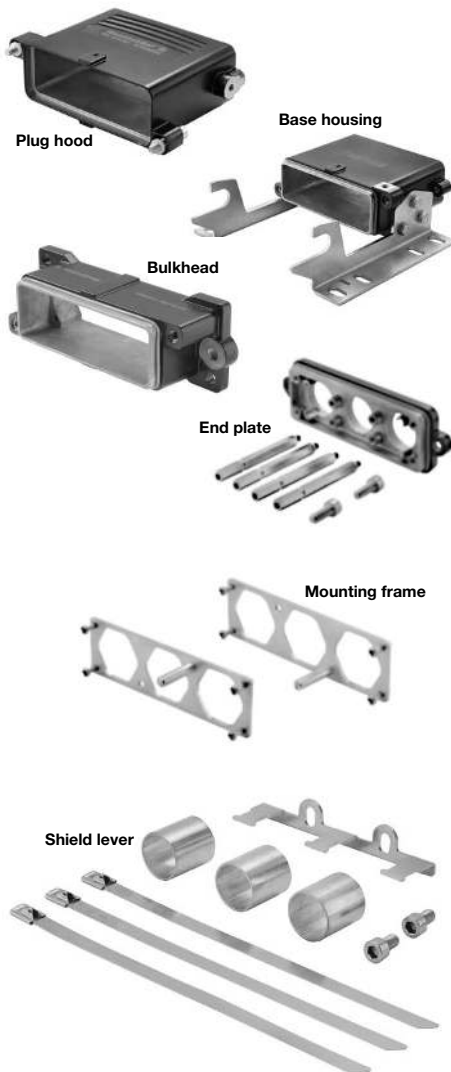
Male

Clamping range	Designation	Part No.
50°	HDC HP 550 M 50	1157800000
95°	HDC HP 550 M 95	1079790000
120°	HDC HP 550 M 120	1079780000
150°	HDC HP 550 M 150	1191100000
185°	HDC HP 550 M 185	1120580000
240°	HDC HP 550 M 240	1125900000

Female

Clamping range	Designation	Part No.
50°	HDC HP 550 F 50	1177100000
95°	HDC HP 550 F 95	1079610000
120°	HDC HP 550 F 120	1079620000
150°	HDC HP 550 F 150	1079630000
185°	HDC HP 550 F 185	1079640000
240°	HDC HP 550 F 240	1120600000

Note: In the version described here, the crimp contacts can be used for crimp connections with flexible, stranded and finely insulated copper wires (according to DIN 48201 Part 1 and DIN57 2905 VDE 0295) or with crimping inserts (according to DIN 48063 Part 1, 3 and 4). We would be glad to customize the crimp contact to fit your requirements.



Housings (250A and 550A)

Type	Designation	Part No.
Plug hood housing	HDC IP68 HP 24B TO	1079930000
Base housing	HDC IP68 HP 24B AS S	1079920000
Bulkhead housing	HDC IP68 HP 24B A	1120040000
End plate without thread	HDC IP68 HP 24B MD	1119950000
End plate 3 threads M40	HDC IP68 HP 24B MD 3M40	1119970000
End plate 3 threads M32	HDC IP68 HP 24B MD 3M32	1119980000
End plate 3 threads M25	HDC IP68 HP 24B MD 3M25	1079910000
End plate 4 threads M25*	HDC IP68 24B MD 4M25 T1	1160450000
End plate 2 threads M40	HDC IP68 HP 24B MD 2M40	1119990000
End plate 2 threads M32	HDC IP68 HP 24B MD 2M32	1120000000
End plate 2 threads M25	HDC IP68 HP 24B MD 2M25	1120010000
End plate 4 threads M25*	HDC IP68 24B MD 4M25 T2	1220860000

* Can only be used with 250A contacts

Accessories (250A)

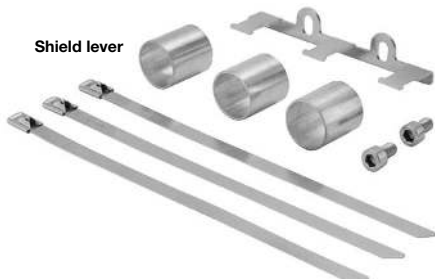
Type	Designation	Part No.
Mounting frame BG 3 for 1 HP250 Female	HDC 06B HP250 MPL1 TYP1	1103680000
Mounting frame BG 3 for 1 HP250 Male	HDC 06B HP250 MPL1 TYP2	1103730000
Mounting frame BG 8 for 2 HP250 Female	HDC 24B HP250 MPL2 TYP1	1103690000
Mounting frame BG 8 for 2 HP250 Male	HDC 24B HP250 MPL2 TYP2	1103740000
Mounting frame BG 8 for 3 HP250 Female	HDC 24B HP250 MPL3 TYP1	1079640000
Mounting frame BG 8 for 3 HP250 Male	HDC 24B HP250 MPL3 TYP2	1103750000
Mounting frame BG 8 for 3 HP250 Female + PE	HDC 24B HP250 MPL4PE T1	1212890000
Mounting frame BG 8 for 3 HP250 Male + PE	HDC 24B HP250 MPL4PE T2	1212910000
Mounting frame BG 8 for 4 HP250 Female	HDC 24B HP250 MPL4 TYP1	1160430000
Mounting frame BG 8 for 4 HP250 Male	HDC 24B HP250 MPL4 TYP2	1160440000
Shield Lever Size 8 for 2 x 25°	HDC 24B SL 2X25	1160410000
Shield Lever Size 8 for 3 x 25°	HDC 24B SL 3X25	1160390000
Shield Lever Size 8 for 4 X 25°	HDC 24B SL 4X25 T1	1220770000
Shield Lever Size 8 for 4 X 25°	HDC 24B SL 4X25 T2	1220820000
Shield Lever Size 8 for 2 X 35°	HDC 24B SL 2X35	1232740000
Shield Lever Size 8 for 3 X 35°	HDC 24B SL 3X35	1232720000
Shield Lever Size 8 for 4 X 35°	HDC 24B SL 4X35 T1	1232770000
Shield Lever Size 8 for 4 X 35°	HDC 24B SL 4X35 T2	1232790000
Shield Lever Size 8 for 2 x 50°	HDC 24B SL 2X50	1160420000
Shield Lever Size 8 for 3 x 50°	HDC 24B SL 3X50	1160400000
Shield Lever Size 8 for 4 X 50°	HDC 24B SL 4X50 T1	1220760000
Shield Lever Size 8 for 4 X 50°	HDC 24B SL 4X50 T2	1220810000
Shield Lever Size 8 for 2 X 70°	HDC 24B SL 2X70	1232750000
Shield Lever Size 8 for 3 x 70°	HDC 24B SL 3X70	1232730000
Shield Lever Size 8 for 4 X 70°	HDC 24B SL 4X70 T1	1232760000
Shield Lever Size 8 for 4 x 70°	HDC 24B SL 4X70 T2	1232780000
Shield Lever Size 8 for 2 X 95°	HDC 24B SL 2X95	1119900000
Shield Lever Size 8 for 3 x 95°	HDC 24B SL 3X95	1079650000
Shield Lever Size 8 for 4 X 95°	HDC 24B SL 4X95 T1	1220750000
Shield Lever Size 8 for 4 X 95°	HDC 24B SL 4X95 T2	1220790000

WSM - Metal Cable Tie tool Part No. 774470000

Mounting frame



Shield lever



Finger protection



Cable gland



MTR 160



MTR 300



Accessories (550A)

Type	Designation	Part No.
Mounting frame BG 8 for 2 HP 550 Female	HDC 24B HP550 MPL2 TYP1	1130710000
Mounting frame BG 8 for 2 HP 550 Male	HDC 24B HP550 MPL2 TYP2	1130770000
Mounting frame BG 8 for 3 HP 550 Female	HDC 24B HP550 MPL3 TYP1	1130720000
Mounting frame BG 8 for 3 HP 550 Male	HDC 24B HP550 MPL3 TYP2	1130780000
Shield Lever Size 8 for 3 x 95 ²	HDC HP 24B SL 3X95	1079650000
Shield Lever Size 8 for 3 x 120 ²	HDC HP 24B SL 3X120	1079650000
Shield Lever Size 8 for 3 x 150 ²	HDC 24B SL 3X150	1119880000
Shield Lever Size 8 for 3 x 185 ²	HDC 24B SL 3X185	1119880000
Shield Lever Size 8 for 3 x 240 ²	HDC 24B SL 3X240	1119890000
Shield Lever Size 8 for 2 x 95 ²	HDC 24B SL 2X95	1119900000
Shield Lever Size 8 for 2 x 120 ²	HDC 24B SL 2X150	1119900000
Shield Lever Size 8 for 2 x 150 ²	HDC 24B SL 2X150	1119910000
Shield Lever Size 8 for 2 x 185 ²	HDC 24B SL 2X185	1119910000
Shield Lever Size 8 for 2 x 240 ²	HDC 24B SL 2X240	1119920000

WSM - Metal Cable Tie tool Part No. 774470000

Accessories (250A & 550A)

Type	Designation	Part No.
finger protection set HP 250	HDC HP 250 SHOCKPROTEC	1120130000
finger protection set HP 550	HDC HP 550 SHOCKPROTEC	1120140000
Cable Gland M25, Stainless Steel, clamping range 11-20	VGM25-SS68 11-20 BG	1193570000
Cable Gland M32, Stainless Steel, clamping range 15-25	VGM32-SS68 15-25 BG	1193580000
Cable Gland M40, Stainless Steel, clamping range 20-32	VGM40-SS68 20-32 BG	1193590000
Cable Gland M25, Brass, nickel - plated, clamping range 11-20	VGM25-MS68 11-20 BG	1193600000
Cable Gland M32, Brass, nickel - plated, clamping range 15-25	VGM25-MS68 11-20 BG	1193610000
Cable Gland M40, Brass, nickel - plated, clamping range 20-32	VGM40-MS68 20-32 BG	1193620000

Crimping Tool

Type	Designation	Part No.
Crimping tool 10 ... 240mm ²	MTR 160	9017250000
Crimp 25 ² , Crimp width 7.0 mm	MTR 160 25HEX	9020920000
Crimp 35 ² , Crimp width 7.0 mm	MTR 160 35HEX, Die Set*	9020930000
Crimp 50 ² , Crimp width 7.0 mm	MTR 160 50HEX	9020940000
Crimp 70 ² , Crimp width 7.0 mm	MTR 160 70HEX	9020950000
Crimp 95 ² , Crimp width 7.0 mm	MTR 160 95HEX	9020960000
Crimp 120 ² , Crimp width 7.0 mm	MTR 160 120HEX	9020970000
Crimp 150 ² , Crimp width 7.0 mm	MTR 160 120HEX	9020980000
Crimp 120 ² , Crimp width 7.0 mm	MTR 160 120HEX	9020990000
Crimp 120 ² , Crimp width 7.0 mm	MTR 160 120HEX	9021000000
Crimping tool 10 ... 300 mm ²	MTR 300	9021390000
Crimp 25 ² , Crimp width 7.0 mm	MTR 300 25HEX	9021450000
Crimp 35 ² , Crimp width 7.0 mm	MTR 300 35HEX, Die Set*	9021460000
Crimp 50 ² , Crimp width 7.0 mm	MTR 300 50HEX	9021470000
Crimp 70 ² , Crimp width 7.0 mm	MTR 300 70HEX	9021480000
Crimp 95 ² , Crimp width 7.0 mm	MTR 300 95HEX	9022290000
Crimp 120 ² , Crimp width 7.0 mm	MTR 300 120HEX	9022300000
Crimp 150 ² , Crimp width 7.0 mm	MTR 300 120HEX	9022310000
Crimp 120 ² , Crimp width 7.0 mm	MTR 300 120HEX	9022320000
Crimp 120 ² , Crimp width 7.0 mm	MTR 300 120HEX	9022330000

* Die Sets designed for copper tube cable lugs and connectors to DIN 46235.