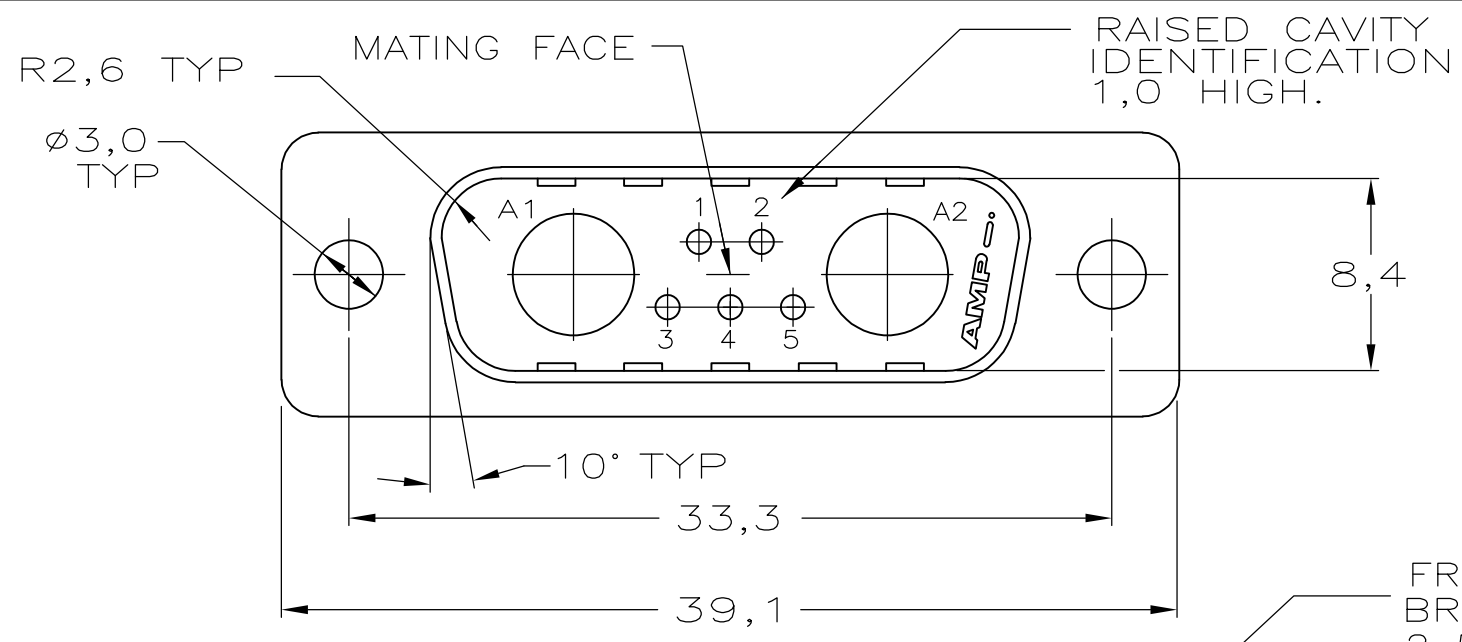


THIS DRAWING IS UNPUBLISHED. RELEASED FOR PUBLICATION  
 © COPYRIGHT - By - ALL RIGHTS RESERVED.

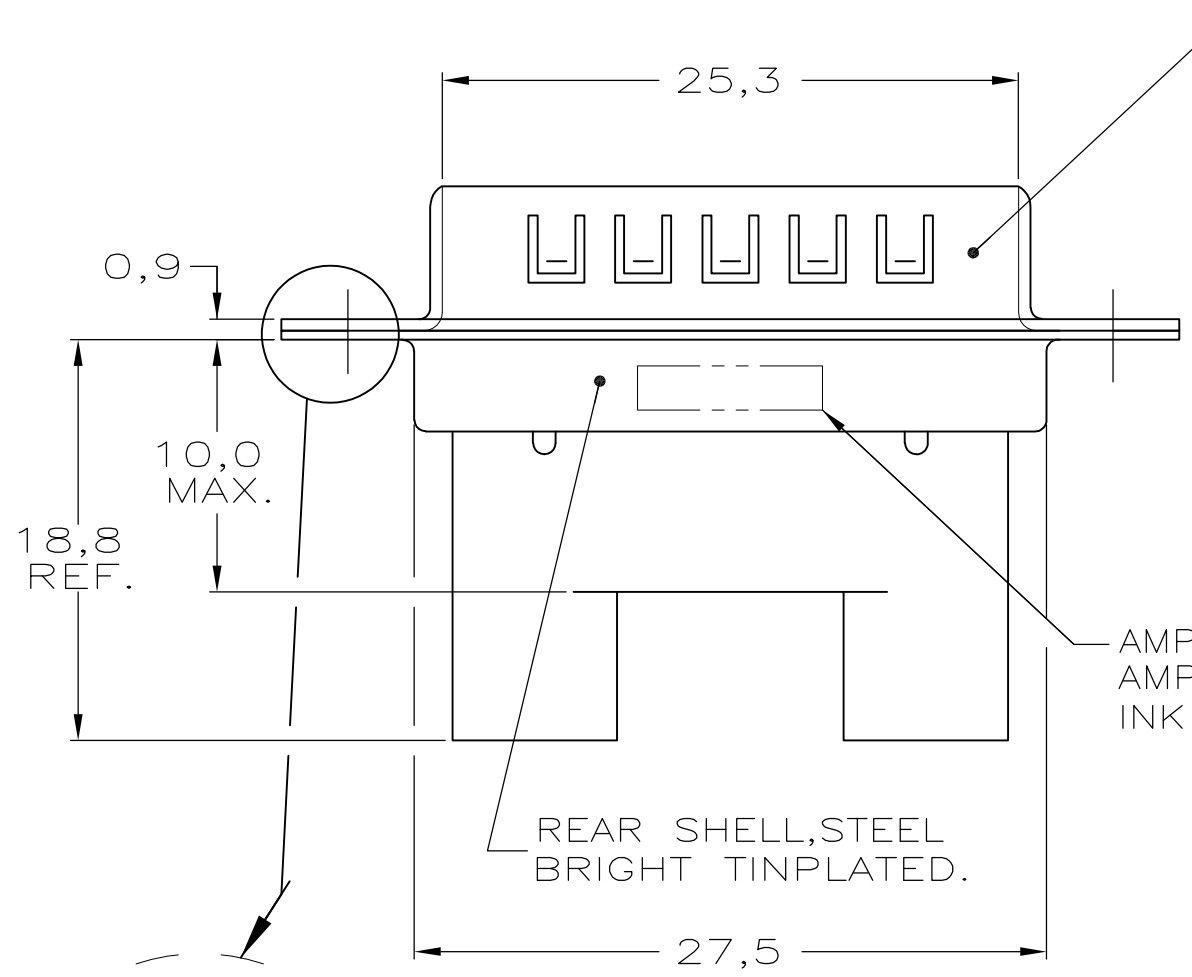
LOC	DIST	REVISIONS					
GP	00	P	LTR	DESCRIPTION	DATE	DWN	APVD
		D		REVISED PER ECO-16-000387	04FEB2016	AP	DG



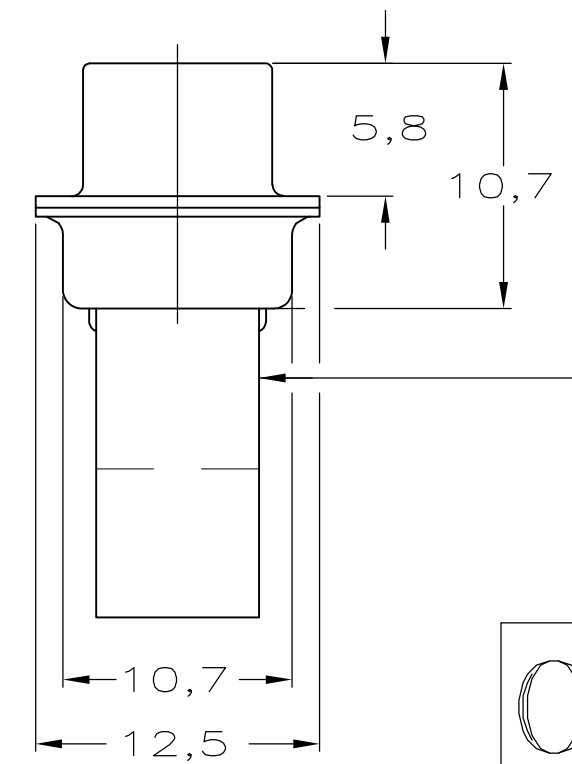
- THIS PLUG ACCEPTS SIZE 20 SIGNAL PIN-CONTACTS AND SIZE 8 POWER/COAX PIN-CONTACTS.
- FOLLOWING INSERTION/REMOVAL TOOLS ARE RECOMMENDED FOR USE WITH THESE CONNECTORS,  
 SIGNAL CONTACTS:  

32-28AWG/28-24AWG CONT's	24-20AWG CONTACTS
91067-3 INSERTION/REMOVAL	91067-2 INSERTION/REMOVAL
726363-1 INSERTION ONLY	726363-1 INSERTION ONLY
	726364-1 REMOVAL ONLY

 POWER/COAX CONTACTS : 58095-1 REMOVAL ONLY



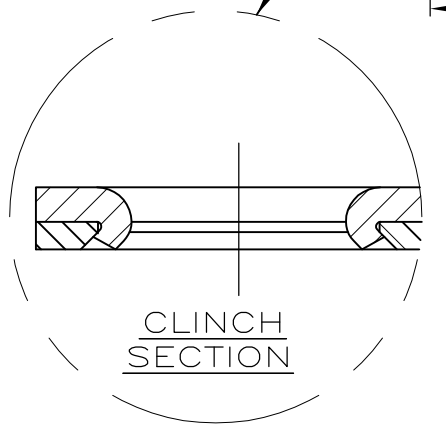
FRONT SHELL STEEL,  
 BRIGHT TINPLATED WITH  
 2x5 GROUNDING FINGERS ON 3,8 PITCH;



INSERTS NYLON  
 GLASS-FILLED  
 SELF-EXTINGUISHING  
 COLOR: BLACK

AMP DATE CODE  
 AMP PART NO.  
 INK STAMPED

**OBSOLETE**



THIS DRAWING IS A CONTROLLED DOCUMENT.		DWN L. v. d. HEYDEN 11SEP1989	<b>STE</b> TE Connectivity	
DIMENSIONS: mm		CHK C. v. TILBURG 11SEP1989		
TOLERANCES UNLESS OTHERWISE SPECIFIED:		APVD L. v. SOEST 11SEP1989	NAME HDP-20 PLUG CONNECTOR, 7C2, MIXED, HIGH PROFILE	
0 PLC ± -	1 PLC ± -	PRODUCT SPEC -	SIZE A3	CAGE CODE 00779
2 PLC ± -	3 PLC ± -	APPLICATION SPEC -	DRAWING NO C-216595	RESTRICTED TO -
4 PLC ± -	ANGLES ± -	WEIGHT -	SCALE NTS SHEET 1 OF 1 REV D	
MATERIAL -	FINISH -	CUSTOMER DRAWING		