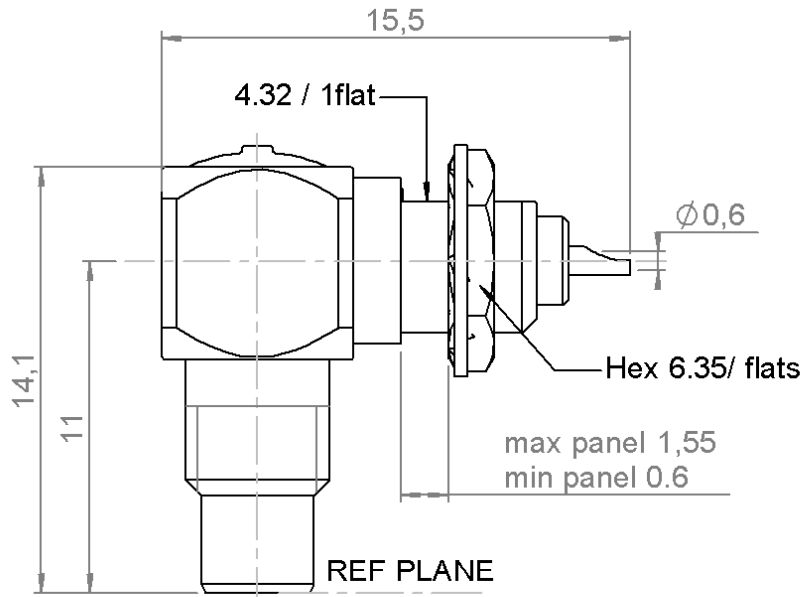


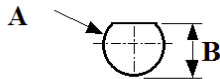
MALE BULKHEAD RECEPTACLE
FRONT MOUNT - SOLDER POT

R112.670.000

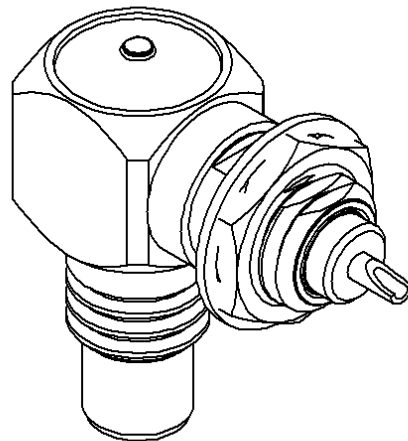
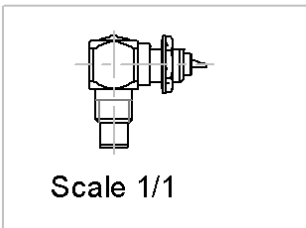
Series : SMC



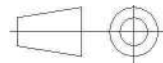
PANEL CUT OUT



mm		
	Maxi	mini
A	5	4.9
B	4.6	4.45



All dimensions are in mm.



COMPONENTS	MATERIALS	PLATING (µm)
BODY	BRASS	GOLD 0.2 OVER NICKEL 2
CENTER CONTACT	BRASS	GOLD 1.3 OVER NICKEL2
OUTER CONTACT	-	-
INSULATOR	PTFE	-
GASKET	-	-
OTHERS PARTS	BRASS	GOLD 0.2 OVER NICKEL 2
-	-	-
-	-	-

Issue : 1242 B

In the effort to improve our products, we reserve the right to make changes judged to be necessary.



MALE BULKHEAD RECEPTACLE
FRONT MOUNT - SOLDER POT

R112.670.000

Series : SMC

PACKAGING

SPECIFICATION

Standard	Unit	Other
	'W' option	Contact us

ELECTRICAL CHARACTERISTICS

ENVIRONMENTAL

Impedance		50 Ω
Frequency		0-10 GHz
VSWR	1.05* +	0,0080 x F(GHz) Maxi
Insertion loss		0.03* √F(GHz) dB Maxi
RF leakage	- (62 - F(GHz)) dB Maxi
Voltage rating		335 Veff Maxi
Dielectric withstanding voltage		1000 Veff mini
Insulation resistance		1000 MΩ mini

Operating temperature	-65/+165 ° C
Hermetic seal	NA Atm.cm3/s
Panel leakage	NA

OTHER CHARACTERISTICS

Assembly instruction **NA**

Others :

* Coaxial Transmission Line Only

MECHANICAL CHARACTERISTICS

Center contact retention		
Axial force – Mating end		10 N mini
Axial force – Opposite end		10 N mini
Torque		NA N.cm mini
Recommended torque		
Mating		NA N.cm
Panel nut		60 N.cm
Mating life		500 Cycles mini
Weight		0,0000 g

Issue : 1242 B

In the effort to improve our products, we reserve the right to make changes judged to be necessary.

