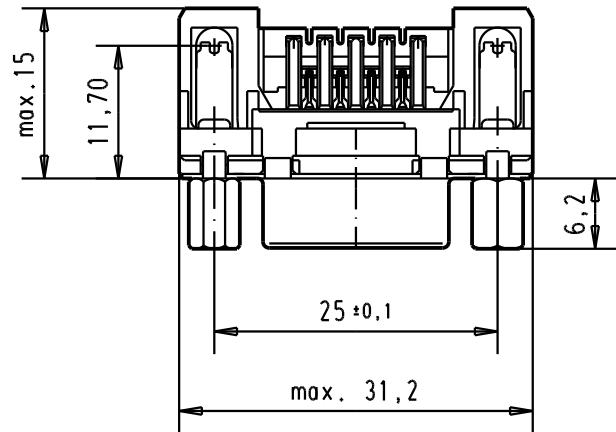
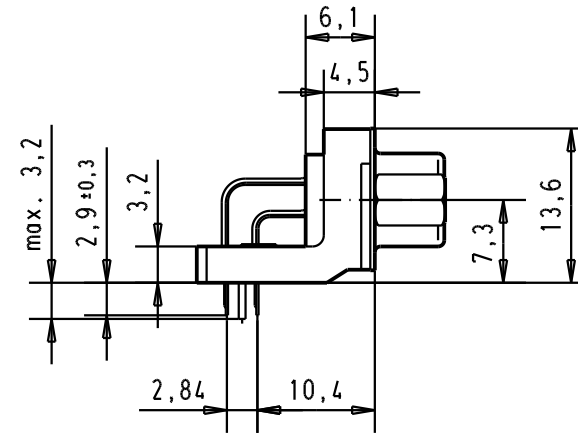
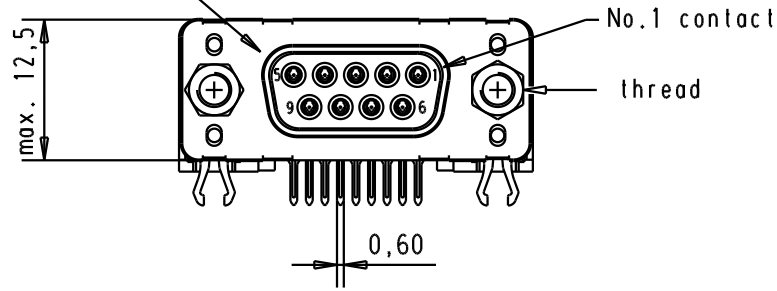
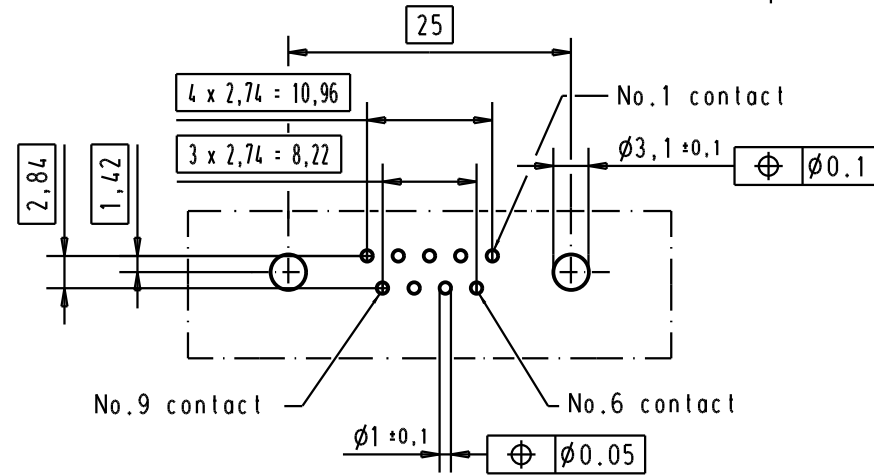


Mating face according to : MIL-C-24308 / DIN 41652 / CECC 75301-802



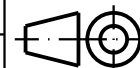
PCB layout hole component side



Connector retention and insertion forces on the PCB = 25 / 80 newtons

A

Part number	Screw lock thread	Performance level	Mod.	Dat.	Name	DoI.	Name	Moßstab/ Scale	
09 66 153 3633	M3	1				Detail.	04/SEP/02 YT	1.5:1	
09 66 153 6633	M3	2				Insp.			
09 66 153 7633	M3	3				Stand.			
09 66 153 3613	4-40 UNC	1						1.5:1	
09 66 153 6613	4-40 UNC	2	31892	05/05/04	JH				
09 66 153 7613	4-40 UNC	3	31084	04/SEP/02	YT				
Part number						Screw lock thread		Performance level	
Mod.						Dat.		Name	
HARTING EURL						F-95972 Paris		TB 0966153x6x3	
Sub.								1	



All Dim. in mm  
Orig. Size DIN A 4



D-Sub 09 poles standard angle female, solder pin with screw lock and grounding board lock.

TB 0966153x6x3

Sub.

Blatt/ Page

1