

MATERIALS AND FINISHES

BODY: ZINC ALLOY
PLATED NICKEL

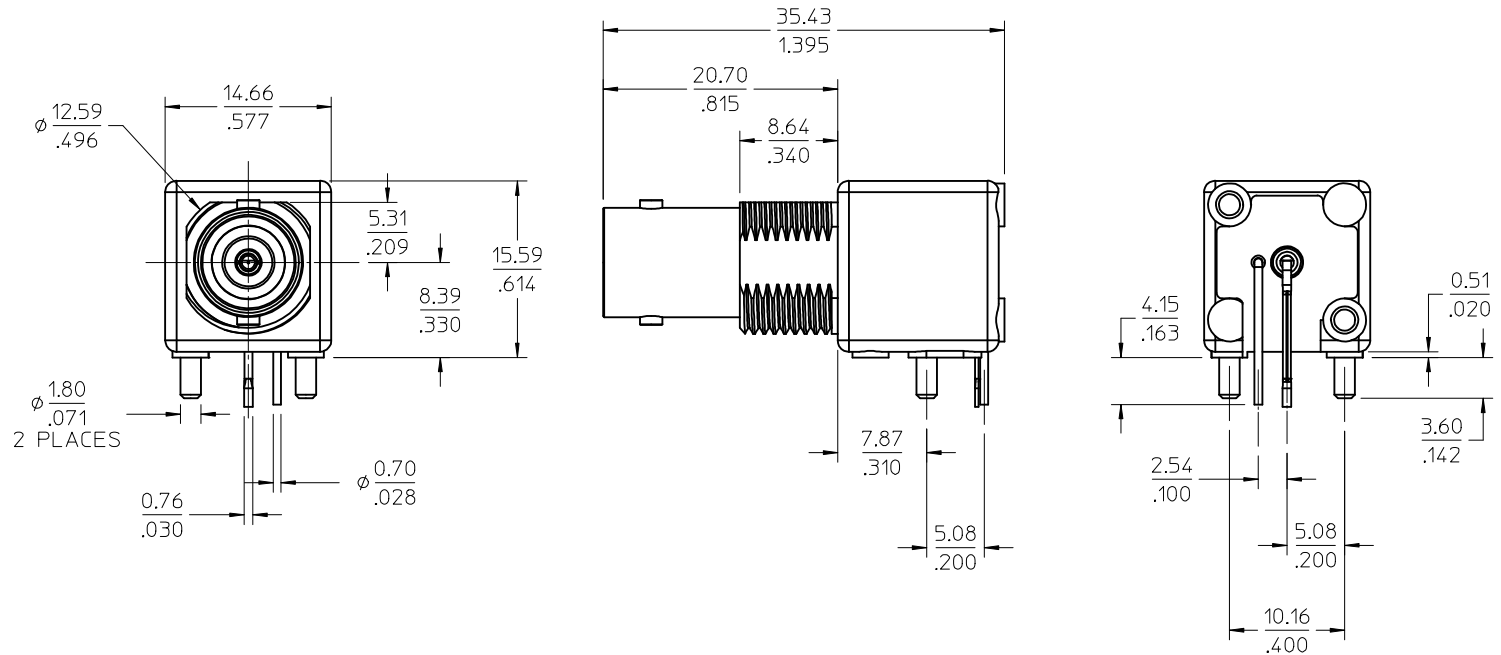
CONTACT: PHOSPHOR BRONZE
PLATED GOLD

INSULATOR: POLYPROPYLENE (94 V-2)

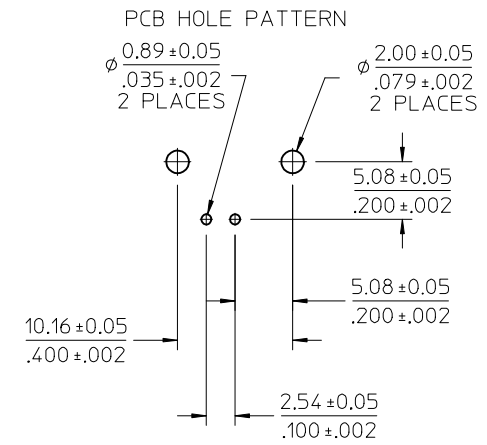
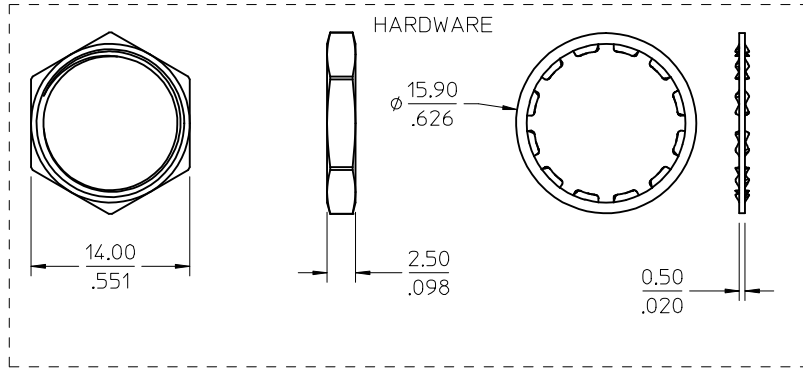
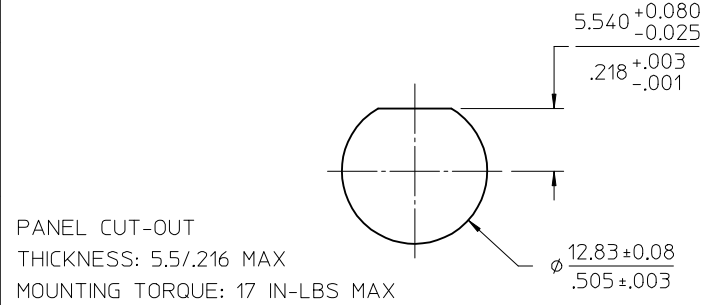
MOUNTING POST: BRASS
PLATED TIN

JAM NUT: BRASS
PLATED NICKEL

SOLDER TAIL: COPPER COVERED STEEL
PLATED TIN



73171-4360	INCLUDED	QTY (1) OF 73138-5033 IN SINGLE BAG WITH LABEL
73171-3720	NOT INCLUDED	TRAY PER PK-89542-0021
73138-5033	INCLUDED	TRAY PER PK-89542-0020
PART NO.	HARDWARE	PACKAGING



PS-89675-1030	ELEC/MECH PERFORMANCE
SPECIFICATION	DESCRIPTION

CHG: ADD PN OF PKG FOR -3720 & -5033 PER EWR 10882-A EC NO: URF2017-0360 DRW:WME102 2017/04/19 CHKD: APPR:YCHENG 2017/05/09	QUALITY SYMBOLS ▽=0 ▽=0
	GENERAL TOLERANCES (UNLESS SPECIFIED) 4 PLACES ± --- ± --- 3 PLACES ± --- ± --- 2 PLACES ± --- ± --- 1 PLACE ± --- ± --- ANGULAR ± 2°

DIMENSION STYLE MM/IN DRAWN BY IRIS WANG DATE 1991/02/26 CHECKED BY IRIS WANG DATE 1991/02/26 APPROVED BY R FIELDS DATE 1991/02/26	SCALE DESIGN UNITS METRIC	THIRD ANGLE PROJECTION
--	---------------------------------	------------------------

TITLE BNC JACK RA BULKHEAD DIECAST 50 OHM BNC-J/PCB		SHEET NO. 1 OF 1
MATERIAL NO. SEE TABLE		DOCUMENT NO. SD-73138-5033
DRAFT WHERE APPLICABLE MUST REMAIN WITHIN DIMENSIONS		
THIS DRAWING CONTAINS INFORMATION THAT IS PROPRIETARY TO MOLEX INCORPORATED AND SHOULD NOT BE USED WITHOUT WRITTEN PERMISSION		

MATERIALS AND FINISHES

BODY: ZINC ALLOY
PLATED NICKEL

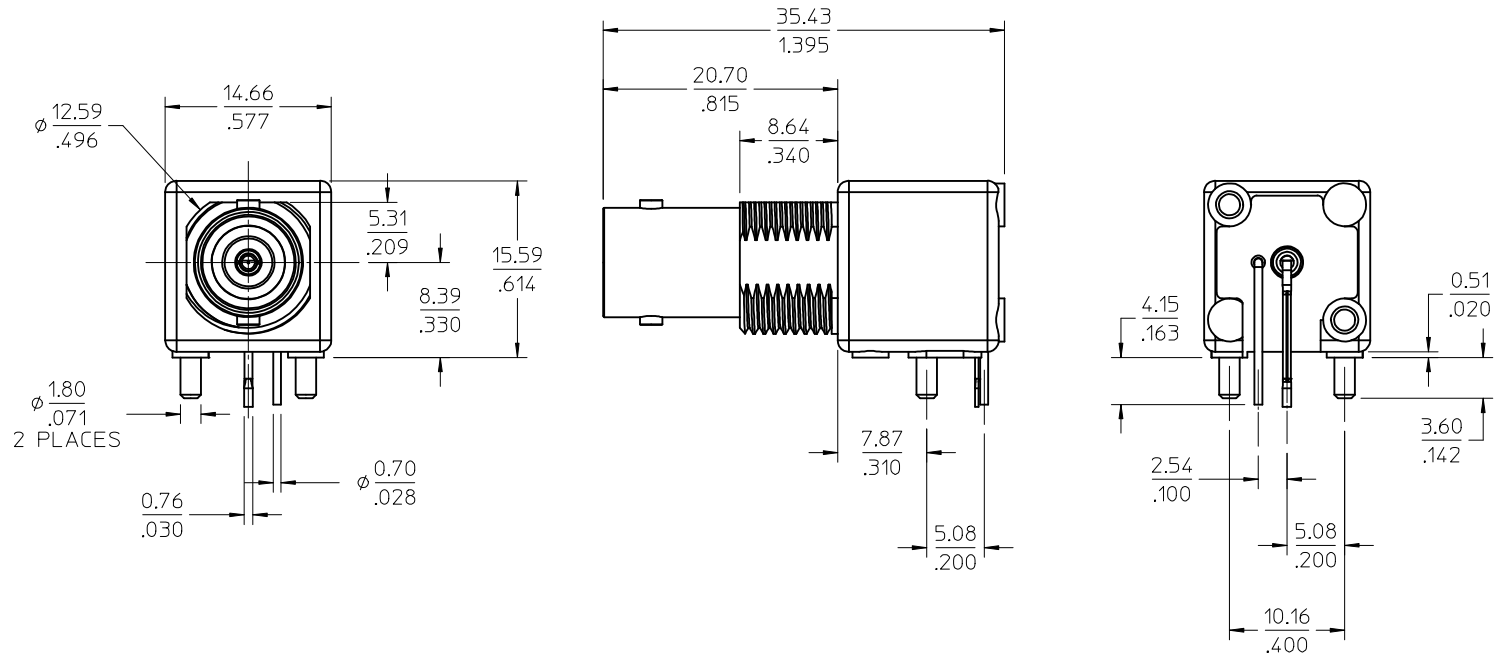
CONTACT: PHOSPHOR BRONZE
PLATED GOLD

INSULATOR: POLYPROPYLENE (94 V-2)

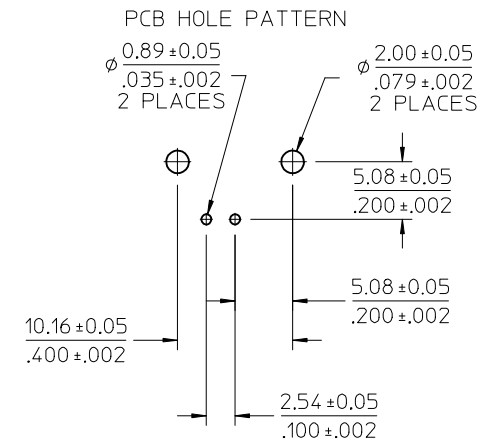
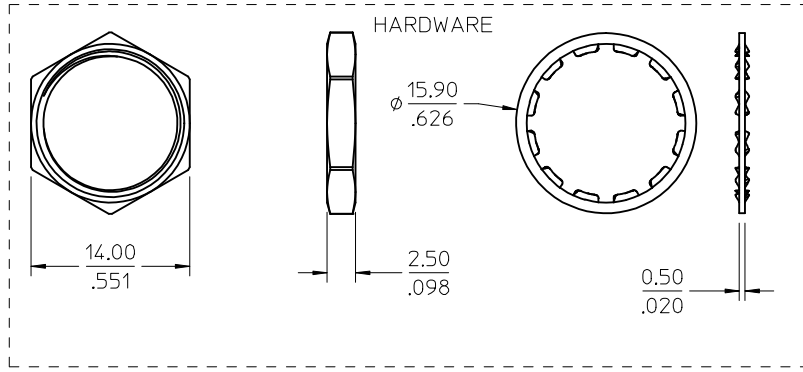
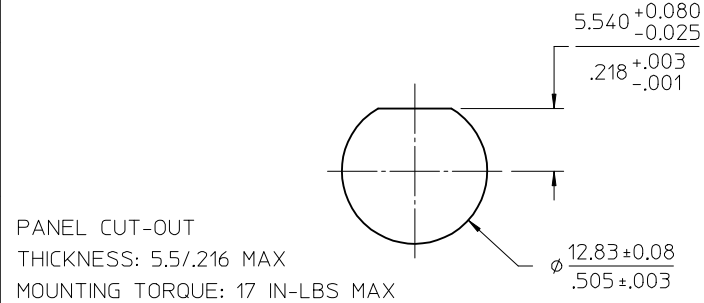
MOUNTING POST: BRASS
PLATED TIN

JAM NUT: BRASS
PLATED NICKEL

SOLDER TAIL: COPPER COVERED STEEL
PLATED TIN



73171-4360	INCLUDED	QTY (1) OF 73138-5033 IN SINGLE BAG WITH LABEL
73171-3720	NOT INCLUDED	TRAY PER PK-89542-0021
73138-5033	INCLUDED	TRAY PER PK-89542-0020
PART NO.	HARDWARE	PACKAGING



PS-89675-1030	ELEC/MECH PERFORMANCE
SPECIFICATION	DESCRIPTION

CHG: ADD PN OF PKG FOR -3720 & -5033 PER EWR 10882-A EC NO: URF2017-0360 DRW:WME102 2017/04/19 CHKD: APPR:YCHENG 2017/05/09	QUALITY SYMBOLS ▽=0 ▽=0
	GENERAL TOLERANCES (UNLESS SPECIFIED) 4 PLACES ± --- ± --- 3 PLACES ± --- ± --- 2 PLACES ± --- ± --- 1 PLACE ± --- ± --- ANGULAR ± 2°

DIMENSION STYLE MM/IN DRAWN BY IRIS WANG DATE 1991/02/26 CHECKED BY IRIS WANG DATE 1991/02/26 APPROVED BY R FIELDS DATE 1991/02/26	SCALE DESIGN UNITS METRIC	THIRD ANGLE PROJECTION
	TITLE BNC JACK RA BULKHEAD DIECAST 50 OHM BNC-J/PCB	

MATERIAL NO. SEE TABLE	DOCUMENT NO. SD-73138-5033	SHEET NO. 1 OF 1
DRAFT WHERE APPLICABLE MUST REMAIN WITHIN DIMENSIONS		
THIS DRAWING CONTAINS INFORMATION THAT IS PROPRIETARY TO MOLEX INCORPORATED AND SHOULD NOT BE USED WITHOUT WRITTEN PERMISSION		