

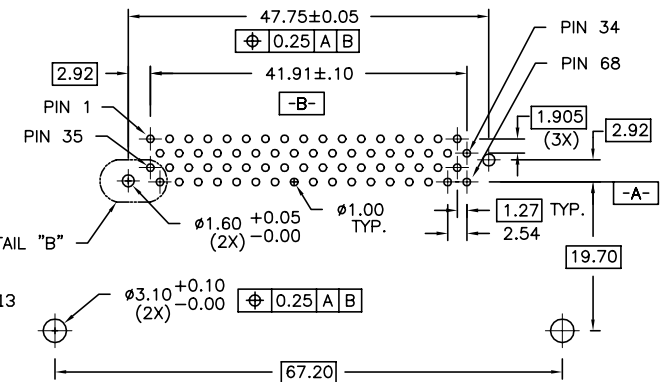
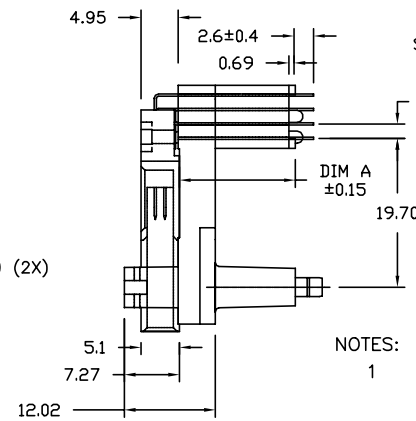
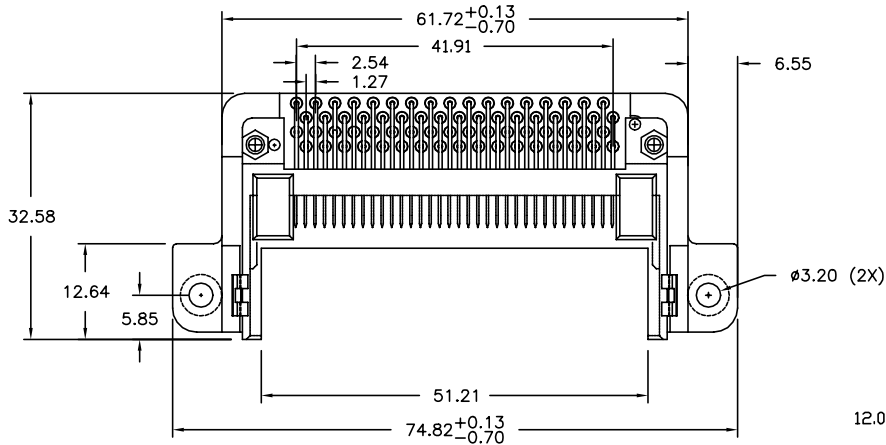
PRODUCT NO.	DIM "A"	DIM "B"	Comments
87536-001LF	8.90	10.8	
87536-011LF	8.90	10.8	SEE NOTE 2
87536-002/002LF	12.70	14.6	
87536-003/003LF	SEE SHEET 2	SEE SHEET 2	
87536-004LF	15.50	17.4	
87536-014LF	15.50	17.4	SEE NOTE 2
87536-005/005LF	SEE SHEET 3	SEE SHEET 3	

A

B

C

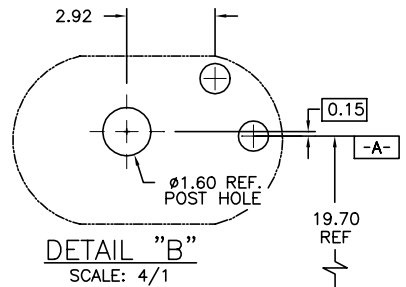
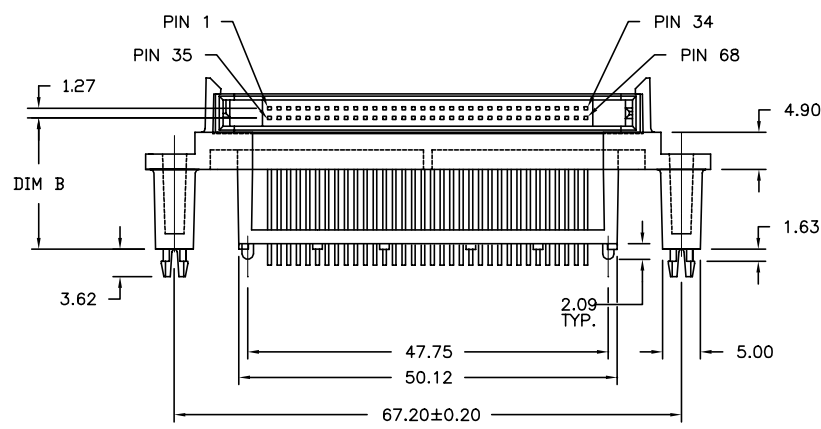
D



P.C.B. LAYOUT

NOTES:

- MATERIAL:
CONTACT - COPPER ALLOY
HOUSING: HIGH TEMPERATURE THERMOPLASTIC UL94V-0 BLACK
- PLATING:
CONTACT - ALL OVER 1.27um NICKEL UNDER PLATING
0.076um GOLD MIN ON CONTACT
2.5um TIN/LEAD PLATING ON TIN LEAD SOLDER TAIL
2.5um PURE TIN PLATING ON LEAD FREE SOLDER TAIL
- MATING CONNECTOR TO MATE WITH 68 POS. RECEPTACLE BASED ON JEIDA/PCMCIA SPECIFICATION
- IF LEAD FREE P/N. THE HOUSING WILL WITHSTAND EXPOSURE TO 260°C PEAK TEMPERATURE FOR 10 SECONDS IN A WAVE SOLDER APPLICATION WITH A 1.00MM MINIMUM THICK CIRCUIT BOARD.
- IF LEAD FREE P/N. PACKAGING MEETS GS-14-920 SPECIFICATION
- LEAD FREE PRODUCT MEETS EUROPEAN UNION DIRECTIVES AND OTHER COUNTRY REGULATIONS AS DISCRIBED IN GS-22-008
- PRODUCT SPECIFICATION APR-12-031, PACKING SPECIFICATION BUS-14-357
- PRODUCT SPEC:110-263



DETAIL "B"
SCALE: 4/1

rev	ecn no	dr	date
W	LX-N-011425	ZK	04/23/12
R	N10-0052	SH	05/30/10
S	N10-0140	SH	06/29/10
T	N10-0331	David	09/20/10
U	N10-0339	SH	09/30/10
V	ELX-N-007948	ZK	11/01/11
W	ELX-N-011425	ZK	04/27/12

www.fciconnect.com		surface 6.4 Iso 1302	tolerance std Iso406 Iso 1101	projection	
		TOLERANCES UNLESS OTHERWISE SPECIFIED			
Dr	R.GRAPE	3/6/96	ANGULAR	0.X ± 0.3	size A4
Eng	CHONG YI	3/6/96	LINEAR	0.XX ± 0.15	Scale 1.000
Chr	CHONG YI	3/6/96	0° ±2°	0.XXX ± 0.05	ECN N10-0140
Appr	CHONG YI	3/6/96	Product family	PCMCIA	Spec ref *
FCI			title	87536	Rev. W
			HEADER ASSEMBLY W/STANDOFF		
			catalog no	* CUSTOMER	sheet 1 of 3

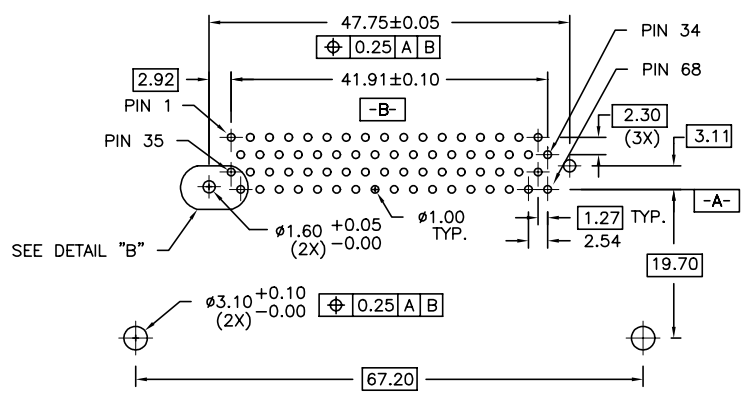
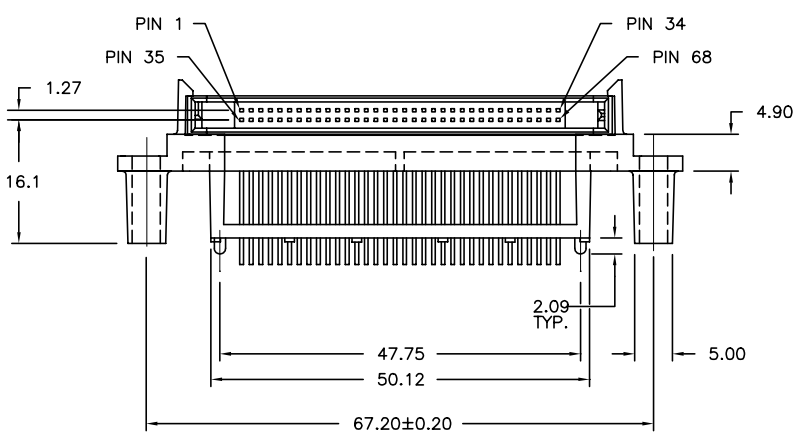
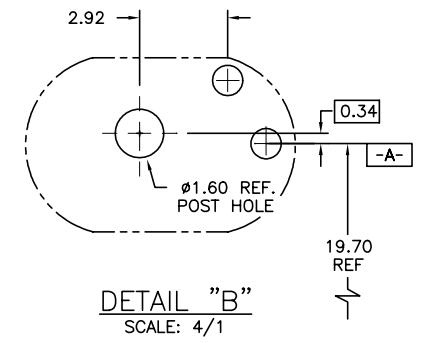
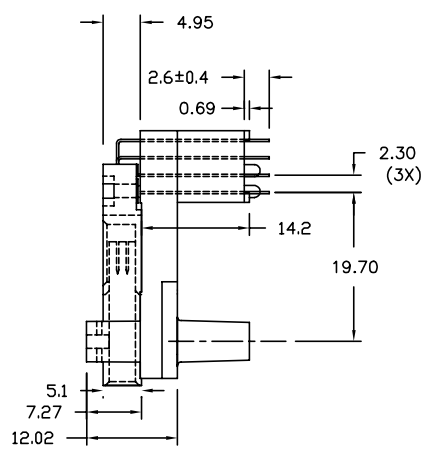
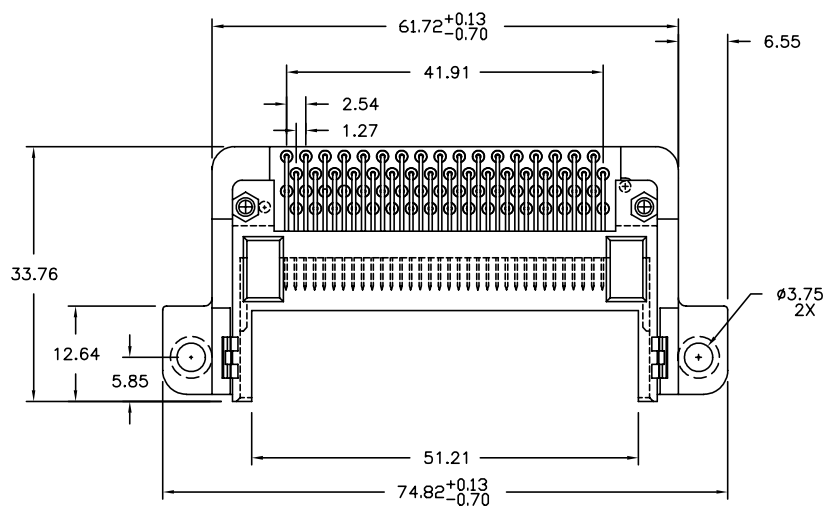


Copyright FCI



Copyright FCI.

PRODUCT NO.
87536-003/003LF



P.C.B. LAYOUT

www.fciconnect.com			surface 6.4 Iso 1302	tolerance std Iso406 Iso 1101	projection ↔
			TOLERANCES UNLESS OTHERWISE SPECIFIED		
Dr	R.GRAPE	3/6/96	ANGULAR	0.X ± 0.3	size A4
Eng	CHONG YI	3/6/96	LINEAR	0.XX ± 0.15	Scale 1.000
Chr	CHONG YI	3/6/96	0° ±2°	0.XXX ± 0.05	ECN ELX-N-007948
Appr	CHONG YI	3/6/96	Product family	PCMCIA	Spec ref *
FCI			title HEADER ASSEMBLY W/STANDOFF		dwg no 87536
			catalog no *	CUSTOMER	sheet 2 of 3

REV F - 2006-04-17

1

2

3

4

PRODUCT NO.
87536-005/005LF

A

B

C

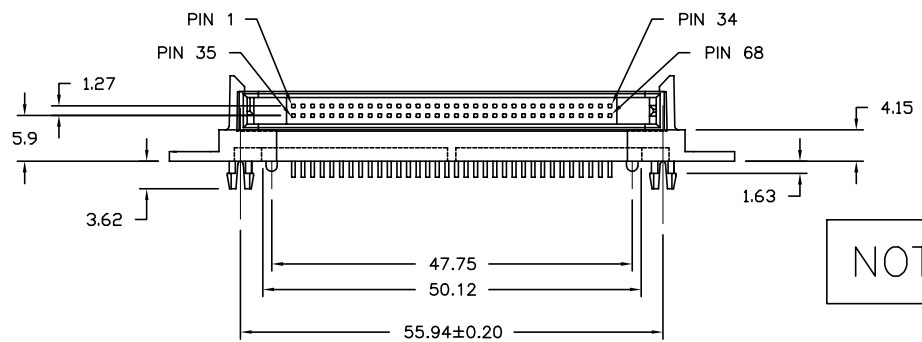
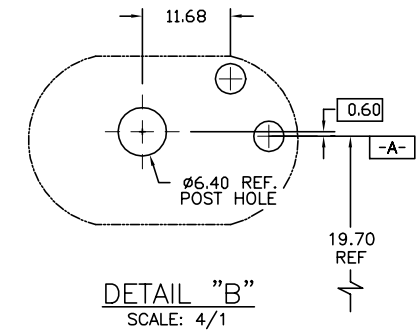
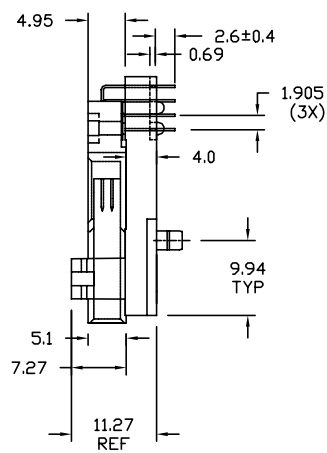
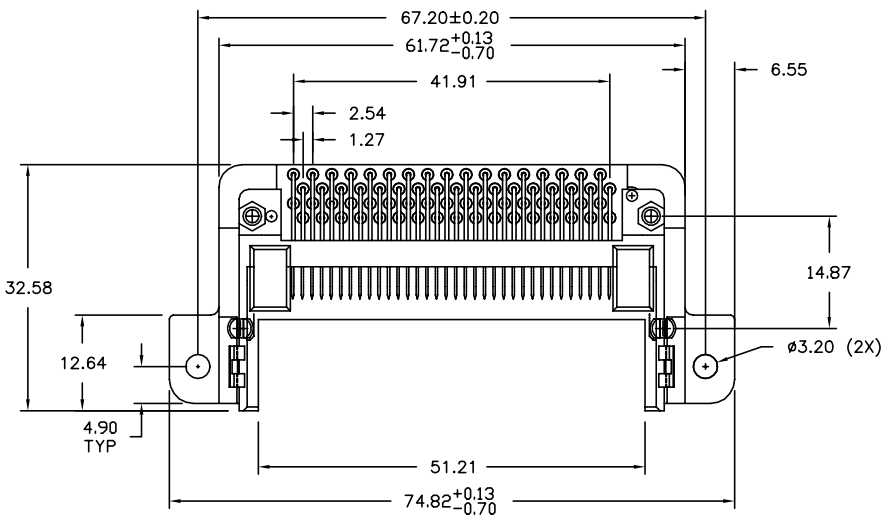
D

A

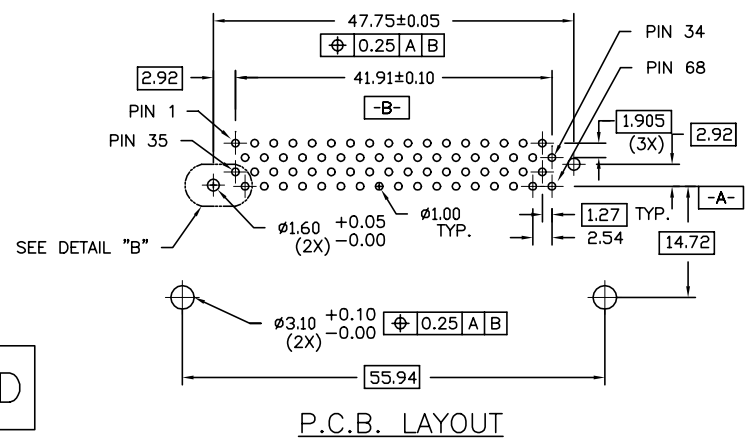
B

C

D



NOT TOOLED



Copyright FCI.

REV F - 2006-04-17

1

2

3

4

www.fciconnect.com				surface 6.4 Iso 1302	tolerance std Iso406 Iso 1101	projection ⊕	
				TOLERANCES UNLESS OTHERWISE SPECIFIED			
Dr	R.GRAPE	3/6/96	ANGULAR	0.X	± 0.3	size	A4
Eng	CHONG YI	3/6/96	LINEAR	0.XX	± 0.15	Scale	1.000
Chr	CHONG YI	3/6/96	0° ±2°	0.XXX	± 0.05	ECN	ELX-N-007948
Appr	CHONG YI	3/6/96	Product family	PCMCIA	Spec ref	*	
FCI			title	HEADER ASSEMBLY W/STANDOFF		dwg no	87536
			catalog no	*	CUSTOMER	sheet 3 of 3	Rev. W

PDS: Rev :W

STATUS:Released

Printed: May 26, 2012