

Single Turn Continuous Rotation Potentiometer or with Stop-Ends Conductive Plastic Track



FEATURES

- Infinite resolution
- Precious metal contacts
- Housing: high temperature thermo plastic
- Terminals: soldering pins
- Shaft: stainless steel
- Plain bearing (= sleeve bearing)
- Bush mounting
- Rotation with stop-ends (standard design) or without
- Dust proof
- Applicable standards: NFC 93255, MIL R39023
- Material categorization: for definitions of compliance please see www.vishay.com/doc?99912



QUICK REFERENCE DATA

Sensor type	ROTATIONAL, conductive plastic
Output type	Output by turrets
Market appliance	Industrial
Dimensions	27 mm

ELECTRICAL SPECIFICATIONS

PARAMETER		
Useful electrical travel		310° ± 5°
Independent linearity standard		± 1.0 %
Independent linearity optional		± 0.5 %
Total resistance (R _n)		10 kΩ
Tolerance on R _n		± 20 %
Output smoothness		≤ 0.1 %
Power rating at 40 °C		1 W
Temperature coefficient		-300 ± 300 ppm/°C
Wiper current		≤ 1 mA
Recommended load impedance		≥ 100 R _n for linearity = 1 % ≥ 1000 R _n for linearity ≤ 0.5 %
Insulation resistance		≥ 1 GΩ at 500 V _{DC}
Dielectric strength		750 V, 50 Hz, 1 min

MECHANICAL SPECIFICATIONS

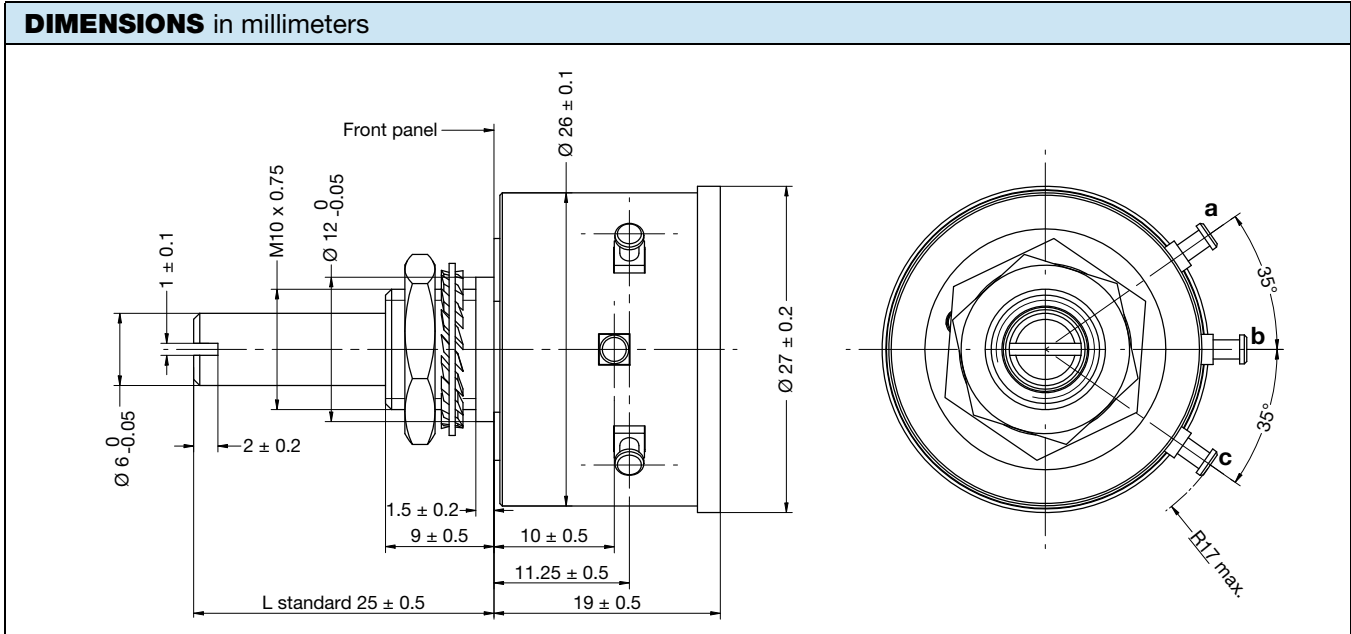
PARAMETER		
Mechanical rotation without stop		360° continuous
Mechanical rotation with stop		333° ± 5° continuous
Running and starting torque		≤ 1.4 N cm
Stop torque		100 N cm
Bush tightening torque		250 N cm
Moment of inertia		≤ 1 g cm ²
Protection class		IP50
Weight		30 g
Mounting		Bush

PERFORMANCE

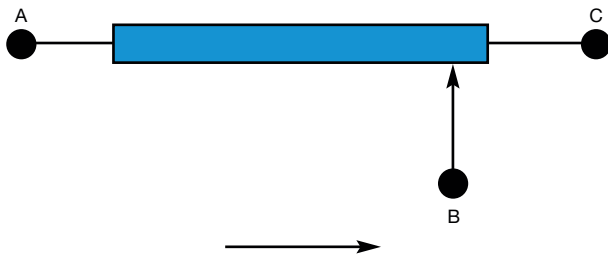
PARAMETER		
Operating temperature range		-55 °C to +105 °C
Life		10M cycles
Rotation speed (max.)		120 rpm



SAP PART NUMBERING GUIDELINES							
MODEL	MOUNTING	TYPE	GANG	VALUE	LINEARITY	ANGLE	PACKAGING
PP27	B = bushing	S = sleeve bearing	1	103 = 10K	A = 1 %	310	B = box

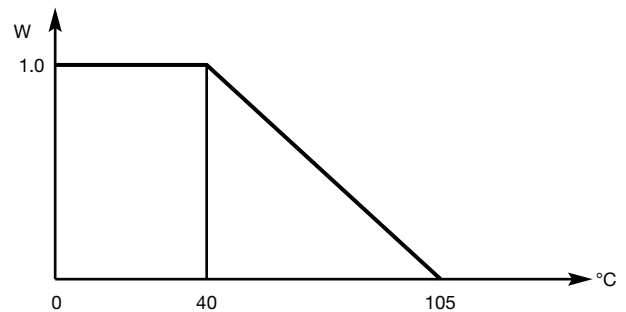


ELECTRICAL DIAGRAM



Clockwise when viewed from shaft end

POWER RATING CHART



OPTIONS (on request)

- Continuous rotation (without stop-ends)
- Through shaft
- Ganging 2 or 3
- Other electrical travels
- Other ohmic value
- Other tolerances on R_n
- Other linearities (0.5 %)
- Middle tap
- Shaft with different length (top shaft, rear shaft), screwdriver slot
- Pin on the through shaft to use the rear side of potentiometer as a dial
- Output with wires equipped of connector



Disclaimer

ALL PRODUCT, PRODUCT SPECIFICATIONS AND DATA ARE SUBJECT TO CHANGE WITHOUT NOTICE TO IMPROVE RELIABILITY, FUNCTION OR DESIGN OR OTHERWISE.

Vishay Intertechnology, Inc., its affiliates, agents, and employees, and all persons acting on its or their behalf (collectively, "Vishay"), disclaim any and all liability for any errors, inaccuracies or incompleteness contained in any datasheet or in any other disclosure relating to any product.

Vishay makes no warranty, representation or guarantee regarding the suitability of the products for any particular purpose or the continuing production of any product. To the maximum extent permitted by applicable law, Vishay disclaims (i) any and all liability arising out of the application or use of any product, (ii) any and all liability, including without limitation special, consequential or incidental damages, and (iii) any and all implied warranties, including warranties of fitness for particular purpose, non-infringement and merchantability.

Statements regarding the suitability of products for certain types of applications are based on Vishay's knowledge of typical requirements that are often placed on Vishay products in generic applications. Such statements are not binding statements about the suitability of products for a particular application. It is the customer's responsibility to validate that a particular product with the properties described in the product specification is suitable for use in a particular application. Parameters provided in datasheets and / or specifications may vary in different applications and performance may vary over time. All operating parameters, including typical parameters, must be validated for each customer application by the customer's technical experts. Product specifications do not expand or otherwise modify Vishay's terms and conditions of purchase, including but not limited to the warranty expressed therein.

Hyperlinks included in this datasheet may direct users to third-party websites. These links are provided as a convenience and for informational purposes only. Inclusion of these hyperlinks does not constitute an endorsement or an approval by Vishay of any of the products, services or opinions of the corporation, organization or individual associated with the third-party website. Vishay disclaims any and all liability and bears no responsibility for the accuracy, legality or content of the third-party website or for that of subsequent links.

Except as expressly indicated in writing, Vishay products are not designed for use in medical, life-saving, or life-sustaining applications or for any other application in which the failure of the Vishay product could result in personal injury or death. Customers using or selling Vishay products not expressly indicated for use in such applications do so at their own risk. Please contact authorized Vishay personnel to obtain written terms and conditions regarding products designed for such applications.

No license, express or implied, by estoppel or otherwise, to any intellectual property rights is granted by this document or by any conduct of Vishay. Product names and markings noted herein may be trademarks of their respective owners.