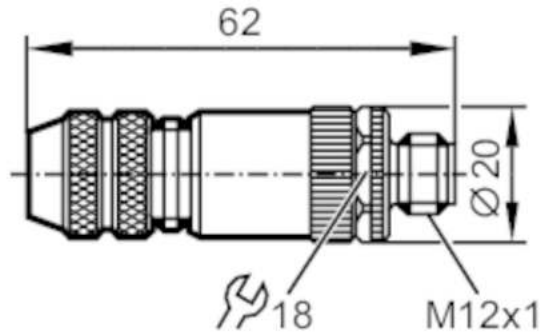


E12289



Wirable plug

SSTGN040ZDSFKSG



Application

Special feature	Free from silicone; Gold-plated contacts
Design	Ethernet cable, D-coded
Free from silicone	yes

Electrical data

Operating voltage [V]	< 45 AC / < 70 DC
Max. current load total [A]	4; (...40 °C)

Operating conditions

Ambient temperature [°C]	-25...85
Protection	IP 67

Mechanical data

Weight [g]	44.6
Dimensions [mm]	20.2 x 20.2 x 63
Materials	diecast zinc nickel-plated
Moulded-body material	diecast zinc, nickel-plated
Material nut	diecast zinc, nickel-plated

Remarks

Pack quantity	1 pcs.
---------------	--------

Electrical connection

screw terminals: ...0.75 mm²; Cable sheath: Ø 6...8 mm; AWG 18

Electrical connection - plug

Connector: 1 x M12, straight; coding: D; Moulded body: diecast zinc, nickel-plated; Locking: diecast zinc, nickel-plated; Contacts: gold-plated; Shielded connection cable: shieldable

E12289

Wirable plug

SSTGN040ZDSFKSG



Connection

