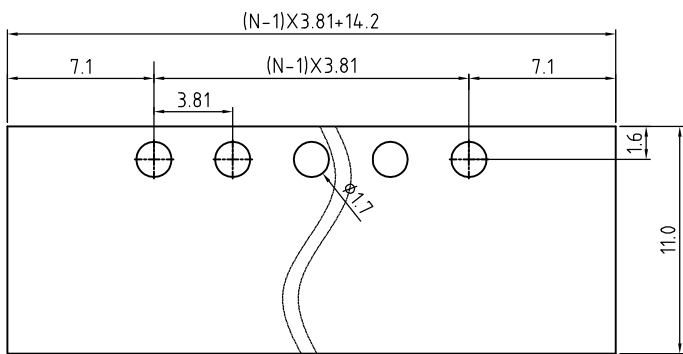
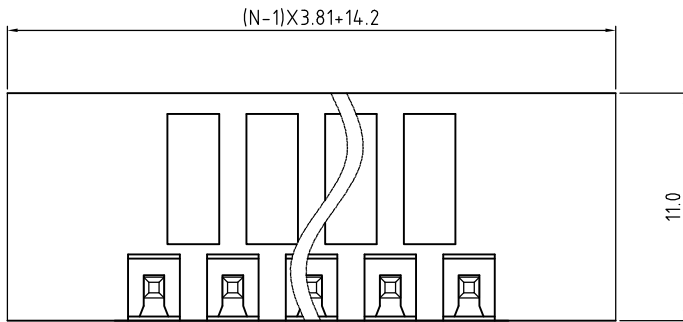
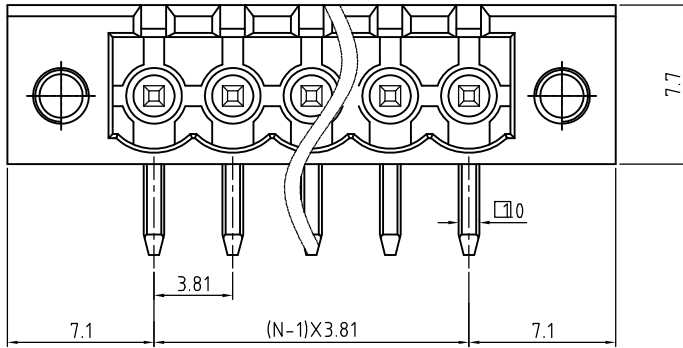
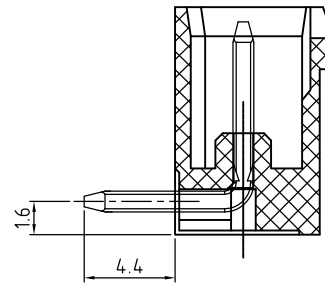


Transfer or duplication of this document as well as the utilisation or communication of its content are not permitted unless express consent is granted. Violations give rise to claims for damages. All rights reserved in case of patent, utility model or design patent registrations.

N=Number of contacts



PCB LAYOUT



Technical Data:

Electrical

- Pitch: 3.81mm
- Voltage rating: 300V
- Current rating: 12 Amps
- Withstanding Voltage: 2500VAC(1min)

Mechanical:

- Operating temperature: -40°C to +105°C
- Soldering temperature
- Temperature= 250°C±10°C /5 seconds max
- Safety approval: RoHS Compliance

Part No.:

OSTVEXX3251

- No. of Poles
- 02 2 Poles
 - 03 3 Poles
 -
 - 24 24 Poles

Nonstandard colors
Mins could apply

COLOR

- 0: Black
- 2: Red
- 3: Orange
- 4: Yellow
- 5: Green (Standard)
- 6: Blue
- 8: Grey

3	Flange nut	Copper Alloy		2
2	Pin	Copper Alloy	Tin plated	1xN
1	Body	PA66-30%GF UL94V		1
ITEM	NAME OF PART	MATERIAL	NOTES	Q"TY
DWG.	DATE	UNITS:	MM	SHEET: 1 OF 1
CHK.	DATE	SCALE:	NONE 4:1 (:)	REV.: A
APP.	DATE	TITLE:	OSTVE SERIES 3.81MM	X. ±0.50
			WITH FLANGE RIGHT ANGLE	X.XX ±0.30
		PART NO.	OSTVEXX3251	X° ±1°
		DWG NO.	OSTVEXX3251.DWG	

REV	△	DESCRIPTION	CHK.	DATE



ON-SHORE TECHNOLOGY, INC.

