

READERS WITHOUT LED

CZ-0-PIN (4xPIN)

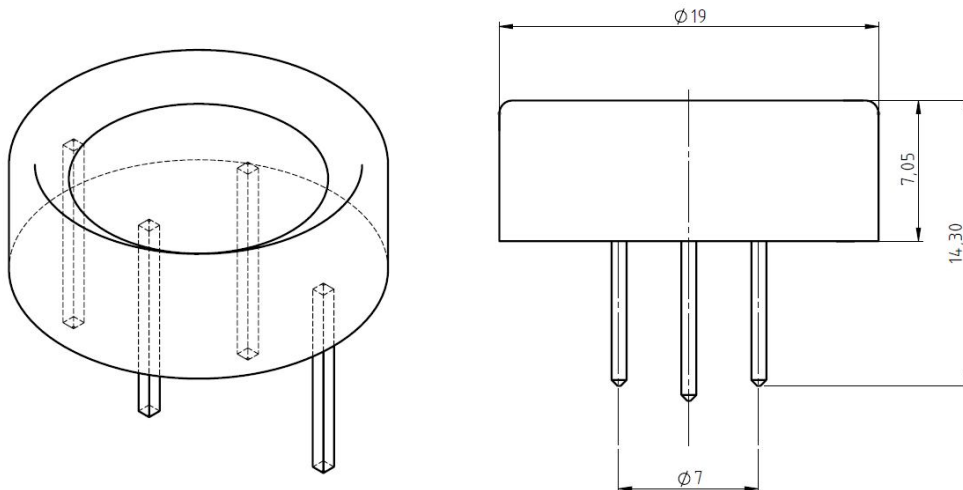


All metall parts are chromium-plated

Also available in stainless steel [SUS316]

Four mounting pins

Reader lead to install on PCB



Technical data for chromium plated version

The reader is designer to work with Maxim Dallas chips series DS19xx

1. Dedications of Pins version 2/4

Middle Pins– 1 wire signal
Outer Pins - GND

2. Application

Acces control device

3. Ring material

Chromium plated steel

4. Fastening method

Directly onto PCB

5. Work enviroment

Residential, commercial and lightly industrial

6. Working temperature

From -40 °C to +85 °C

7. Humidity

Up to 70%

DEMIURG W.WOJTASIK, R.WROŃSKA WOJTASIK, T.WOJTASIK s.c.

ul. Pustynna 66

93-479 Łódź

tel./fax: 042 636 70 70