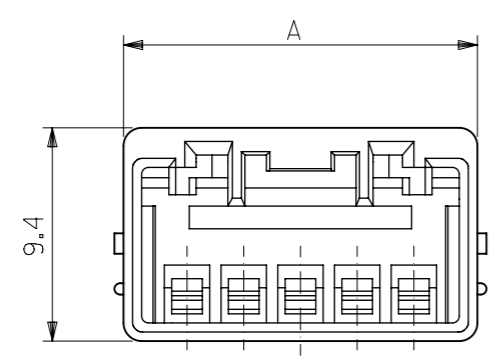
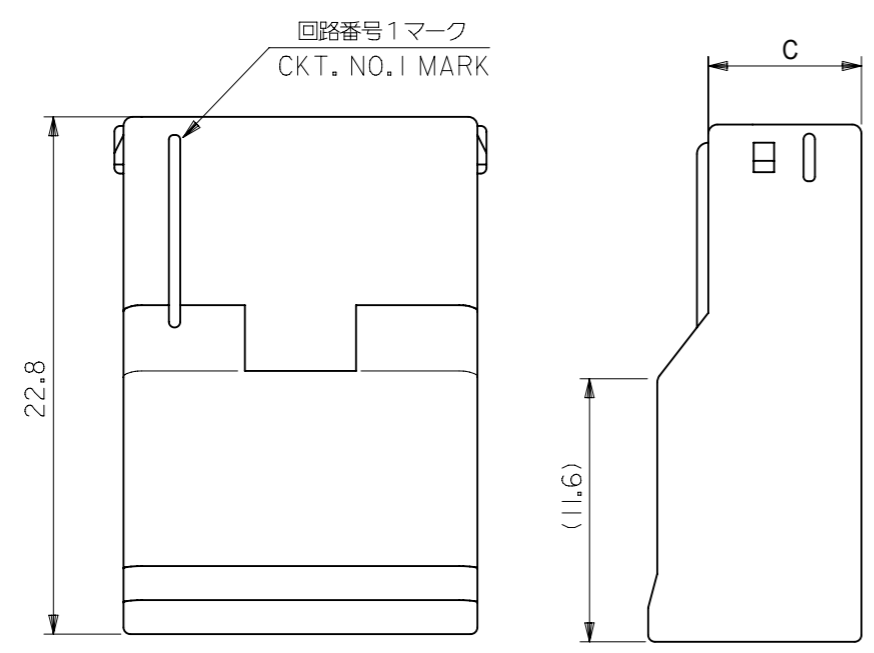
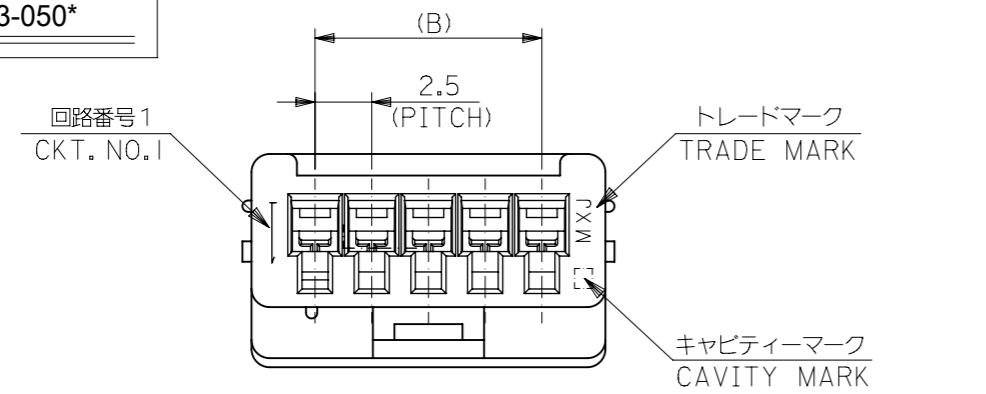
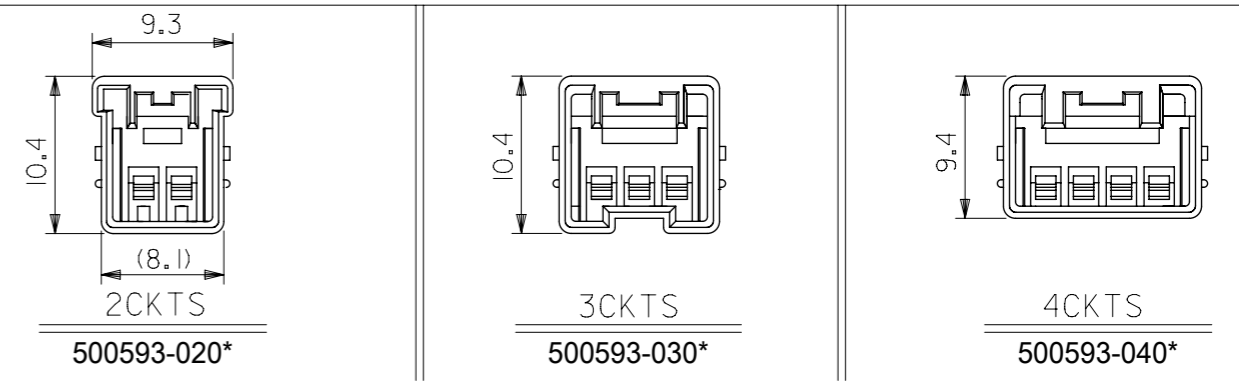


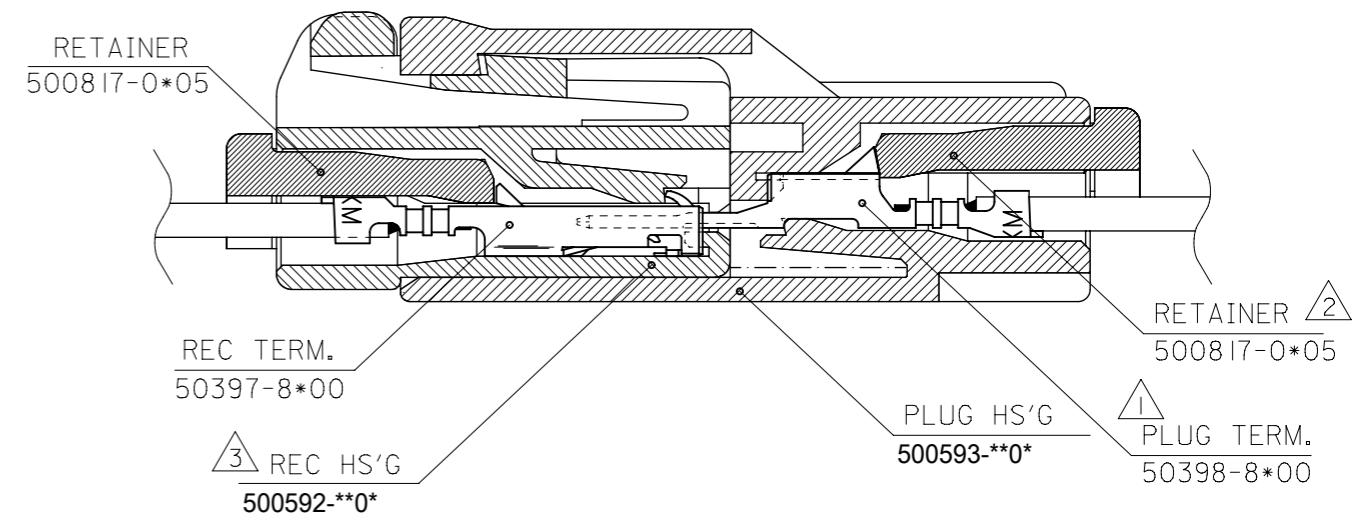
SHAPE OF
500593-050*



4極以下の極数レイアウト図
LAYOUT OF 2/3/4CKTS.



ターミナル装着状態図
TERMINAL ASSEMBLY DRAWING



注記
NOTES

- ① 適合ターミナル：50398シリーズ
APPLICABLE TERMINAL：50398 SERIES
- ② 適合リテーナー：500817シリーズ
APPLICABLE RETAINER：500817 SERIES
- ③ 嵌合相手：500592シリーズ
MATE WITH：500592 SERIES
- 4. 材質：PBT (UL94V-0)
MATERIAL：PBT(UL94V-0)

5. MATERIAL NO.は以下の内容を示す。
MATERIAL NO.：
500593-**0*

極数 CKT	色 COLOR
0	自然色 NATURAL
1	黒 BLACK
2	赤 RED
3	黄色 YELLOW
4	青 BLUE
6	緑 GREEN

500593-**0* MODEL NO.

FUNCTIONAL SYMBOLS ▽A=0 ▽E=0 ▽P=0	THIS DRAWING CONTAINS INFORMATION THAT IS PROPRIETARY TO MOLEX ELECTRONIC TECHNOLOGIES, LLC AND SHOULD NOT BE USED WITHOUT WRITTEN PERMISSION	CURRENT REV DESC: OBSOLETE PART NUMBERS AS PER PCN#510807	
	DIMENSION UNITS MM	SCALE 1:1	EC NO: 726454
	GENERAL TOLERANCES (UNLESS SPECIFIED)		DRWN: LIKITV 2022/10/20
DIVISIONAL SYMBOLS	ANGULAR TOL ± 3.0°	4 PLACES ± 0.2	CHK'D: GGA 2022/11/30
	3 PLACES ± 0.25	2 PLACES ± 0.3	APPR: GGA 2022/11/30
	1 PLACE ±	0 PLACES ±	INITIAL REVISION: DRWN: U.MUMEDA 2005/04/07 APPR: KASAKAWA 2015/04/27
DRAFT WHERE APPLICABLE MUST REMAIN WITHIN DIMENSIONS	THIRD ANGLE PROJECTION	DRAWING A3-SIZE	SERIES 500593
DOCUMENT STATUS P1	RELEASE DATE 2022/11/30	11:33:22	DOCUMENT NUMBER SD-500593-001
PSD		DOC TYPE 001	DOC PART C1
GENERAL MARKET		SHEET NUMBER 1 OF 2	



500592-080*	500817-0805	6.75	17.5	23.1	8	— // —	— // —	— // —	500593-0800	500593-**0*
↙ -070*	↙ -0705	↙	15	20.6	7	— // —	— // —	— // —	↙ -0700	
↙ -060*	↙ -0605	↙	12.5	18.1	6	— // —	— // —	— // —	↙ -0600	
↙ -050*	↙ -0505		10	15.6	5	— // —	— // —	— // —	↙ -0500	
↙ -040*	↙ -0405	6.75	7.5	13.1	4	— // —	— // —	— // —	↙ -0400	
↙ -030*	↙ -0305	7.75	5	10.6	3	500593-0304	— // —	500593-0301	↙ -0300	
500592-020*	500817-0205	7.75	2.5	8.1	2	500593-0204	500593-0202	500593-0201	500593-0200	MODEL NO.
MATE WITH	CONFORTABLE-RETAINER	C	B	A	CKT.	BLUE	RED	BLACK	NATURAL	

THIS DRAWING CONTAINS INFORMATION THAT IS PROPRIETARY TO MOLEX ELECTRONIC TECHNOLOGIES, LLC AND SHOULD NOT BE USED WITHOUT WRITTEN PERMISSION									
FUNCTIONAL SYMBOLS	DIMENSION UNITS	SCALE	CURRENT REV DESC: OBSOLETE PART NUMBERS AS PER PCN#510807						
▽/A = 0	MM	3:1	molex 2.5MM WIRE TO WIRE CONN. PLUG HOUSING PRODUCT CUSTOMER DRAWING						
▽/E = 0	GENERAL TOLERANCES (UNLESS SPECIFIED)								
▽/V = 0	ANGULAR TOL ± 3.0 °		EC NO: 726454 DRWN: LIKITV 2022/10/20 CHK'D: GGA 2022/11/30 APPR: GGA 2022/11/30						
DIVISIONAL SYMBOLS	4 PLACES ± 0.2		INITIAL REVISION:						
	3 PLACES ± 0.25		DRWN: U.MUMEDA 2005/04/07						
	2 PLACES ± 0.3		APPR: KASAKAWA 2015/04/27						
	1 PLACE ±		DOCUMENT NUMBER						
	0 PLACES ±		SD-500593-001						
DRAFT WHERE APPLICABLE MUST REMAIN WITHIN DIMENSIONS			THIRD ANGLE PROJECTION		DRAWING	SERIES	MATERIAL NUMBER	CUSTOMER	DOC TYPE DOC PART REVISION
					A3-SIZE	500593	SEE CHART	GENERAL MARKET	PSD 001 C1
									SHEET NUMBER
									2 OF 2

DOCUMENT STATUS	P1	RELEASE DATE	2022/11/30	11:33:22
-----------------	----	--------------	------------	----------