

Micro Miniature Pushbuttons **FSMRAJ Series** "Horizontal Gang"

MATERIAL SPECIFICATIONS:

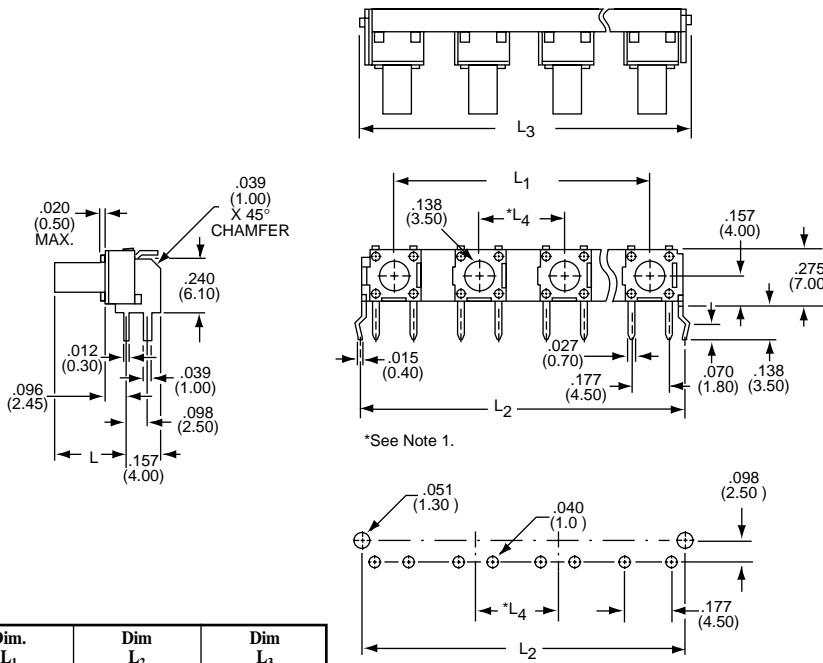
ContactsCopper alloy, silver plate
 Case.....Polyamide
 Actuator ButtonPolyacetal Resin
 FrameStainless Steel
 TerminalsCopper alloy, silver plate

TYPICAL PERFORMANCE CHARACTERISTICS:

Contact Rating50 mA @ 12 VDC
 Initial Contact Resistance.....100 Milliohms max.
 Insulation Resistance100 Megohms min. @ 100 VDC
 Dielectric Strength250 VAC
 Actuation ForceSee Below
 Actuator Travel012" (0,3)
 Life Expectancy100,000 Cycles

ENVIRONMENTAL SPECIFICATIONS

Operating Temperature.....-4°F to +158°F (-20°C to +70°C)
 Storage Temperature.....-22°F to +176°F (-30°C to +80°C)
 Solder Heat Resistance.....See Page M6



D

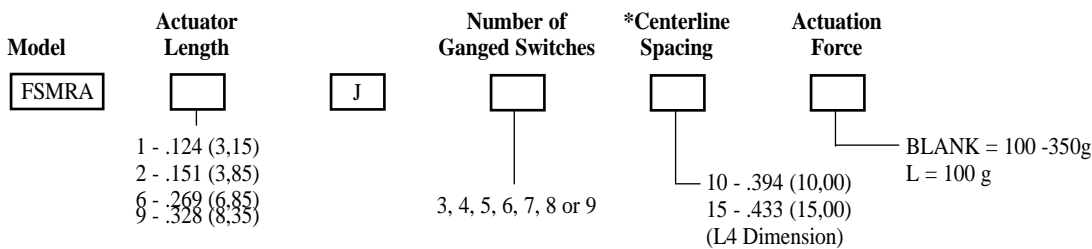
# of Positions	Dim. L ₁	Dim L ₂	Dim L ₃
3	.787" (20,00)	1.06" (27,00)	1.11" (28,19)
4	1.18" (30,00)	1.46" (37,00)	1.51" (38,35)
5	1.57" (40,00)	1.85" (47,00)	1.90" (48,26)
6	1.97" (50,00)	2.24" (57,00)	2.30" (58,42)
7	2.36" (60,00)	2.64" (67,00)	2.69" (68,32)
9	3.15" (80,00)	3.43" (87,00)	3.48" (88,40)

Type	Off	(On)
SPST	Off	(On)

(On) indicates momentary position.

*Note 1: L₄ = .394 (10,00) or .590 (15,00) Center line spacing

PART NUMBERING SEQUENCE



CONSULT FACTORY FOR OTHER OPTIONS

Need more technical information?

Consult your Thomas & Betts sales office listed on the back cover