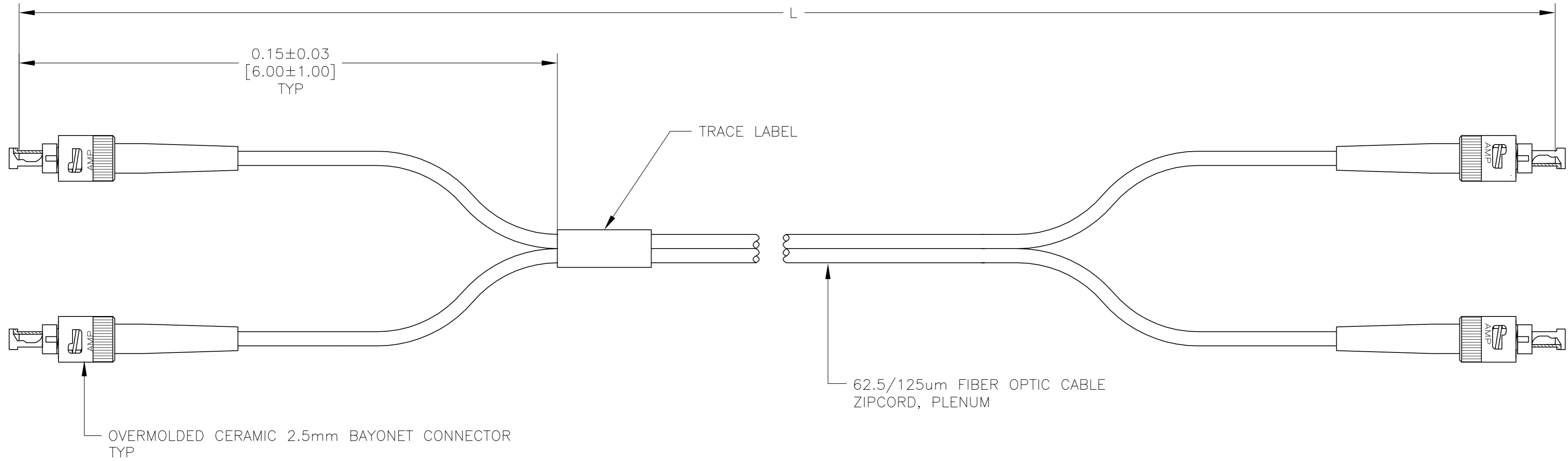


THIS DRAWING IS UNPUBLISHED. RELEASED FOR PUBLICATION
 © COPYRIGHT BY TYCO ELECTRONICS CORPORATION. ALL RIGHTS RESERVED.

LOC		DIST		REVISIONS			
P	LTR	DESCRIPTION		DATE	DWN	APVD	
CE	16	A1	ADD	-5,1-5,3-0,6-0	29DEC09	BB	JD



1. MAXIMUM CONNECTOR INSERTION LOSS IS 0.5dB PLUS CABLE ATTENUATION OF 1.5dB/km AT 1300nm (SEE TABLE)
2. PRODUCT AND PROCESSING MUST MEET REQUIREMENTS OF THE TYCO ELECTRONICS STANDARD 230-702

MAX IL (dB)	L METERS [INCHES]	PART NUMBER
0.65	100.0±1.00 [3937.0±39.0]	9-5503959-9
1.19	457.20±4.57 [18000.0±180.0]	9-5503959-8
1.05	365.76±3.65 [14400.0±144.0]	9-5503959-7
0.91	274.32±2.74 [10800.0±108.0]	9-5503959-6
0.77	182.88±1.82 [7200.0±72.0]	9-5503959-5
0.64	91.44±0.91 [3600.0±36.0]	9-5503959-4
0.59	60.00±0.60 [2362.0±24.0]	6-5503959-0
0.55	30.00±0.30 [1181.0±12.0]	3-5503959-0
0.52	15.00±0.15 [590.6±6.0]	1-5503959-5
0.52	10.00±0.15 [394.0±6.0]	5503959-7
0.51	8.00±0.15 [315.0±6.0]	5503959-6
0.51	5.00±0.08 [196.9±3.0]	5503959-5

THIS DRAWING IS A CONTROLLED DOCUMENT.		DWN C.S.VASU 01 FEB 06	Tyco Electronics Corporation Harrisburg, PA 17105-3608	
DIMENSIONS: METERS [INCHES]		CHK J.DUNCAN 01 FEB 06	NAME CABLE ASSEMBLY, FIBER OPTIC, 62.5/125um LDD PLENUM, OVERMOLDED CERAMIC BAYONET, OPTIMATE	
TOLERANCES UNLESS OTHERWISE SPECIFIED:		APVD J.DUNCAN 01 FEB 06	SIZE A2	
0 PLC ± - 1 PLC ± - 2 PLC ± - 3 PLC ± - 4 PLC ± - ANGLES ± -		PRODUCT SPEC APPLICATION SPEC	CAGE CODE 00779	DRAWING NO C=5503959
MATERIAL	FINISH	WEIGHT	SCALE NTS	SHEET 1 OF 1
-	-	-	REV A1	RESTRICTED TO
CUSTOMER DRAWING			REV A1	

5503959