



(images/product/Motor 35BYJ412.jpg)

## Small Size and High Torque Stepper Motor - 35BYJ412

SKU: 108990004



**WIO LINK is LIVE at Kickstarter!**

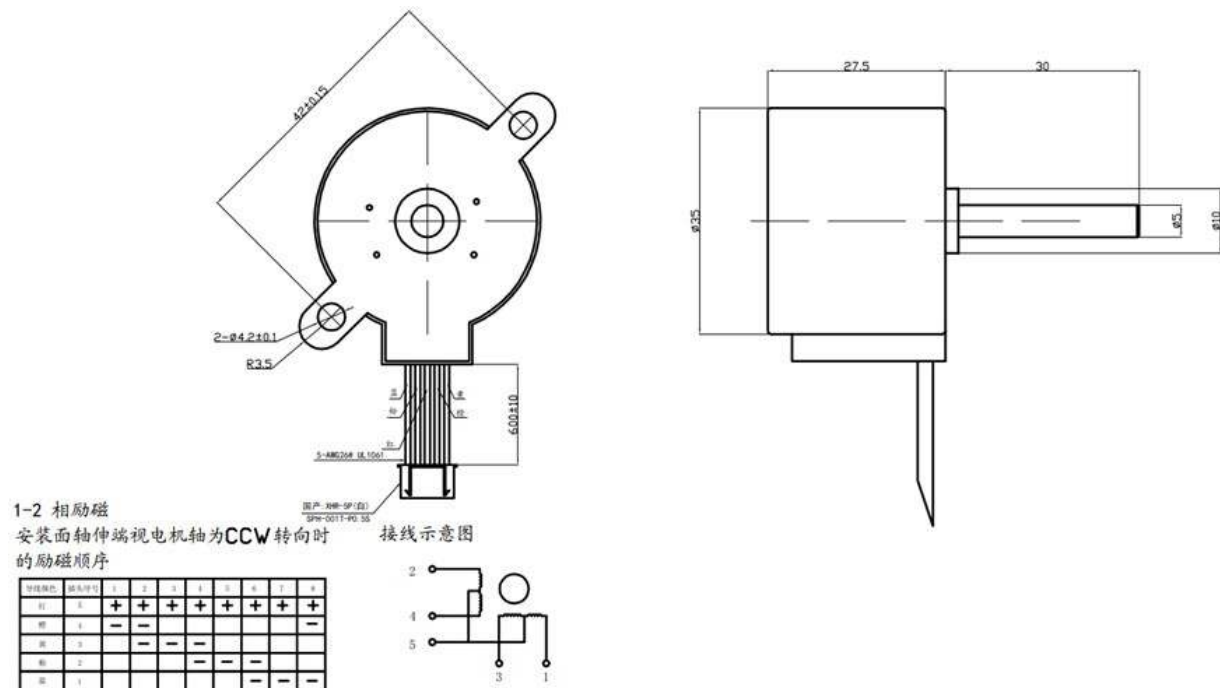
([https://www.kickstarter.com/projects/seeed/wio-link-3-steps-5-minutes-build-your-iot-applicat/description?ref=banner\\_depot](https://www.kickstarter.com/projects/seeed/wio-link-3-steps-5-minutes-build-your-iot-applicat/description?ref=banner_depot))

### Description

Small size and high torque, Mainly used in air conditioner louver, small cooling heating fan and Automatic curtains etc.

**Specification:**

- Phase: 4
- Step Angle: 3.75°/42.5
- Ratio: 1/42.5
- Voltage: 12V DC
- Resistance: 100ohm
- Idle In-traction Frequency:  $\geq 300\text{Hz}$
- Idle Out-traction Frequency:  $\geq 550\text{Hz}$
- In-traction Torque:  $\geq 3000\text{gf.cm}$
- Detent Torque:  $\geq 500\text{gf.cm}$
- insulating Dielectric strength: AC600v 1min
- Noise:  $< 40\text{dB}$
- Steering: CCW
- Weight: 80.5g



For any technical support or suggestion, please kindly go to our forum (<http://www.seedstudio.com/forum/viewforum.php?f=57>).

## Overview



(<http://www.seedstudio.com/depot/Shenzhen-2U-t-11.html?ref=pinfo>)

Designer:  
Others  
Other

Products From This Designer (<http://www.seeedstudio.com/depot/Others-m-24.html?ref=pinfo>)

Weight: 83 g