

1

2

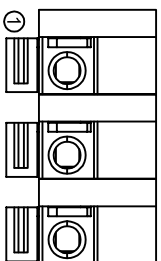
3

4

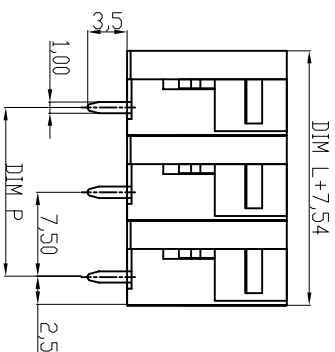
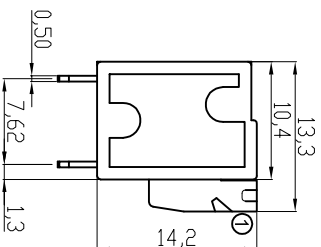
5

6

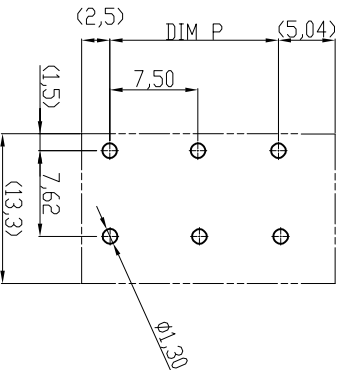
7



Material
Terminal body(Contact pin): Brass
Wire guard:Stainless steel
Surface of Solder tail:Tin plated
Terminal (housing): Thermoplastic (UL94V-0), GREEN(RAL6018/T)



Electrical cULus/VDE
Voltage rating: 300VAC/450VAC
Current rating: 10A/10A
Wire range: 0.75-1.5mm²
Solid wire(AWG): 14-24
Stranded wire(AWG): 14-24
Pull force:
Screw:
Wire strip length: 9-10mm
Withstanding Voltage: 1.6kV/2.5kV
Operating temperature: -40°C to +115°C
Soldering temperature: 250°C±10°C/5 Sec
Safety Approval: cULus VDE



RECOMMENDER PCB LAYOUT

DIMENSION

L	Nx7.5
P	(N-1)x7.5

N=Number of poles

Poles	Tolerance	DIM L	DIM P
2p-6p		±0.15	±0.10
7p-12p		±0.20	±0.20
13p-18p		±0.30	±0.25
19p-24p		±0.40	±0.30

Customer-No.

ASSMANN WSW-No.
A-TB750-HAXXV

Drawing-No.

ASS 4120 CO rev02



Replace

Sheet

Scale	Free	Id.	Modification	Date	Name
TOLERANCE					
X.	±0.50			19.04.2010	Alex
X.X	±0.30			19.04.2016	Winnie
X.XX	±0.10	②	Add the UL File No.	19.04.2016	Winnie
DIM	TOL	①	Update	16.04.2013	Amy
X.°	±1°	①	Drawn	19.04.2010	Alex
Angle	TOL				



File No.: E349947

RoHS compliant

Unit: mm

1

2

3

4

5

6

7

A B C D E F G H